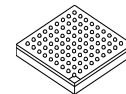


MCIMX6Y0DVM05AA MCIMX6Y1DVM05AA
MCIMX6Y1DVK05AA MCIMX6Y2DVM05AA
MCIMX6Y2DVM09AA MCIMX6Y7DVM09AA
MCIMX6Y7DVK05AA

i.MX 6ULL Applications Processors for Consumer Products



Package Information

Plastic Package
MAPBGA 14 x 14 mm, 0.8 mm pitch
MAPBGA 9 x 9 mm, 0.5 mm pitch

Ordering Information

See [Table 1 on page 3](#)

1 i.MX 6ULL Introduction

The i.MX 6ULL processors represent NXP's latest achievement in integrated multimedia-focused products offering high performance processing with a high degree of functional integration, targeted towards the growing market of connected devices.

The i.MX 6ULL is a high performance, ultra efficient processor family with featuring NXP's advanced implementation of the single ARM Cortex®-A7 core, which operates at speeds of up to 900 MHz. i.MX 6ULL includes integrated power management module that reduces the complexity of external power supply and simplifies the power sequencing. Each processor in this family provides various memory interfaces, including LPDDR2, DDR3, DDR3L, Raw and Managed NAND flash, NOR flash, eMMC, Quad SPI, and a wide range of other interfaces for connecting peripherals, such as WLAN, Bluetooth™, GPS, displays, and camera sensors.

| | |
|---|-----|
| 1. i.MX 6ULL Introduction | 1 |
| 1.1. Ordering Information | 3 |
| 1.2. Features | 6 |
| 2. Architectural Overview | 10 |
| 2.1. Block Diagram | 10 |
| 3. Modules List | 11 |
| 3.1. Special Signal Considerations | 18 |
| 3.2. Recommended Connections for Unused Analog Interfaces | 19 |
| 4. Electrical Characteristics | 21 |
| 4.1. Chip-Level Conditions | 21 |
| 4.2. Power Supplies Requirements and Restrictions | 31 |
| 4.3. Integrated LDO Voltage Regulator Parameters | 32 |
| 4.4. PLL's Electrical Characteristics | 34 |
| 4.5. On-Chip Oscillators | 35 |
| 4.6. I/O DC Parameters | 36 |
| 4.7. I/O AC Parameters | 40 |
| 4.8. Output Buffer Impedance Parameters | 43 |
| 4.9. System Modules Timing | 45 |
| 4.10. Multi-Mode DDR Controller (MMDC) | 57 |
| 4.11. General-Purpose Media Interface (GPMI) Timing | 58 |
| 4.12. External Peripheral Interface Parameters | 66 |
| 4.13. A/D converter | 98 |
| 5. Boot Mode Configuration | 103 |
| 5.1. Boot Mode Configuration Pins | 103 |
| 5.2. Boot Device Interface Allocation | 104 |
| 6. Package Information and Contact Assignments | 111 |
| 6.1. 14 x 14 mm Package Information | 111 |
| 6.2. 9 x 9 mm Package Information | 124 |
| 7. Revision History | 138 |

The i.MX 6ULL processors are specifically useful for applications such as:

- Telematics
- Audio playback
- Connected devices
- IoT Gateway
- Access control panels
- Human Machine Interfaces (HMI)
- Portable medical and health care
- IP phones
- Smart appliances
- eReaders

The features of the i.MX 6ULL processors include:

- Single-core ARM Cortex-A7—The single core A7 provides a cost-effective and power-efficient solution.
- Multilevel memory system—The multilevel memory system of processor is based on the L1 instruction and data caches, L2 cache, and internal and external memory. The processor supports many types of external memory devices, including DDR3, low voltage DDR3, LPDDR2, NOR Flash, NAND Flash (MLC and SLC), OneNAND™, Quad SPI, and managed NAND, including eMMC up to rev 4.4/4.41/4.5.
- Smart speed technology—Power management implemented throughout the IC that enables multimedia features and peripherals to consume minimum power in both active and various low power modes.
- Dynamic voltage and frequency scaling—The power efficiency of devices by scaling the voltage and frequency to optimize performance.
- Multimedia powerhouse—The multimedia performance of processor is enhanced by a multilevel cache system, NEON™ MPE (Media Processor Engine) co-processor, a programmable smart DMA (SDMA) controller, an asynchronous audio sample rate converter, an Electrophoretic Display (EPD) controller, and a Pixel processing pipeline (PXP) to support 2D image processing, including color-space conversion, scaling, alpha-blending, and rotation.
- 2x Ethernet interfaces—2x 10/100 Mbps Ethernet controllers.
- Human-machine interface—Each processor supports one digital parallel display interface.
- Interface flexibility—Each processor supports connections to a variety of interfaces: two high-speed USB on-the-go with PHY, multiple expansion card ports (high-speed MMC/SDIO host and other), two 12-bit ADC modules with up to 10 total input channels and two CAN ports.
- Advanced security—The processors deliver hardware-enabled security features that enable secure e-commerce, digital rights management (DRM), information encryption, secure boot, AES-128 encryption, SHA-1, SHA-256 HW acceleration engine, and secure software downloads. The security features are discussed in the *i.MX 6ULL Security Reference Manual* (IMX6ULLSRM).

- Integrated power management—The processors integrate linear regulators and internally generate voltage levels for different domains. This significantly simplifies system power management structure.

For a comprehensive list of the i.MX 6ULL features, see [Section 1.2, “Features”](#).

1.1 Ordering Information

[Table 1](#) provides examples of orderable part numbers covered by this data sheet.

Table 1. Ordering Information

| Part Number | Feature | Package | Junction Temperature T _j (°C) |
|-----------------|---|---------------------------------|--|
| MCIMX6Y0DVM05AA | Features supports: <ul style="list-style-type: none"> • 528 MHz, commercial grade for general purpose • No security • No LCD/CSI • No CAN • Ethernet x1 • USB OTG x1 • ADC x1 • UART x4 • SAI x1 • No ESAI • Timer x2 • PWM x4 • I2C x2 • SPI x2 | 14 x 14 mm, 0.8 pitch MAPBGA | 0 to +95 |
| MCIMX6Y1DVM05AA | Features supports: <ul style="list-style-type: none"> • 528 MHz, commercial grade for general purpose • Basic security • No LCD/CSI • CAN x1 • Ethernet x1 • USB OTG x2 • ADC x1 • UART x8 • SAI x3 • ESAI x1 • Timer x4 • PWM x8 • I2C x4 • SPI x4 | 14 x 14 mm, 0.8 pitch MAPBGA | 0 to +95 |

Table 1. Ordering Information

| Part Number | Feature | Package | Junction Temperature T _j (°C) |
|-----------------|---|---------------------------------|--|
| MCIMX6Y2DVM05AA | Features supports: <ul style="list-style-type: none"> • 528 MHz, commercial grade for general purpose • Basic security • With LCD/CSI • CAN x2 • Ethernet x2 • USB OTG x2 • ADC x2 • UART x8 • SAI x3 • ESAI x1 • Timer x4 • PWM x8 • I2C x4 • SPI x4 | 14 x 14 mm, 0.8 pitch MAPBGA | 0 to +95 |
| MCIMX6Y1DVK05AA | Features supports: <ul style="list-style-type: none"> • 528 MHz, commercial grade for general purpose • Basic security • No LCD/CSI • CAN x1 • Ethernet x1 • USB OTG x2 • ADC x1 • UART x8 • SAI x3 • ESAI x1 • Timer x4 • PWM x8 • I2C x4 • SPI x4 | 9 x 9 mm, 0.5 pitch MAPBGA | 0 to +95 |
| MCIMX6Y7DVK05AA | Features supports: <ul style="list-style-type: none"> • 528 MHz, commercial grade for general purpose • Basic security • With LCD/CSI • EPDC • No CAN • Ethernet x1 • USB OTG x2 • ADC x2 • UART x4 • SAI x3 • ESAI x1 • Timer x4 • PWM x4 • I2C x4 • SPI x4 | 9 x 9 mm, 0.5 pitch MAPBGA | 0 to +95 |

Table 1. Ordering Information

| Part Number | Feature | Package | Junction Temperature T _j (°C) |
|-----------------|---|--------------------------------|--|
| MCIMX6Y2DVM09AA | Features supports: <ul style="list-style-type: none"> • 900 MHz, commercial grade for general purpose • Basic security • With LCD/CSI • CAN x2 • Ethernet x2 • USB OTG x2 • ADC x2 • UART x8 • SAI x3 • ESAI x1 • Timer x4 • PWM x8 • I2C x4 • SPI x4 | 14 x 14mm, 0.8 pitch MAPBGA | 0 to +95 |
| MCIMX6Y7DVM09AA | Features supports: <ul style="list-style-type: none"> • 900 MHz, commercial grade for general purpose • Basic security • With LCD/CSI • EPDC • No CAN • Ethernet x1 • USB OTG x2 • ADC x2 • UART x4 • SAI x3 • ESAI x1 • Timer x4 • PWM x4 • I2C x4 • SPI x4 | 14 x 14mm, 0.8 pitch MAPBGA | 0 to +95 |

Figure 1 describes the part number nomenclature so that the users can identify the characteristics of the specific part number they have (for example, cores, frequency, temperature grade, fuse options, and silicon revision). The primary characteristic which describes which data sheet applies to a specific part is the temperature grade (junction) field.

- The i.MX 6ULL Applications Processors for Consumer Products Data Sheet (IMX6ULLCEC) covers parts listed with a “D (Commercial temp)”

Ensure to have the proper data sheet for specific part by verifying the temperature grade (junction) field and matching it to the proper data sheet. If there will be any questions, visit the web page NXP.com/imx6series or contact a NXP representative for details.

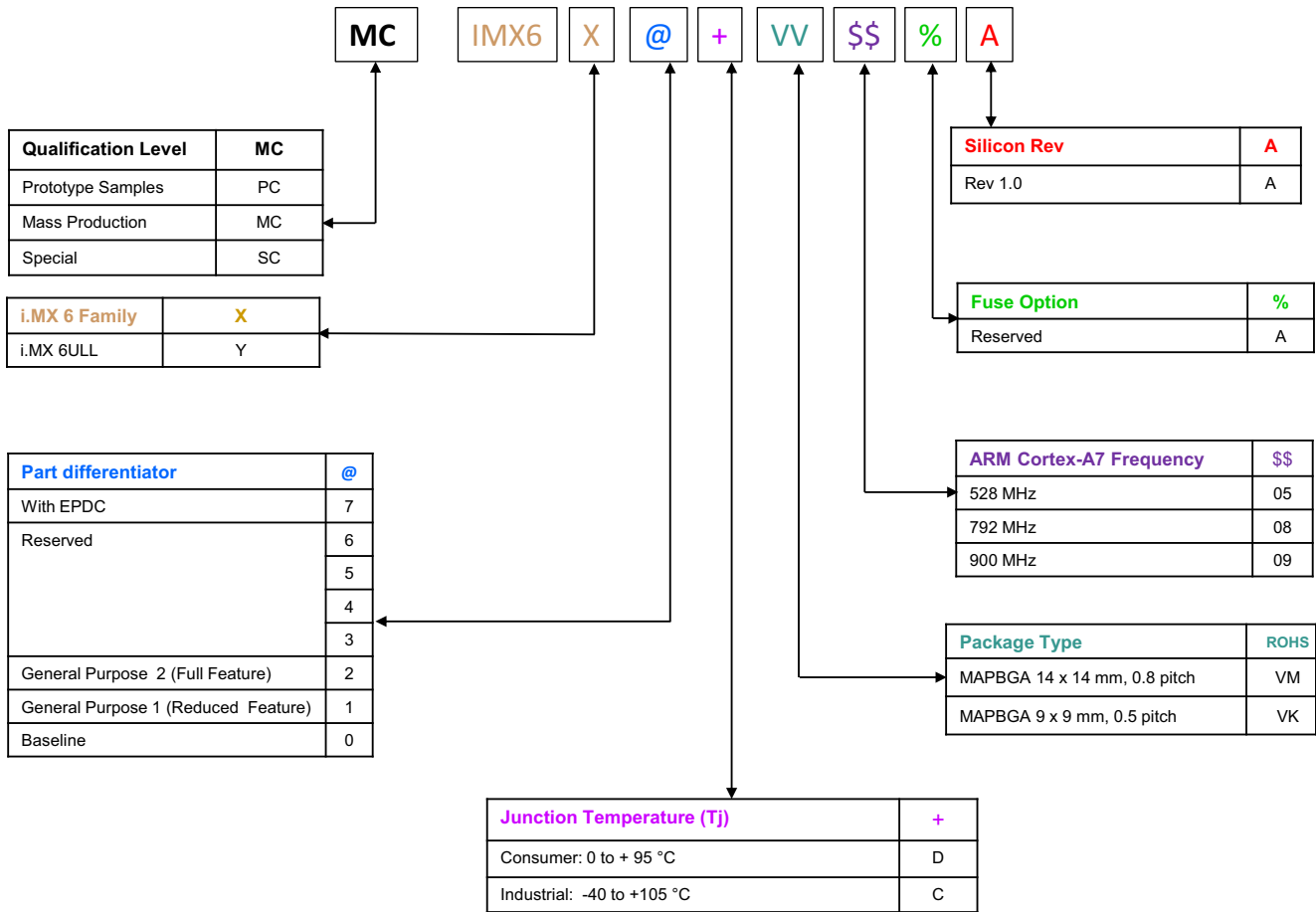


Figure 1. Part Number Nomenclature—i.MX 6ULL

1.2 Features

The i.MX 6ULL processors are based on ARM Cortex-A7 MPCore™ Platform, which has the following features:

- Supports single ARM Cortex-A7 MPCore (with TrustZone) with:
 - 32 KB L1 Instruction Cache
 - 32 KB L1 Data Cache
 - Private Timer and Watchdog
 - Cortex-A7 NEON Media Processing Engine (MPE) Co-processor
- General Interrupt Controller (GIC) with 128 interrupts support
- Global Timer
- Snoop Control Unit (SCU)
- 128 KB unified I/D L2 cache
- Single Master AXI bus interface output of L2 cache

- Frequency of the core (including Neon and L1 cache), as per [Table 10, "Operating Ranges," on page 24](#).
- NEON MPE coprocessor
 - SIMD Media Processing Architecture
 - NEON register file with 32x64-bit general-purpose registers
 - NEON Integer execute pipeline (ALU, Shift, MAC)
 - NEON dual, single-precision floating point execute pipeline (FADD, FMUL)
 - NEON load/store and permute pipeline
 - 32 double-precision VFPv3 floating point registers

The SoC-level memory system consists of the following additional components:

- Boot ROM, including HAB (96 KB)
- Internal multimedia/shared, fast access RAM (OCRAM, 128 KB)
- External memory interfaces: The i.MX 6ULL processors support latest, high volume, cost effective handheld DRAM, NOR, and NAND Flash memory standards.
 - 16-bit LP-DDR2-800, 16-bit DDR3-800 and DDR3L-800
 - 8-bit NAND-Flash, including support for Raw MLC/SLC, 2 KB, 4 KB, and 8 KB page size, BA-NAND, PBA-NAND, LBA-NAND, OneNAND™ and others. BCH ECC up to 40 bits.
 - 16/8-bit NOR Flash. All EIMv2 pins are muxed on other interfaces.

Each i.MX 6ULL processor enables the following interfaces to external devices (some of them are muxed and not available simultaneously):

- Displays:
 - One parallel display port, support max 85 MHz display clock and up to WXGA (1366 x 768) at 60 Hz
 - Support 24-bit, 18-bit, 16-bit, and 8-bit parallel display
 - Electrophoretic display controller support direct-driver for E-Ink EPD panel, with up to 2048x1536 resolution at 106 Hz
- Camera sensors:
 - One parallel camera port, up to 24 bit and 133.3 MHz pixel clock
 - Support 24-bit, 16-bit, 10-bit, and 8-bit input
 - Support BT.656 interface
- Expansion cards:
 - Two MMC/SD/SDIO card ports all supporting:
 - 1-bit or 4-bit transfer mode specifications for SD and SDIO cards up to UHS-I SDR-104 mode (104 MB/s max)
 - 1-bit, 4-bit, or 8-bit transfer mode specifications for MMC cards up to 52 MHz in both SDR and DDR modes (104 MB/s max)
 - 4-bit or 8-bit transfer mode specifications for eMMC chips up to 200 MHz in HS200 mode (200 MB/s max)

i.MX 6ULL Introduction

- USB:
 - Two high speed (HS) USB 2.0 OTG (Up to 480 Mbps), with integrated HS USB PHY
- Miscellaneous IPs and interfaces:
 - Three I2S/SAI/AC97, up to 1.4 Mbps each
 - ESAI
 - Sony Philips Digital Interface Format (SPDIF), Rx and Tx
 - Eight UARTs, up to 5.0 Mbps each:
 - Providing RS232 interface
 - Supporting 9-bit RS485 multidrop mode
 - Support RTS/CTS for hardware flow control
 - Four eCSPI (Enhanced CSPI), up to 52 Mbps each
 - Four I²C, supports 400 kbps
 - Two 10/100 Ethernet Controller (IEEE1588 compliant)
 - Eight Pulse Width Modulators (PWM)
 - System JTAG Controller (SJC)
 - GPIO with interrupt capabilities
 - 8x8 Key Pad Port (KPP)
 - One Quad SPI to connect to serial NOR flash
 - Two Flexible Controller Area Network (FlexCAN)
 - Three Watchdog timers (WDOG)
 - 8-bit/10-bit/12-bit/16-bit camera interface
 - Two 12-bit Analog to Digital Converters (ADC) with up to 10 input channels in total

The i.MX 6ULL processors integrate advanced power management unit and controllers:

- Provide PMU, including LDO supplies, for on-chip resources
- Use Temperature Sensor for monitoring the die temperature
- Use Voltage Sensor for monitoring the die voltage
- Support DVFS techniques for low power modes
- Use SW State Retention and Power Gating for ARM and NEON
- Support various levels of system power modes
- Use flexible clock gating control scheme

The i.MX 6ULL processors use dedicated hardware accelerators to meet the targeted multimedia performance. The use of hardware accelerators is a key factor in obtaining high performance at low power consumption numbers, while having the CPU core relatively free for performing other tasks.

The i.MX 6ULL processors incorporate the following hardware accelerators:

- PXP—Pixel Processing Pipeline for image resize, rotation, overlay and CSC. Off loading key pixel processing operations are required to support the LCD display applications.
- ASRC—Asynchronous Sample Rate Converter

Security functions are enabled and accelerated by the following hardware:

- ARM TrustZone including the TZ architecture (separation of interrupts, memory mapping, etc.)
- SJC—System JTAG Controller. Protecting JTAG from debug port attacks by regulating or blocking the access to the system debug features.
- SNVS—Secure Non-Volatile Storage, including Secure Real Time Clock, both active tamper and passive tamper detection logic has up to 10 tamper inputs. Voltage monitor, temperature monitor, and clock frequency monitor protects the secure key storage.
- CSU—Central Security Unit. Enhancement for the IC Identification Module (IIM). Will be configured during boot and by eFUSES and will determine the security level operation mode as well as the TZ policy.
- A-HAB—Advanced High Assurance Boot—HABv4 with the new embedded enhancements: AES-128 encryption, SHA-1, and SHA-256 HW acceleration engine, 2048-bit RSA key, version control mechanism, warm boot, CSU, and TZ initialization.

NOTE

The actual feature set depends on the part numbers as described in [Table 1](#). Functions, such as display and camera interfaces, connectivity interfaces.

2 Architectural Overview

The following subsections provide an architectural overview of the i.MX 6ULL processor system.

2.1 Block Diagram

Figure 2 shows the functional modules in the i.MX 6ULL processor system.

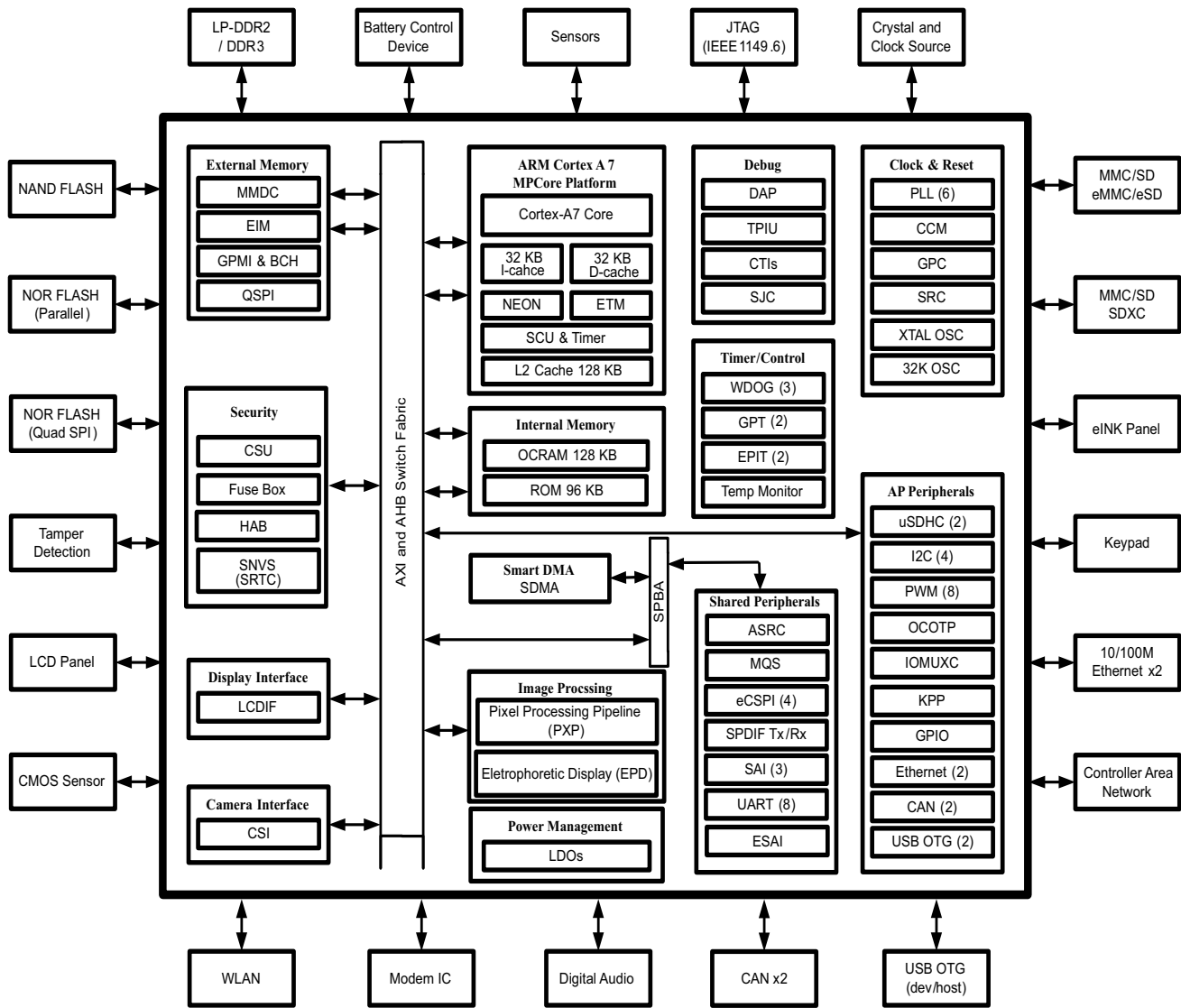


Figure 2. i.MX 6ULL System Block Diagram

3 Modules List

The i.MX 6ULL processors contain a variety of digital and analog modules. [Table 2](#) describes these modules in alphabetical order.

Table 2. i.MX 6ULL Modules List

| Block Mnemonic | Block Name | Subsystem | Brief Description |
|-------------------|---|-----------------------------------|--|
| ADC1 ADC2 | Analog to Digital Converter | — | The ADC is a 12-bit general purpose analog to digital converter. |
| ARM | ARM Platform | ARM | The ARM Core Platform includes 1x Cortex-A7 core. It also includes associated sub-blocks, such as the Level 2 Cache Controller, SCU (Snoop Control Unit), GIC (General Interrupt Controller), private timers, watchdog, and CoreSight debug modules. |
| ASRC | Asynchronous Sample Rate Converter | Multimedia Peripherals | The Asynchronous Sample Rate Converter (ASRC) converts the sampling rate of a signal associated to an input clock into a signal associated to a different output clock. The ASRC supports concurrent sample rate conversion of up to 10 channels of about -120dB THD+N. The sample rate conversion of each channel is associated to a pair of incoming and outgoing sampling rates. The ASRC supports up to three sampling rate pairs. |
| BCH | Binary-BCH ECC Processor | System Control Peripherals | The BCH module provides up to 40-bit ECC encryption/decryption for NAND Flash controller (GPMI) |
| CCM GPC SRC | Clock Control Module, General Power Controller, System Reset Controller | Clocks, Resets, and Power Control | These modules are responsible for clock and reset distribution in the system, and also for the system power management. |
| CSI | Parallel CSI | Multimedia Peripherals | The CSI IP provides parallel CSI standard camera interface port. The CSI parallel data ports are up to 24 bits. It is designed to support 24-bit RGB888/YUV444, CCIR656 video interface, 8-bit YCbCr, YUV or RGB, and 8-bit/10-bit/16-bit Bayer data input. |
| CSU | Central Security Unit | Security | The Central Security Unit (CSU) is responsible for setting comprehensive security policy within the i.MX 6ULL platform. |
| DAP | Debug Access Port | System Control Peripherals | The DAP provides real-time access for the debugger without halting the core to: <ul style="list-style-type: none"> • System memory and peripheral registers • All debug configuration registers The DAP also provides debugger access to JTAG scan chains. The DAP module is internal to the Cortex-A7 Core Platform. |

Table 2. i.MX 6ULL Modules List (continued)

| Block Mnemonic | Block Name | Subsystem | Brief Description |
|--------------------------------------|------------------------------------|-----------------------------|--|
| DCP | Data co-processor | Security | This module provides support for general encryption and hashing functions typically used for security functions. Because its basic job is moving data from memory to memory, it also incorporates a memory-copy (memcpy) function for both debugging and as a more efficient method of copying data between memory blocks than the DMA-based approach. |
| eCSPI1 eCSPI2 eCSPI3 eCSPI4 | Configurable SPI | Connectivity Peripherals | Full-duplex enhanced Synchronous Serial Interface, with data rate up to 52 Mbit/s. It is configurable to support Master/Slave modes, four chip selects to support multiple peripherals. |
| EIM | NOR-Flash /PSRAM interface | Connectivity Peripherals | The EIM NOR-FLASH / PSRAM provides: <ul style="list-style-type: none"> • Support 16-bit (in muxed IO mode only) PSRAM memories (sync and async operating modes), at slow frequency • Support 16-bit (in muxed IO mode only) NOR-Flash memories, at slow frequency • Multiple chip selects |
| ENET1 ENET2 | Ethernet Controller | Connectivity Peripherals | The Ethernet Media Access Controller (MAC) is designed to support 10/100 Mbit/s Ethernet/IEEE 802.3 networks. An external transceiver interface and transceiver function are required to complete the interface to the media. The module has dedicated hardware to support the IEEE 1588 standard. See the ENET chapter of the reference manual for details. |
| EPDC | Electrophoretic Display Controller | Multimedia Peripherals | The EPDC is a feature-rich, low power, and high performance direct-drive active matrix EPD controller. It is specially designed to drive E-INK™ EPD panels, supporting a wide variety of TFT backplanes. |
| EPIT1 EPIT2 | Enhanced Periodic Interrupt Timer | Timer Peripherals | Each EPIT is a 32-bit “set and forget” timer that starts counting after the EPIT is enabled by software. It is capable of providing precise interrupts at regular intervals with minimal processor intervention. It has a 12-bit prescaler for division of input clock frequency to get the required time setting for the interrupts to occur, and counter value can be programmed on the fly. |

Table 2. i.MX 6ULL Modules List (continued)

| Block Mnemonic | Block Name | Subsystem | Brief Description |
|---|----------------------------------|-------------------------------|---|
| ESAI | Enhanced Serial Audio Interface | Connectivity Peripherals | The Enhanced Serial Audio Interface (ESAI) provides a full-duplex serial port for serial communication with a variety of serial devices, including industry-standard codecs, SPDIF transceivers, and other processors. The ESAI consists of independent transmitter and receiver sections, each section with its own clock generator. All serial transfers are synchronized to a clock. Additional synchronization signals are used to delineate the word frames. The normal mode of operation is used to transfer data at a periodic rate, one word per period. The network mode is also intended for periodic transfers; however, it supports up to 32 words (time slots) per period. This mode can be used to build time division multiplexed (TDM) networks. In contrast, the on-demand mode is intended for non-periodic transfers of data and to transfer data serially at high speed when the data becomes available. The ESAI has 12 pins for data and clocking connection to external devices. |
| FLEXCAN1 FLEXCAN2 | Flexible Controller Area Network | Connectivity Peripherals | The CAN protocol was primarily, but not only, designed to be used as a vehicle serial data bus, meeting the specific requirements of this field: real-time processing, reliable operation in the Electromagnetic interference (EMI) environment of a vehicle, cost-effectiveness and required bandwidth. The FlexCAN module is a full implementation of the CAN protocol specification, Version 2.0 B, which supports both standard and extended message frames. |
| GPIO1 GPIO2 GPIO3 GPIO4 GPIO5 | General Purpose I/O Modules | System Control Peripherals | Used for general purpose input/output to external ICs. Each GPIO module supports 32 bits of I/O. |
| GPMI | General Purpose Memory Interface | Connectivity Peripherals | The GPMI module supports up to 8x NAND devices and 40-bit ECC encryption/decryption for NAND Flash Controller (GPMI2). GPMI supports separate DMA channels for each NAND device. |
| GPT1 GPT2 | General Purpose Timer | Timer peripherals | Each GPT is a 32-bit “free-running” or “set and forget” mode timer with programmable prescaler and compare and capture register. A timer counter value can be captured using an external event and can be configured to trigger a capture event on either the leading or trailing edges of an input pulse. When the timer is configured to operate in “set and forget” mode, it is capable of providing precise interrupts at regular intervals with minimal processor intervention. The counter has output compare logic to provide the status and interrupt at comparison. This timer can be configured to run either on an external clock or on an internal clock. |

Table 2. i.MX 6ULL Modules List (continued)

| Block Mnemonic | Block Name | Subsystem | Brief Description |
|--|---------------------------|--------------------------|---|
| LCDIF | LCD interface | Connectivity peripherals | The LCDIF is a general purpose display controller used to drive a wide range of display devices varying in size and capability. The LCDIF is designed to support dumb (synchronous 24-bit Parallel RGB interface) and smart (asynchronous parallel MPU interface) LCD devices. |
| MQS | Medium Quality Sound | Multimedia Peripherals | MQS is used to generate 2-channel medium quality PWM-like audio via two standard digital GPIO pins. |
| PWM1 PWM2 PWM3 PWM4 PWM5 PWM6 PWM7 PWM8 | Pulse Width Modulation | Connectivity peripherals | The pulse-width modulator (PWM) has a 16-bit counter and is optimized to generate sound from stored sample audio images and it can also generate tones. It uses 16-bit resolution and a 4x16 data FIFO to generate sound. |
| PXP | Pixel Processing Pipeline | Display peripherals | A high-performance pixel processor capable of 1 pixel/clock performance for combined operations, such as color-space conversion, alpha blending, gamma-mapping, and rotation. The PXP is enhanced with features specifically for gray scale applications. In addition, the PXP supports traditional pixel/frame processing paths for still-image and video processing applications, allowing it to interface with the integrated EPD. |
| RNGB | Random Number Generator | Security | Random number generating module. |
| QSPI | Quad SPI | Connectivity peripherals | Quad SPI module acts as an interface to external serial flash devices. This module contains the following features: <ul style="list-style-type: none"> • Flexible sequence engine to support various flash vendor devices • Single pad/Dual pad/Quad pad mode of operation • Single Data Rate/Double Data Rate mode of operation • Parallel Flash mode • DMA support • Memory mapped read access to connected flash devices • Multi-master access with priority and flexible and configurable buffer for each master |
| SAI1 SAI2 SAI3 | — | — | The SAI module provides a synchronous audio interface (SAI) that supports full duplex serial interfaces with frame synchronization, such as I2S, AC97, TDM, and codec/DSP interfaces. |

Table 2. i.MX 6ULL Modules List (continued)

| Block Mnemonic | Block Name | Subsystem | Brief Description |
|----------------|--|----------------------------|--|
| SDMA | Smart Direct Memory Access | System Control Peripherals | <p>The SDMA is multi-channel flexible DMA engine. It helps in maximizing system performance by off-loading the various cores in dynamic data routing. It has the following features:</p> <ul style="list-style-type: none"> • Powered by a 16-bit Instruction-Set micro-RISC engine • Multi-channel DMA supporting up to 32 time-division multiplexed DMA channels • 48 events with total flexibility to trigger any combination of channels • Memory accesses including linear, FIFO, and 2D addressing • Shared peripherals between ARM and SDMA • Very fast Context-Switching with 2-level priority based preemptive multi-tasking • DMA units with auto-flush and prefetch capability • Flexible address management for DMA transfers (increment, decrement, and no address changes on source and destination address) • DMA ports can handle unit-directional and bi-directional flows (copy mode) • Up to 8-word buffer for configurable burst transfers for EMLv2.5 • Support of byte-swapping and CRC calculations • Library of Scripts and API is available |
| SJC | System JTAG Controller | System Control Peripherals | <p>The SJC provides JTAG interface, which complies with JTAG TAP standards, to internal logic. The i.MX 6ULL processors use JTAG port for production, testing, and system debugging. In addition, the SJC provides BSR (Boundary Scan Register) standard support, which complies with IEEE1149.1 and IEEE1149.6 standards. The JTAG port must be accessible during platform initial laboratory bring-up, for manufacturing tests and troubleshooting, as well as for software debugging by authorized entities. The i.MX 6ULL SJC incorporates three security modes for protecting against unauthorized accesses. Modes are selected through eFUSE configuration.</p> |
| SNVS | Secure Non-Volatile Storage | Security | Secure Non-Volatile Storage, including Secure Real Time Clock, Security State Machine, Master Key Control, and Violation/Tamper Detection and reporting. |
| SPDIF | Sony Philips Digital Interconnect Format | Multimedia Peripherals | A standard audio file transfer format, developed jointly by the Sony and Phillips corporations. Has Transmitter and Receiver functionality. |
| System Counter | — | — | The system counter module is a programmable system counter which provides a shared time base to the Cortex A series cores as part of ARM's generic timer architecture. It is intended for use in application where the counter is always powered on and supports multiple, unrelated clocks. |

Table 2. i.MX 6ULL Modules List (continued)

| Block Mnemonic | Block Name | Subsystem | Brief Description |
|--|--|-----------------------------|--|
| TSC | Touch Screen | Touch Controller | With touch controller to support 4-wire and 5-wire resistive touch panel. |
| TZASC | Trust-Zone Address Space Controller | Security | The TZASC (TZC-380 by ARM) provides security address region control functions required for intended application. It is used on the path to the DRAM controller. |
| UART1 UART2 UART3 UART4 UART5 UART6 UART7 UART8 | UART Interface | Connectivity Peripherals | Each of the UARTv2 module supports the following serial data transmit/receive protocols and configurations: <ul style="list-style-type: none"> • 7- or 8-bit data words, 1 or 2 stop bits, programmable parity (even, odd or none) • Programmable baud rates up to 5 Mbps. • 32-byte FIFO on Tx and 32 half-word FIFO on Rx supporting auto-baud |
| uSDHC1 uSDHC2 | SD/MMC and SDXC Enhanced Multi-Media Card / Secure Digital Host Controller | Connectivity Peripherals | <p>i.MX 6ULL specific SoC characteristics: All four MMC/SD/SDIO controller IPs are identical and are based on the uSDHC IP. They are:</p> <ul style="list-style-type: none"> • Fully compliant with MMC command/response sets and Physical Layer as defined in the Multimedia Card System Specification, v4.5/4.2/4.3/4.4/4.41/ including high-capacity (size > 2 GB) cards HC MMC. • Fully compliant with SD command/response sets and Physical Layer as defined in the SD Memory Card Specifications, v3.0 including high-capacity SDXC cards up to 2 TB. • Fully compliant with SDIO command/response sets and interrupt/read-wait mode as defined in the SDIO Card Specification, Part E1, v3.0 <p>Two ports support:</p> <ul style="list-style-type: none"> • 1-bit or 4-bit transfer mode specifications for SD and SDIO cards up to UHS-I SDR104 mode (104 MB/s max) • 1-bit, 4-bit, or 8-bit transfer mode specifications for MMC cards up to 52 MHz in both SDR and DDR modes (104 MB/s max) • 4-bit or 8-bit transfer mode specifications for eMMC chips up to 200 MHz in HS200 mode (200 MB/s max) <p>However, the SoC level integration and I/O muxing logic restrict the functionality to the following:</p> <ul style="list-style-type: none"> • Instances #1 and #2 are primarily intended to serve as interfaces to on-board peripherals. These ports are equipped with “Card detection” and “Write Protection” pads and do not support hardware reset. • All ports can work with 1.8 V and 3.3 V cards. There are two completely independent I/O power domains for Ports #1 and #2 in four bit configuration (SD interface). |

Table 2. i.MX 6ULL Modules List (continued)

| Block Mnemonic | Block Name | Subsystem | Brief Description |
|----------------|--------------------------|-----------------------------|---|
| USB | Universal Serial Bus 2.0 | Connectivity Peripherals | USBO2 (USB OTG1 and USB OTG2) contains: <ul style="list-style-type: none"> • Two high-speed OTG 2.0 modules with integrated HS USB PHYs • Support eight Transmit (TX) and eight Receive (Rx) endpoints, including endpoint 0 |
| WDOG1 WDOG3 | Watch Dog | Timer Peripherals | The Watch Dog Timer supports two comparison points during each counting period. Each of the comparison points is configurable to evoke an interrupt to the ARM core, and a second point evokes an external event on the WDOG line. |
| WDOG2 (TZ) | Watch Dog (TrustZone) | Timer Peripherals | The TrustZone Watchdog (TZ WDOG) timer module protects against TrustZone starvation by providing a method of escaping normal mode and forcing a switch to the TZ mode. TZ starvation is a situation where the normal OS prevents switching to the TZ mode. Such situation is undesirable as it can compromise the system's security. Once the TZ WDOG module is activated, it must be serviced by TZ software on a periodic basis. If servicing does not take place, the timer times out. Upon a time-out, the TZ WDOG asserts a TZ mapped interrupt that forces switching to the TZ mode. If it is still not served, the TZ WDOG asserts a security violation signal to the CSU. The TZ WDOG module cannot be programmed or deactivated by a normal mode SW. |

3.1 Special Signal Considerations

Table 3 lists special signal considerations for the i.MX 6ULL processors. The signal names are listed in alphabetical order.

The package contact assignments can be found in Section 6, “Package Information and Contact Assignments.” Signal descriptions are provided in the *i.MX 6ULL Reference Manual* (IMX6ULLRM).

Table 3. Special Signal Considerations

| Signal Name | Remarks |
|---------------------------|--|
| CCM_CLK1_P/ CCM_CLK1_N | <p>One general purpose differential high speed clock Input/output is provided. It can be used:</p> <ul style="list-style-type: none"> To feed external reference clock to the PLLs and further to the modules inside SoC. To output internal SoC clock to be used outside the SoC as either reference clock or as a functional clock for peripherals. <p>See the <i>i.MX 6ULL Reference Manual</i> (IMX6ULLRM) for details on the respective clock trees. Alternatively one may use single ended signal to drive CLK1_P input. In this case corresponding CLK1_N input should be tied to the constant voltage level equal 1/2 of the input signal swing. Termination should be provided in case of high frequency signals. After initialization, the CLK1 input/output can be disabled (if not used). If unused, either or both of the CLK1_N/P pairs may remain unconnected.</p> |
| RTC_XTALI/RTC_XTALO | <p>If the user wishes to configure RTC_XTALI and RTC_XTALO as an RTC oscillator, a 32.768 kHz crystal, (≤ 100 kΩ ESR, 10 pF load) should be connected between RTC_XTALI and RTC_XTALO. Keep in mind the capacitors implemented on either side of the crystal are about twice the crystal load capacitor. To hit the exact oscillation frequency, the board capacitors need to be reduced to account for board and chip parasitics. The integrated oscillation amplifier is self biasing, but relatively weak. Care must be taken to limit parasitic leakage from RTC_XTALI and RTC_XTALO to either power or ground (>100 MΩ). This will debias the amplifier and cause a reduction of startup margin. Typically RTC_XTALI and RTC_XTALO should bias to approximately 0.5 V. If it is desired to feed an external low frequency clock into RTC_XTALI the RTC_XTALO pin should be remain unconnected or driven with a complimentary signal. The logic level of this forcing clock should not exceed VDD_SNVS_CAP level and the frequency should be <100 kHz under typical conditions.</p> <p>In case when high accuracy real time clock are not required, system may use internal low frequency ring oscillator. It is recommended to connect RTC_XTALI to GND and keep RTC_XTALO unconnected.</p> |
| XTALI/XTALO | <p>A 24.0 MHz crystal should be connected between XTALI and XTALO. The crystal must be rated for a maximum drive level of 250 μW. An ESR (equivalent series resistance) of typical 80 Ω is recommended. NXP BSP (board support package) software requires 24 MHz on XTALI/XTALO.</p> <p>The crystal can be eliminated if an external 24 MHz oscillator is available in the system. In this case, XTALO must be directly driven by the external oscillator and XTALI is floated.</p> <p>If this clock is used as a reference for USB, then there are strict frequency tolerance and jitter requirements. See OSC24M chapter and relevant interface specifications chapters for details.</p> |
| DRAM_VREF | <p>When using DDR_VREF with DDR I/O, the nominal reference voltage must be half of the NVCC_DRAM supply. The user must tie DDR_VREF to a precision external resistor divider. Use a 1 kΩ 0.5% resistor to GND and a 1 kΩ 0.5% resistor to NVCC_DRAM. Shunt each resistor with a closely-mounted 0.1 μF capacitor.</p> <p>To reduce supply current, a pair of 1.5 kΩ 0.1% resistors can be used. Using resistors with recommended tolerances ensures the $\pm 2\%$ DDR_VREF tolerance (per the DDR3 specification) is maintained when two DDR3 ICs plus the i.MX 6ULL are drawing current on the resistor divider.</p> |

Table 3. Special Signal Considerations (continued)

| Signal Name | Remarks |
|-------------|--|
| ZQPAD | DRAM calibration resistor 240 Ω 1% used as reference during DRAM output buffer driver calibration should be connected between this pad and GND. |
| GPANAIO | This signal is reserved for NXP manufacturing use only. This output must remain unconnected. |
| JTAG_#### | <p>The JTAG interface is summarized in Table 4. Use of external resistors is unnecessary. However, if external resistors are used, the user must ensure that the on-chip pull-up/down configuration is followed. For example, do not use an external pull down on an input that has on-chip pull-up.</p> <p>JTAG_TDO is configured with a keeper circuit such that the non-connected condition is eliminated if an external pull resistor is not present. An external pull resistor on JTAG_TDO is detrimental and should be avoided.</p> <p>JTAG_MOD is referenced as SJC_MOD in the i.MX 6ULL reference manual. Both names refer to the same signal. JTAG_MOD must be externally connected to GND for normal operation. Termination to GND through an external pull-down resistor (such as 1 kΩ) is allowed. JTAG_MOD set to hi configures the JTAG interface to mode compliant with IEEE1149.1 standard. JTAG_MOD set to low configures the JTAG interface for common SW debug adding all the system TAPs to the chain.</p> |
| NC | These signals are No Connect (NC) and should be floated by the user. |
| POR_B | This cold reset negative logic input resets all modules and logic in the IC. May be used in addition to internally generated power on reset signal (logical AND, both internal and external signals are considered active low). |
| ONOFF | ONOFF can be configured in debounce, off to on time, and max time-out configurations. The debounce and off to on time configurations supports 0, 50, 100 and 500 ms. Debounce is used to generate the power off interrupt. While in the ON state, if ONOFF button is pressed longer than the debounce time, the power off interrupt is generated. Off to on time supports the time it takes to request power on after a configured button press time has been reached. While in the OFF state, if ONOFF button is pressed longer than the off to on time, the state will transition from OFF to ON. Max time-out configuration supports 5, 10, 15 seconds and disable. Max time-out configuration supports the time it takes to request power down after ONOFF button has been pressed for the defined time. |
| TEST_MODE | TEST_MODE is for NXP factory use. The user must tie this pin directly to GND. |

Table 4. JTAG Controller Interface Summary

| JTAG | I/O Type | On-chip Termination |
|------------|----------------|------------------------|
| JTAG_TCK | Input | 47 k Ω pull-up |
| JTAG_TMS | Input | 47 k Ω pull-up |
| JTAG_TDI | Input | 47 k Ω pull-up |
| JTAG_TDO | 3-state output | Keeper |
| JTAG_TRSTB | Input | 47 k Ω pull-up |
| JTAG_MOD | Input | 100 k Ω pull-up |

3.2 Recommended Connections for Unused Analog Interfaces

[Table 5](#) shows the recommended connections for unused analog interfaces.

Table 5. Recommended Connections for Unused Analog Interfaces

| Module | Pad Name | Recommendations if Unused |
|--------|--|---|
| CCM | CCM_CLK1_N, CCM_CLK1_P | Float |
| USB | USB_OTG1_CHD_B, USB_OTG1_DN, USB_OTG1_DP, USB_OTG1_VBUS, USB_OTG2_DN, USB_OTG2_DP, USB_OTG2_VBUS | Float |
| ADC | ADC_VREFH | Tie to VDDA_ADC_3P3 |
| | VDDA_ADC_3P3 | VDDA_ADC_3P3 must be powered even if the ADC is not used. |

4 Electrical Characteristics

This section provides the device and module-level electrical characteristics for the i.MX 6ULL processors.

4.1 Chip-Level Conditions

This section provides the device-level electrical characteristics for the IC. See [Table 6](#) for a quick reference to the individual tables and sections.

Table 6. i.MX 6ULL Chip-Level Conditions

| For these characteristics | Topic appears |
|---|----------------------------|
| Absolute Maximum Ratings | on page 22 |
| Thermal Resistance | on page 22 |
| Operating Ranges | on page 24 |
| External Clock Sources | on page 26 |
| Maximum Supply Currents | on page 27 |
| Power Modes | on page 28 |
| USB PHY Current Consumption | on page 31 |

4.1.1 Absolute Maximum Ratings

Table 7. Absolute Maximum Ratings

| Parameter Description | Symbol | Min | Max | Unit |
|---|--|------|-----------------------|------|
| Core Supply Voltage | VDDSOC_IN | -0.3 | 1.6 | V |
| Internal Supply Voltage | VDDARM_CAP VDDSOC_CAP | -0.3 | 1.4 | V |
| GPIO Supply Voltage | NVCC_CSI NVCC_ENET NVCC_GPIO NVCC_UART NVCC_LCD NVCC_NAND NVCC_SD1 | -0.5 | 3.7 | V |
| DDR IO Supply Voltage | NVCC_DRAM | -0.4 | 1.975 ¹ | V |
| VDD_SNVS_IN Supply Voltage | VDD_SNVS_IN | -0.3 | 3.6 | V |
| VDDHIGH_IN Supply voltage | VDD_HIGH_IN | -0.3 | 3.7 | V |
| USB VBUS | USB_OTG1_VBUS USB_OTG2_VBUS | — | 5.5 | V |
| Input voltage on USB_OTG_DP and USB_OTG_DN pins | USB_OTG1_DP/USB_OTG1_DN USB_OTG2_DP/USB_OTG2_DN | -0.3 | 3.63 | V |
| Input/Output Voltage Range | $V_{in/Vout}$ | -0.5 | OVDD+0.3 ² | V |
| ESD damage Immunity: | V_{esd} | | | |
| Human Body Model (HBM) | | — | 2000 | V |
| Charge Device Model (CDM) | | — | 500 | |
| Storage Temperature Range | TSTORAGE | -40 | 150 | °C |

¹ The absolute maximum voltage includes an allowance for 400 mV of overshoot on the IO pins. Per JEDEC standards, the allowed signal overshoot must be derated if NVCC_DRAM exceeds 1.575 V.

² OVDD is the I/O supply voltage.

4.1.2 Thermal Resistance

4.1.2.1 14 x 14 mm (VM) Package Thermal Resistance

Table 8 displays the 14 x 14 mm (VM) package thermal resistance data.

Table 8. 14 x 14 (VM) Thermal Resistance Data

| Rating | Test Conditions | Symbol | Value | Unit | Notes |
|---|-------------------------|-----------------|-------|------|-------|
| Junction to Ambient Natural convection | Single-layer board (1s) | $R_{\theta JA}$ | 58.4 | °C/W | 1,2 |
| Junction to Ambient Natural convection | Four-layer board (2s2p) | $R_{\theta JA}$ | 37.6 | °C/W | 1,2,3 |

Table 8. 14 x 14 (VM) Thermal Resistance Data (continued)

| Rating | Test Conditions | Symbol | Value | Unit | Notes |
|-----------------------------------|-------------------------|------------------|-------|------|-------|
| Junction to Ambient (@200 ft/min) | Single layer board (1s) | $R_{\theta JMA}$ | 48.6 | °C/W | 1,3 |
| Junction to Ambient (@200 ft/min) | Four layer board (2s2p) | $R_{\theta JMA}$ | 32.9 | °C/W | 1,3 |
| Junction to Board | — | $R_{\theta JB}$ | 21.8 | °C/W | 4 |
| Junction to Case | — | $R_{\theta JC}$ | 19.3 | °C/W | 5 |
| Junction to Package Top | Natural Convection | Ψ_{JT} | 2.3 | °C/W | 6 |
| Junction to Package Bottom | Natural Convection | Ψ_{JB} | 12.0 | °C/W | 7 |

¹ Junction temperature is a function of die size, on-chip power dissipation, package thermal resistance, mounting site (board) temperature, ambient temperature, air flow, power dissipation of other components on the board, and board thermal resistance.

² Per SEMI G38-87 and JEDEC JESD51-2 with the single layer board horizontal.

³ Per JEDEC JESD51-6 with the board horizontal.

⁴ Thermal resistance between the die and the printed circuit board per JEDEC JESD51-8. Board temperature is measured on the top surface of the board near the package.

⁵ Thermal resistance between the die and the case top surface as measured by the cold plate method (MIL SPEC-883 Method 1012.1).

⁶ Thermal characterization parameter indicating the temperature difference between package top and the junction temperature per JEDEC JESD51-2. When Greek letters are not available, the thermal characterization parameter is written as Psi-JT.

⁷ Thermal characterization parameter indicating the temperature difference between package bottom center and the junction temperature per JEDEC JESD51-12. When Greek letters are not available, the thermal characterization parameter is written as Psi-JB

4.1.2.2 9 x 9 MM (VK) Package Thermal Resistance

Table 9 displays the 9 x 9 MM (VK) thermal resistance data.

Table 9. 9 x 9 MM (VK) Thermal Resistance Data

| Rating | Test Conditions | Symbol | Value | Unit | Notes |
|---|-------------------------|------------------|-------|------|-------|
| Junction to Ambient Natural Convection | Single-layer board (1s) | $R_{\theta JA}$ | 65.6 | °C/W | 1,2 |
| Junction to Ambient Natural Convection | Four-layer board (2s2p) | $R_{\theta JA}$ | 36.2 | °C/W | 1,2,3 |
| Junction to Ambient (@200 ft/min) | Single layer board (1s) | $R_{\theta JMA}$ | 51.2 | °C/W | 1,3 |
| Junction to Ambient (@200 ft/min) | Four layer board (2s2p) | $R_{\theta JMA}$ | 31.8 | °C/W | 1,3 |
| Junction to Board | — | $R_{\theta JB}$ | 17.1 | °C/W | 4 |
| Junction to Case | — | $R_{\theta JC}$ | 14.5 | °C/W | 5 |
| Junction to Package Top | Natural Convection | Ψ_{JT} | 0.6 | °C/W | 6 |
| Junction to Package Bottom | Natural Convection | Ψ_{JB_CSB} | 11.1 | °C/W | 7 |

Electrical Characteristics

- ¹ Junction temperature is a function of die size, on-chip power dissipation, package thermal resistance, mounting site (board) temperature, ambient temperature, air flow, power dissipation of other components on the board, and board thermal resistance.
- ² Per SEMI G38-87 and JEDEC JESD51-2 with the single layer board horizontal.
- ³ Per JEDEC JESD51-6 with the board horizontal.
- ⁴ Thermal resistances between the die and the printed circuit board per JEDEC JESD51-8. Board temperature is measured on the top surface of the board near the package.
- ⁵ Thermal resistance between the die and the case top surface as measured by the cold plate method (MIL SPEC-883 Method 1012.1).
- ⁶ Thermal characterization parameter indicating the temperature difference between package top and the junction temperature per JEDEC JESD51-2. When Greek letters are not available, the thermal characterization parameter is written as Psi-JT.
- ⁷ Thermal resistance between the die and the central solder balls on the bottom of the package based on simulation.

4.1.3 Operating Ranges

Table 10 provides the operating ranges of the i.MX 6ULL processors. For details on the chip's power structure, see the “Power Management Unit (PMU)” chapter of the *i.MX 6ULL Reference Manual* (IMX6ULLRM).

Table 10. Operating Ranges

| Parameter Description | Symbol | Operating Conditions | Min | Typ | Max ¹ | Unit | Comment |
|---------------------------------|-------------|--|-------|-------|------------------|------|---|
| Run Mode: LDO Enabled | VDD_SOC_IN | A7 core at 900 MHz | 1.375 | — | 1.5 | V | VDD_SOC_IN must be 125 mV higher than the LDO Output Set Point (VDD_ARM_CAP and VDD_SOC_CAP) for correct supply voltage regulation. |
| | | A7 core at 528 MHz and below | 1.275 | — | 1.5 | | |
| | VDD_ARM_CAP | A7 core at 900 MHz | 1.25 | 1.275 | 1.3 | V | — |
| | | A7 core at 528 MHz | 1.15 | — | 1.3 | | |
| | | A7 core at 396 MHz | 1.00 | — | 1.3 | | |
| | | A7 core at 198 MHz | 0.925 | — | 1.3 | | |
| VDD_SOC_CAP | — | 1.15 | — | 1.3 | V | — | |
| Run Mode: LDO Bypassed | VDD_SOC_IN | A7 core operations at 528 MHz or below. | 1.15 | — | 1.3 | V | A7 core operation above 528 MHz is not supported when LDO is bypassed. |
| Low Power Run Mode: LDO Enabled | VDD_SOC_IN | — | 1.275 | — | 1.5 | V | VDD_SOC_IN must be 125 mV higher than the LDO Output Set Point (VDD_ARM_CAP and VDD_SOC_CAP) for correct supply voltage regulation. |
| | VDD_SOC_CAP | All PLL bypassed, all clocks running at 24 MHz or below. | 0.925 | — | 1.3 | V | — |
| | VDD_ARM_CAP | | 0.925 | — | 1.3 | V | |

Table 10. Operating Ranges (continued)

| | | | | | | | |
|----------------------------------|--------------------------|--|-------|---------------------|-------|----|---|
| Low Power Run Mode: LDO Bypassed | VDD_SOC_IN | All PLL bypassed, all clocks running at 24 MHz or below. | 0.925 | — | 1.3 | V | — |
| SUSPEND (DSM) Mode | VDD_SOC_IN | — | 0.9 | — | 1.3 | V | Refer to Table 15 Low Power Mode Current and Power Consumption on page -29 |
| VDD_HIGH internal regulator | VDD_HIGH_IN | — | 2.80 | — | 3.6 | V | Must match the range of voltages that the rechargeable backup battery supports. |
| Backup battery supply range | VDD_SNVS_IN ² | — | 2.40 | — | 3.6 | V | Can be combined with VDDHIGH_IN, if the system does not require keeping real time and other data on OFF state. |
| USB supply voltages | USB_OTG1_VBUS | — | 4.40 | — | 5.5 | V | — |
| | USB_OTG2_VBUS | — | 4.40 | — | 5.5 | V | — |
| DDR I/O supply | NVCC_DRAM | LPDDR2 | 1.14 | 1.2 | 1.3 | V | — |
| | | DDR3L | 1.28 | 1.35 | 1.45 | V | — |
| | | DDR3 | 1.43 | 1.5 | 1.575 | V | — |
| | NVCC_DRAM2P5 | — | 2.25 | 2.5 | 2.75 | V | — |
| GPIO supplies | NVCC_CSI | — | 1.65 | 1.8, 2.8, 3.3 | 3.6 | V | All digital I/O supplies (NVCC_xxxx) must be powered (unless otherwise specified in this data sheet) under normal conditions whether the associated I/O pins are in use or not. |
| | NVCC_ENET | | | | | | |
| | NVCC_GPIO | | | | | | |
| | NVCC_UART | | | | | | |
| | NVCC_LCD | | | | | | |
| | NVCC_NAND | | | | | | |
| | NVCC_SD1 | | | | | | |
| A/D converter | VDDA_ADC_3P3 | — | 3.0 | 3.15 | 3.6 | V | VDDA_ADC_3P3 must be powered when chip is in RUN mode, IDLE mode, or SUSPEND mode. VDDA_ADC_3P3 should not be powered when chip is in SNVS mode. |
| Temperature Operating Ranges | | | | | | | |
| Junction temperature | TJ | Standard Commercial | 0 | — | 95 | °C | See <i>i.MX 6ULL Product Lifetime Usage Estimates</i> for information on product lifetime (power-on years) for this processor. |

¹ Applying the maximum voltage results in maximum power consumption and heat generation. NXP recommends a voltage set point = (V_{min} + the supply tolerance). This result in an optimized power/speed ratio.

Electrical Characteristics

² In setting VDD_SNVS_IN voltage with regards to Charging Currents and RTC, refer to the *i.MX 6ULL Hardware Development Guide* (IMX6ULLHDG).

Table 11 shows on-chip LDO regulators that can supply on-chip loads.

Table 11. On-Chip LDOs¹ and their On-Chip Loads

| Voltage Source | Load | Comment |
|----------------|---------------|--|
| VDD_HIGH_CAP | NVCC_DRAM_2P5 | Board-level connection to VDD_HIGH_CAP |

¹ On-chip LDOs are designed to supply i.MX 6ULL loads and must not be used to supply external loads.

4.1.4 External Clock Sources

Each i.MX 6ULL processor has two external input system clocks: a low frequency (RTC_XTALI) and a high frequency (XTALI).

The RTC_XTALI is used for low-frequency functions. It supplies the clock for wake-up circuit, power-down real time clock operation, and slow system and watch-dog counters. The clock input can be connected to either external oscillator or a crystal using internal oscillator amplifier. Additionally, there is an internal ring oscillator, which can be used instead of the RTC_XTALI if accuracy is not important.

The system clock input XTALI is used to generate the main system clock. It supplies the PLLs and other peripherals. The system clock input can be connected to either external oscillator or a crystal using internal oscillator amplifier.

Table 12 shows the interface frequency requirements.

Table 12. External Input Clock Frequency

| Parameter Description | Symbol | Min | Typ | Max | Unit |
|-------------------------------------|-------------------|-----|---------------------------|-----|------|
| RTC_XTALI Oscillator ^{1,2} | f _{ckil} | — | 32.768 ³ /32.0 | — | kHz |
| XTALI Oscillator ^{2,4} | f _{xtal} | — | 24 | — | MHz |

¹ External oscillator or a crystal with internal oscillator amplifier.

² The required frequency stability of this clock source is application dependent. For recommendations, see the Hardware Development Guide for *i.MX 6ULL Applications Processors* (IMX6ULLHDG).

³ Recommended nominal frequency 32.768 kHz.

⁴ External oscillator or a fundamental frequency crystal with internal oscillator amplifier.

The typical values shown in Table 12 are required for use with NXP BSPs to ensure precise time keeping and USB operation. For RTC_XTALI operation, two clock sources are available.

- On-chip 40 kHz ring oscillator—this clock source has the following characteristics:
 - Approximately 25 μ A more I_{dd} than crystal oscillator
 - Approximately \pm 50% tolerance
 - No external component required
 - Starts up quicker than 32 kHz crystal oscillator
- External crystal oscillator with on-chip support circuit:

- At power up, ring oscillator is utilized. After crystal oscillator is stable, the clock circuit switches over to the crystal oscillator automatically.
- Higher accuracy than ring oscillator
- If no external crystal is present, then the ring oscillator is utilized

The decision of choosing a clock source should be taken based on real-time clock use and precision time-out.

4.1.5 Maximum Supply Currents

The data shown in [Table 13](#) represent a use case designed specifically to show the maximum current consumption possible. All cores are running at the defined maximum frequency and are limited to L1 cache accesses only to ensure no pipeline stalls. Although a valid condition, it would have a very limited practical use case, if at all, and be limited to an extremely low duty cycle unless the intention was to specifically show the worst case power consumption.

See the i.MX 6ULL Power Consumption Measurement Application Note (AN4581) for more details on typical power consumption under various use case definitions.

Table 13. Maximum Supply Currents

| Power Line | Conditions | Max Current | Unit |
|--|---|--------------------------------------|------|
| VDD_SOC_IN | 900 MHz ARM clock based on Dhrystone test | 500 | mA |
| VDD_HIGH_IN | — | 125 ¹ | mA |
| VDD_SNV5_IN | — | 500 ² | μA |
| USB_OTG1_VBUS USB_OTG2_VBUS | — | 50 ³ | mA |
| VDDA_ADC_3P3 | 100 Ohm maximum loading for touch panel | 35 | mA |
| Primary Interface (IO) Supplies | | | |
| NVCC_DRAM | — | (See ⁴) | — |
| NVCC_DRAM_2P5 | — | 50 | mA |
| NVCC_GPIO | N=16 | Use maximum IO Equation ⁵ | — |
| NVCC_UART | N=16 | Use maximum IO equation ⁵ | — |
| NVCC_ENET | N=16 | Use maximum IO equation ⁵ | — |
| NVCC_LCD | N=29 | Use maximum IO equation ⁵ | — |
| NVCC_NAND | N=17 | Use maximum IO equation ⁵ | — |
| NVCC_SD | N=6 | Use maximum IO equation ⁵ | — |
| NVCC_CSI | N=12 | Use maximum IO equation ⁵ | — |
| MISC | | | |
| DRAM_VREF | — | 1 | mA |

Electrical Characteristics

- ¹ The actual maximum current drawn from VDD_HIGH_IN will be as shown plus any additional current drawn from the VDD_HIGH_CAP outputs, depending upon actual application configuration (for example, NVCC_DRAM_2P5 supplies).
- ² The maximum VDD_SNVS_IN current may be higher depending on specific operating configurations, such as BOOT_MODE[1:0] not equal to 00, or use of the Tamper feature. During initial power on, VDD_SNVS_IN can draw up to 1 mA, if available. VDD_SNVS_CAP charge time will increase if less than 1 mA is available.
- ³ This is the maximum current per active USB physical interface.
- ⁴ The DRAM power consumption is dependent on several factors, such as external signal termination. DRAM power calculators are typically available from the memory vendors. They take in account factors, such as signal termination. See the *i.MX 6ULL Power Consumption Measurement Application Note (AN4581)* or examples of DRAM power consumption during specific use case scenarios.
- ⁵ General equation for estimated, maximum power consumption of an IO power supply:

$$I_{max} = N \times C \times V \times (0.5 \times F)$$
 Where:
 N—Number of IO pins supplied by the power line
 C—Equivalent external capacitive load
 V—IO voltage
 (0.5 x F)—Data change rate. Up to 0.5 of the clock rate (F)
 In this equation, I_{max} is in Amps, C in Farads, V in Volts, and F in Hertz.

4.1.6 Power Modes

The i.MX 6ULL has the following power modes:

- RUN Mode: CPU is active, some portion of the chip can be clock gated or power gated. Support multiple voltage/frequency scaling set point for power saving;
- Low Power Mode: CPU in WFI state or power gate, some portion of the chip can be shut off for power saving. The Suspend, Low Power Idle, System Idle are consider as sub-modes of the RUN mode;
- SNVS Mode: only RTC and tamper detection logic is active, with 12 GPIOs in low power state retention mode;
- OFF Mode: all power rails are off.

The following table summarizes the external power supply state in all the power modes.

Table 14. Power Supply State in Power Modes

| Power Rail | RUN | Low Power | SNVS | OFF |
|--------------------------------|----------|-----------|------|-----|
| VDD_SOC_IN | ON | ON | OFF | OFF |
| VDD_HIGH_IN | ON | ON | OFF | OFF |
| VDD_SNVS | ON | ON | ON | OFF |
| USB_OTG1_VBUS USB_OTG2_VBUS | ON / OFF | ON / OFF | OFF | OFF |
| NVCC_DRAM_2P5 | ON | ON | OFF | OFF |
| VDDA_ADC_3P3 | ON / OFF | ON / OFF | OFF | OFF |
| NVCC_DRAM | ON | ON | OFF | OFF |
| NVCC_XXX | ON / OFF | ON / OFF | OFF | OFF |

4.1.6.1 RUN Mode

In RUN mode, the CPU is active and running, and the analog / digital peripheral modules inside the processor will be enabled. In this mode, all the external power rails to the processor have to be ON and the SoC will be able to draw as many current.

Typically, when the CPU is doing DVFS, it switches the VDD_ARM voltage according to [Table 10](#).

4.1.6.2 Low Power Mode

When the CPU is not running, the processor can enter low power mode. i.MX 6ULL processor supports a very flexible set of power mode configurations in low power mode.

Typically there are three low power modes used, System IDLE, Low Power IDLE, and SUSPEND:

- System IDLE—This is a mode that the CPU can automatically enter when there is no thread running. All the peripherals can keep working and the CPU's state is retained so the interrupt response can be very short. The cores are able to individually enter the WAIT state.
- Low Power IDLE—This mode is for the case when the system needs to have lower power but still keep some of the peripherals alive. Most of the peripherals, analog modules, and PHYs are shut off. The interrupt response in this mode is expected to be longer than the System IDLE, but its power is much lower.
- Suspend—This mode has the greatest power savings; all clocks, unused analog/PHYs, and peripherals are off. The external DRAM stays in Self-Refresh mode. The exit time from this mode is much longer.

[Table 15](#) shows the current core consumption (not including I/O) of i.MX 6ULL processors in selected low power modes.

Table 15. Low Power Mode Current and Power Consumption

| Mode | Test Conditions | Supply | Typical | Units |
|------------------------------|---|----------------------|---------|-------|
| SYSTEM IDLE: LDO Enabled | <ul style="list-style-type: none"> • LDO_ARM and LDO_SOC are set to 1.15 V • LDO_2P5 set to 2.5 V, LDO_1P1 set to 1.1 V • CPU in WFI, CPU clock gated • DDR is in self refresh • 24 MHz XTAL is ON • 528 PLL is active, other PLLs are power down • High-speed peripheral clock gated, but remain powered | VDD_SOC_IN (1.275 V) | 9 | mA |
| | | VDD_HIGH_IN (3.0 V) | 9.7 | |
| | | VDD_SNVS_IN (3.0 V) | 0.04 | |
| | | Total | 40.7 | mW |
| SYSTEM IDLE: LDO Bypassed | <ul style="list-style-type: none"> • LDO_ARM and LDO_SOC are set to bypass mode • LDO_2P5 set to 2.5 V, LDO_1P1 set to 1.1 V • CPU in WFI, CPU clock gated • DDR is in self refresh • 24 MHz XTAL is ON • 528 PLL is active, other PLLs are power down • High-speed peripheral clock gated, but remain powered | VDD_SOC_IN (1.25 V) | 8.5 | mA |
| | | VDD_HIGH_IN (3.0 V) | 8.8 | |
| | | VDD_SNVS_IN (3.0 V) | 0.04 | |
| | | Total | 37.15 | mW |

Table 15. Low Power Mode Current and Power Consumption (continued)

| | | | | |
|---------------------------------|---|----------------------|------|----|
| LOW POWER IDLE: LDO Enabled | <ul style="list-style-type: none"> LDO_SOC is set to 1.15 V, LDO_ARM is in PG mode LDO_2P5 and LDO_1P1 are set to weak mode CPU in power gate mode DDR is in self refresh All PLLs are power down 24 MHz XTAL is off, 24 MHz RCOSC used as clock source High-speed peripheral are powered off | VDD_SOC_IN (1.025 V) | 1.6 | mA |
| | | VDD_HIGH_IN (3.0 V) | 1.25 | |
| | | VDD_SNVS_IN (3.0 V) | 0.03 | |
| | | Total | 5.48 | mW |
| LOW POWER IDLE: LDO Bypassed | <ul style="list-style-type: none"> LDO_SOC is in bypass mode, LDO_ARM is in PG mode LDO_2P5 and LDO_1P1 are set to weak mode CPU in power gate mode DDR is in self refresh All PLLs are power down 24 MHz XTAL is off, 24 MHz RCOSC used as clock source High-speed peripheral are powered off | VDD_SOC_IN (0.9 V) | 1.5 | mA |
| | | VDD_HIGH_IN (3.0 V) | 0.3 | |
| | | VDD_SNVS_IN (3.0 V) | 0.05 | |
| | | Total | 2.4 | mW |
| SUSPEND: | <ul style="list-style-type: none"> LDO_SOC is in bypass mode, LDO_ARM is in PG mode LDO_2P5 and LDO_1P1 are shut off CPU in power gate mode DDR is in self refresh All PLLs are power down 24 MHz XTAL is off, 24 MHz RCOSC is off All clocks are shut off, except 32 kHz RTC High-speed peripheral are powered off | VDD_SOC_IN (0.9 V) | 0.3 | mA |
| | | VDD_HIGH_IN (3.0 V) | 0.03 | |
| | | VDD_SNVS_IN (3.0 V) | 0.03 | |
| | | Total | 0.45 | mW |
| SNVS: | <ul style="list-style-type: none"> All SOC digital logic, analog module are shut off 32 kHz RTC is alive Tamper detection circuit remains active | VDD_SOC_IN (0 V) | 0 | mA |
| | | VDD_HIGH_IN (0 V) | 0 | |
| | | VDD_SNVS_IN (3.0 V) | 0.03 | |
| | | Total | 0.09 | mW |

4.1.6.3 SNVS Mode

SNVS mode is also called RTC mode, where only the power for the SNVS domain remain on. In this mode, only the RTC and tamper detection logic is still active.

The power consumption in SNVS model with all the tamper detection logic enabled will be less than 0.03 mA@3.0V on VDD_SNVS for typical silicon at 25C.

In SNVS mode, the supported wakeup source are RTC alarm, ONOFF event, and also the 12 GPIO pads in VDD_SNVS_IN domain.

In some applications, the SNVS mode is powered by non-rechargeable coin cell battery, so the power consumption in SNVS mode has to be very low.

4.1.6.4 OFF Mode

In OFF mode, all power rails are shut off.

4.1.7 USB PHY Current Consumption

4.1.7.1 Power Down Mode

In power down mode, everything is powered down, including the USB VBUS valid detectors in typical condition. Table 16 shows the USB interface current consumption in power down mode.

Table 16. USB PHY Current Consumption in Power Down Mode

| | VDD_USB_CAP (3.0 V) | VDD_HIGH_CAP (2.5 V) | NVCC_PLL (1.1 V) |
|---------|---------------------|----------------------|------------------|
| Current | 5.1 μ A | 1.7 μ A | < 0.5 μ A |

NOTE

The currents on the VDD_HIGH_CAP and VDD_USB_CAP were identified to be the voltage divider circuits in the USB-specific level shifters.

4.2 Power Supplies Requirements and Restrictions

The system design must comply with power-up sequence, power-down sequence, and steady state guidelines as described in this section to guarantee the reliable operation of the device. Any deviation from these sequences may result in the following situations:

- Excessive current during power-up phase
- Prevention of the device from booting
- Irreversible damage to the processor (worst-case scenario)

4.2.1 Power-Up Sequence

The below restrictions must be followed:

- VDD_SNVS_IN supply must be turned on before any other power supply.
- If a coin cell is used to power VDD_SNVS_IN, then ensure that it is connected before any other supply is switched on.
- VDD_HIGH_IN should be turned on before VDD_SOC_IN.

NOTE

The POR_B input (if used) must be immediately asserted at power-up and remain asserted until after the last power rail reaches its working voltage. In the absence of an external reset feeding the POR_B input, the internal POR module takes control. See the *i.MX 6ULL Reference Manual* (IMX6ULLRM) for further details and to ensure that all necessary requirements are being met.

NOTE

Need to ensure that there is no back voltage (leakage) from any supply on the board towards the 3.3 V supply (for example, from the external components that use both the 1.8 V and 3.3 V supplies).

NOTE

USB_OTG1_VBUS and USB_OTG2_VBUS are not part of the power supply sequence and may be powered at any time.

4.2.2 Power-Down Sequence

The following restrictions must be followed:

- VDD_SNVS_IN supply must be turned off after any other power supply.
- If a coin cell is used to power VDD_SNVS_IN, then ensure that it is removed after any other supply is switched off.
- VDD_HIGH_IN should be turned off after VDD_SOC_IN is switched off.

4.2.3 Power Supplies Usage

All I/O pins should not be externally driven while the I/O power supply for the pin (NVCC_XXX) is OFF. This can cause internal latch-up and malfunctions due to reverse current flows. For information about I/O power supply of each pin, see “Power Rail” columns in pin list tables of [Section 6, “Package Information and Contact Assignments”](#).

4.3 Integrated LDO Voltage Regulator Parameters

Various internal supplies can be powered ON from internal LDO voltage regulators. All the supply pins named *_CAP must be connected to external capacitors. The onboard LDOs are intended for internal use only and should not be used to power any external circuitry. See the *i.MX 6ULL Reference Manual* (IMX6ULLRM) for details on the power tree scheme.

NOTE

The *_CAP signals should not be powered externally. These signals are intended for internal LDO operation only.

4.3.1 Digital Regulators (LDO_ARM, LDO_SOC)

There are two digital LDO regulators (“Digital”, because of the logic loads that they drive, not because of their construction). The advantages of the regulators are to reduce the input supply variation because of their input supply ripple rejection and their on-die trimming. This translates into more stable voltage for the on-chip logics.

These regulators have two basic modes:

- Power Gate. The regulation FET is switched fully off limiting the current draw from the supply. The analog part of the regulator is powered down here limiting the power consumption.

- Analog regulation mode. The regulation FET is controlled such that the output voltage of the regulator equals the programmed target voltage. The target voltage is fully programmable in 25 mV steps.

For additional information, see the *i.MX 6ULL Reference Manual* (IMX6ULLRM).

4.3.2 Analog Regulators (LDO_1P1, LDO_2P5, and LDO_USB)

4.3.2.1 LDO_1P1

The LDO_1P1 regulator implements a programmable linear-regulator function from VDD_HIGH_IN (see [Table 10](#) for minimum and maximum input requirements). Typical Programming Operating Range is 1.0 V to 1.2 V with the nominal default setting as 1.1 V. The LDO_1P1 supplies the USB PHY, and PLLs. A programmable brown-out detector is included in the regulator that can be used by the system to determine when the load capability of the regulator is being exceeded to take the necessary steps. Current-limiting can be enabled to allow for in-rush current requirements during start-up, if needed. Active-pull-down can also be enabled for systems requiring this feature.

For information on external capacitor requirements for this regulator, see the Hardware Development Guide for *i.MX 6ULL Applications Processors* (IMX6ULLHDG).

For additional information, see the *i.MX 6ULL Reference Manual* (IMX6ULLRM).

4.3.2.2 LDO_2P5

The LDO_2P5 module implements a programmable linear-regulator function from VDD_HIGH_IN (see [Table 10](#) for minimum and maximum input requirements). Typical Programming Operating Range is 2.25 V to 2.75 V with the nominal default setting as 2.5 V. LDO_2P5 supplies the DDR IOs, USB PHY, E-fuse module, and PLLs. A programmable brown-out detector is included in the regulator that can be used by the system to determine when the load capability of the regulator is being exceeded, to take the necessary steps. Current-limiting can be enabled to allow for in-rush current requirements during start-up, if needed. Active-pull-down can also be enabled for systems requiring this feature. An alternate self-biased low-precision weak-regulator is included that can be enabled for applications needing to keep the output voltage alive during low-power modes where the main regulator driver and its associated global bandgap reference module are disabled. The output of the weak-regulator is not programmable and is a function of the input supply as well as the load current. Typically, with a 3 V input supply the weak-regulator output is 2.525 V and its output impedance is approximately 40 Ω .

For information on external capacitor requirements for this regulator, see the Hardware Development Guide for *i.MX 6ULL Applications Processors* (IMX6ULLHDG).

For additional information, see the *i.MX 6ULL Reference Manual* (IMX6ULLRM).

4.3.2.3 LDO_USB

The LDO_USB module implements a programmable linear-regulator function from the USB VUSB voltages (4.4 V–5.5 V) to produce a nominal 3.0 V output voltage. A programmable brown-out detector is included in the regulator that can be used by the system to determine when the load capability of the

Electrical Characteristics

regulator is being exceeded, to take the necessary steps. This regulator has a built in power-mux that allows the user to select to run the regulator from either USB VBUS supply, when both are present. If only one of the USB VBUS voltages is present, then, the regulator automatically selects this supply. Current limit is also included to help the system meet in-rush current targets.

For information on external capacitor requirements for this regulator, see the Hardware Development Guide for *i.MX 6ULL Applications Processors* (IMX6ULLHDG).

For additional information, see the *i.MX 6ULL Reference Manual* (IMX6ULLRM).

4.4 PLL's Electrical Characteristics

4.4.1 Audio/Video PLL's Electrical Parameters

Table 17. Audio/Video PLL's Electrical Parameters

| Parameter | Value |
|--------------------|-------------------------|
| Clock output range | 650 MHz ~1.3 GHz |
| Reference clock | 24 MHz |
| Lock time | <11250 reference cycles |

4.4.2 528 MHz PLL

Table 18. 528 MHz PLL's Electrical Parameters

| Parameter | Value |
|--------------------|-------------------------|
| Clock output range | 528 MHz PLL output |
| Reference clock | 24 MHz |
| Lock time | <11250 reference cycles |

4.4.3 Ethernet PLL

Table 19. Ethernet PLL's Electrical Parameters

| Parameter | Value |
|--------------------|-------------------------|
| Clock output range | 500 MHz |
| Reference clock | 24 MHz |
| Lock time | <11250 reference cycles |

4.4.4 480 MHz PLL

Table 20. 480 MHz PLL's Electrical Parameters

| Parameter | Value |
|--------------------|-----------------------|
| Clock output range | 480 MHz PLL output |
| Reference clock | 24 MHz |
| Lock time | <383 reference cycles |

4.4.5 ARM PLL

Table 21. ARM PLL's Electrical Parameters

| Parameter | Value |
|--------------------|------------------------|
| Clock output range | 648 MHz ~ 1296 MHz |
| Reference clock | 24 MHz |
| Lock time | <2250 reference cycles |

4.5 On-Chip Oscillators

4.5.1 OSC24M

This block implements an amplifier that when combined with a suitable quartz crystal and external load capacitors implement an oscillator. The oscillator is powered from NVCC_PLL.

The system crystal oscillator consists of a Pierce-type structure running off the digital supply. A straight forward biased-inverter implementation is used.

4.5.2 OSC32K

This block implements an amplifier that when combined with a suitable quartz crystal and external load capacitors implement a low power oscillator. It also implements a power mux such that it can be powered from either a ~3 V backup battery (VDD_SNVS_IN) or VDD_HIGH_IN such as the oscillator consumes power from VDD_HIGH_IN when that supply is available and transitions to the backup battery when VDD_HIGH_IN is lost.

In addition, if the clock monitor determines that the OSC32K is not present, then the source of the 32 K will automatically switch to a crude internal ring oscillator. The frequency range of this block is approximately 10–45 kHz. It highly depends on the process, voltage, and temperature.

The OSC32k runs from VDD_SNVS_CAP supply, which comes from the VDD_HIGH_IN/VDD_SNVS_IN. The target battery is a ~3 V coin cell. Proper choice of coin cell type is necessary for chosen VDD_HIGH_IN range. Appropriate series resistor (Rs) must be used when

Electrical Characteristics

connecting the coin cell. R_s depends on the charge current limit that depends on the chosen coin cell. For example, for Panasonic ML621:

- Average Discharge Voltage is 2.5 V
- Maximum Charge Current is 0.6 mA

For a charge voltage of 3.2 V, $R_s = (3.2-2.5)/0.6 \text{ m} = 1.17 \text{ k}$.

Table 22. OSC32K Main Characteristics

| | Min | Typ | Max | Comments |
|---------------------------|-----|-----------------|----------------|---|
| Fosc | — | 32.768 KHz | — | This frequency is nominal and determined mainly by the crystal selected. 32.0 K would work as well. |
| Current consumption | — | 4 μA | — | The 4 μA is the consumption of the oscillator alone (OSC32k). Total supply consumption will depend on what the digital portion of the RTC consumes. The ring oscillator consumes 1 μA when ring oscillator is inactive, 20 μA when the ring oscillator is running. Another 1.5 μA is drawn from vdd_rtc in the power_detect block. So, the total current is 6.5 μA on vdd_rtc when the ring oscillator is not running. |
| Bias resistor | — | 14 M Ω | — | This the integrated bias resistor that sets the amplifier into a high gain state. Any leakage through the ESD network, external board leakage, or even a scope probe that is significant relative to this value will debias the amp. The debiasing will result in low gain, and will impact the circuit's ability to start up and maintain oscillations. |
| Crystal Properties | | | | |
| Cload | — | 10 pF | — | Usually crystals can be purchased tuned for different Cloads. This Cload value is typically 1/2 of the capacitances realized on the PCB on either side of the quartz. A higher Cload will decrease oscillation margin, but increases current oscillating through the crystal. |
| ESR | — | 50 k Ω | 100 k Ω | Equivalent series resistance of the crystal. Choosing a crystal with a higher value will decrease the oscillating margin. |

4.6 I/O DC Parameters

This section includes the DC parameters of the following I/O types:

- General Purpose I/O (GPIO)
- Double Data Rate I/O (DDR) for LPDDR2 and DDR3/DDR3L modes

NOTE

The term 'OVDD' in this section refers to the associated supply rail of an input or output.

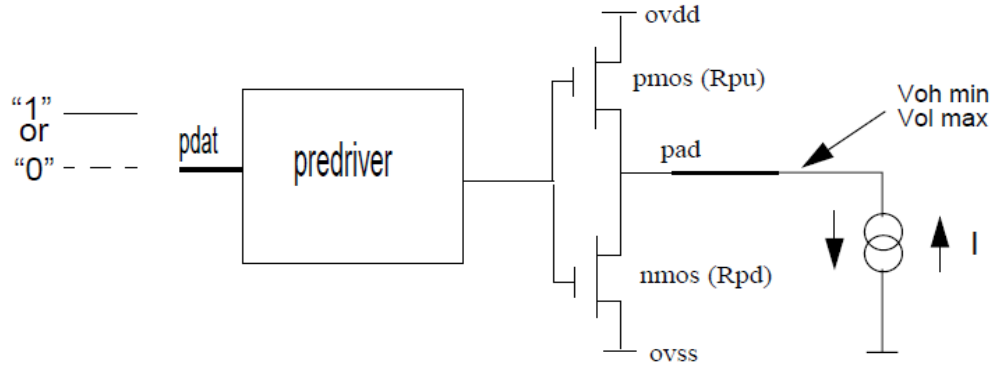


Figure 3. Circuit for Parameters Voh and Vol for I/O Cells

4.6.1 XTALI and RTC_XTALI (Clock Inputs) DC Parameters

Table 23 shows the DC parameters for the clock inputs.

Table 23. XTALI and RTC_XTALI DC Parameters ¹

| Parameter | Symbol | Test Conditions | Min | Max | Unit |
|---------------------------------------|--------|-----------------|----------------|----------|------|
| XTALI high-level DC input voltage | Vih | — | 0.8 x NVCC_PLL | NVCC_PLL | V |
| XTALI low-level DC input voltage | Vil | — | 0 | 0.2 | V |
| RTC_XTALI high-level DC input voltage | Vih | — | 0.8 | 1.1 | V |
| RTC_XTALI low-level DC input voltage | Vil | — | 0 | 0.2 | V |

¹ The DC parameters are for external clock input only.

4.6.2 Single Voltage General Purpose I/O (GPIO) DC Parameters

Table 24 shows DC parameters for GPIO pads. The parameters in Table 24 are guaranteed per the operating ranges in Table 10, unless otherwise noted.

Table 24. Single Voltage GPIO DC Parameters

| Parameter | Symbol | Test Conditions | Min | Max | Units |
|---|-----------------|---|------------|------------|-------|
| High-level output voltage ¹ | V _{OH} | I _{oh} = -0.1mA (ipp_dse=001,010) I _{oh} = -1mA (ipp_dse=011,100,101,110,111) | OVDD-0.15 | — | V |
| Low-level output voltage ¹ | V _{OL} | I _{ol} = 0.1mA (ipp_dse=001,010) I _{ol} = 1mA (ipp_dse=011,100,101,110,111) | — | 0.15 | V |
| High-Level input voltage ^{1,2} | V _{IH} | — | 0.7 x OVDD | OVDD | V |
| Low-Level input voltage ^{1,2} | V _{IL} | — | 0 | 0.3 x OVDD | V |
| Input Hysteresis (OVDD= 1.8V) | VHYS_LowVDD | OVDD=1.8V | 200 | — | mV |
| Input Hysteresis (OVDD=3.3V) | VHYS_HighVDD | OVDD=3.3V | 200 | — | mV |

Table 24. Single Voltage GPIO DC Parameters (continued)

| Parameter | Symbol | Test Conditions | Min | Max | Units |
|--------------------------------|----------|----------------------------------|------------|------------|-------|
| Schmitt trigger $V_{T+}^{2,3}$ | VTH+ | — | 0.5 x OVDD | — | mV |
| Schmitt trigger $V_{T-}^{2,3}$ | VTH- | — | — | 0.5 x OVDD | mV |
| Pull-up resistor (22_kΩ PU) | RPU_22K | Vin=0V | — | 212 | μA |
| Pull-up resistor (22_kΩ PU) | RPU_22K | Vin=OVDD | — | 1 | μA |
| Pull-up resistor (47_kΩ PU) | RPU_47K | Vin=0V | — | 100 | μA |
| Pull-up resistor (47_kΩ PU) | RPU_47K | Vin=OVDD | — | 1 | μA |
| Pull-up resistor (100_kΩ PU) | RPU_100K | Vin=0V | — | 48 | μA |
| Pull-up resistor (100_kΩ PU) | RPU_100K | Vin=OVDD | — | 1 | μA |
| Pull-down resistor (100_kΩ PD) | RPD_100K | Vin=OVDD | — | 48 | μA |
| Pull-down resistor (100_kΩ PD) | RPD_100K | Vin=0V | — | 1 | μA |
| Input current (no PU/PD) | IIN | VI = 0, VI = OVDD | -1 | 1 | μA |
| Keeper Circuit Resistance | R_Keeper | VI = 0.3 x OVDD, VI = 0.7 x OVDD | 105 | 175 | kΩ |

¹ Overshoot and undershoot conditions (transitions above OVDD and below GND) on switching pads must be held below 0.6 V, and the duration of the overshoot/undershoot must not exceed 10% of the system clock cycle. Overshoot/undershoot must be controlled through printed circuit board layout, transmission line impedance matching, signal line termination, or other methods. Non-compliance to this specification may affect device reliability or cause permanent damage to the device.

² To maintain a valid level, the transition edge of the input must sustain a constant slew rate (monotonic) from the current DC level through to the target DC level, Vil or Vih. Monotonic input transition time is from 0.1 ns to 1 s.

³ Hysteresis of 250 mV is guaranteed over all operating conditions when hysteresis is enabled.

4.6.3 DDR I/O DC Parameters

The DDR I/O pads support LPDDR2 and DDR3/DDR3L operational modes. For details on supported DDR memory configurations, see [Section 4.10, “Multi-Mode DDR Controller \(MMDC\)”](#).

MMDC operation with the standards stated above is contingent upon the board DDR design adherence to the DDR design and layout requirements stated in the *Hardware Development Guide for the i.MX 6ULL Applications Processor (IMX6ULLHDG)*.

4.6.3.1 LPDDR2 Mode I/O DC Parameters

Table 25. LPDDR2 I/O DC Electrical Parameters¹

| Parameters | Symbol | Test Conditions | Min | Max | Unit |
|-----------------------------|--------|-----------------|-------------|-------------|------|
| High-level output voltage | VOH | Ioh= -0.1mA | 0.9 x OVDD | — | V |
| Low-level output voltage | VOL | Iol= 0.1mA | — | 0.1 x OVDD | V |
| Input Reference Voltage | Vref | — | 0.49 x OVDD | 0.51 x OVDD | V |
| DC High-Level input voltage | Vih_DC | — | Vref+0.13 | OVDD | V |

Table 25. LPDDR2 I/O DC Electrical Parameters¹ (continued)

| Parameters | Symbol | Test Conditions | Min | Max | Unit |
|--|----------|-------------------|-------------------|-------------------|------------|
| DC Low-Level input voltage | Vil_DC | — | OVSS | Vref-0.13 | V |
| Differential Input Logic High | Vih_diff | — | 0.26 | Note ² | — |
| Differential Input Logic Low | Vil_diff | — | Note ³ | -0.26 | — |
| Pull-up/Pull-down Impedance Mismatch | Mmpupd | — | -15 | 15 | % |
| 240 Ω unit calibration resolution | Rres | — | — | 10 | Ω |
| Keeper Circuit Resistance | Rkeep | — | 110 | 175 | k Ω |
| Input current (no pull-up/down) | Iin | VI = 0, VI = OVDD | -2.5 | 2.5 | μ A |

¹ Note that the JEDEC LPDDR2 specification (JESD209_2B) supersedes any specification in this document.

² The single-ended signals need to be within the respective limits (Vih(dc) max, Vil(dc) min) for single-ended signals as well as the limitations for overshoot and undershoot.

4.6.3.2 DDR3/DDR3L Mode I/O DC Parameters

The parameters in Table 27 are guaranteed per the operating ranges in Table 10, unless otherwise noted.

Table 27. DDR3/DDR3L I/O DC Electrical Characteristics

| Parameters | Symbol | Test Conditions | Min | Max | Unit |
|--|----------|---|-------------------------|-----------------------|------------|
| High-level output voltage | VOH | Ioh= -0.1mA Voh (for ipp_dse=001) | 0.8 x OVDD ¹ | — | V |
| Low-level output voltage | VOL | Iol= 0.1mA Vol (for ipp_dse=001) | 0.2 x OVDD | — | V |
| High-level output voltage | VOH | Ioh= -1mA Voh (for all except ipp_dse=001) | 0.8 x OVDD | — | V |
| Low-level output voltage | VOL | Iol= 1mA Vol (for all except ipp_dse=001) | 0.2 x OVDD | — | V |
| Input Reference Voltage | Vref | — | 0.49 x OVDD | 0.51 x ovdd | V |
| DC High-Level input voltage | Vih_DC | — | Vref ² +0.1 | OVDD | V |
| DC Low-Level input voltage | Vil_DC | — | OVSS | Vref-0.1 | V |
| Differential Input Logic High | Vih_diff | — | 0.2 | See Note ³ | V |
| Differential Input Logic Low | Vil_diff | — | See Note | -0.2 | V |
| Termination Voltage | Vtt | Vtt tracking OVDD/2 | 0.49 x OVDD | 0.51 x OVDD | V |
| Pull-up/Pull-down Impedance Mismatch | Mmpupd | — | -10 | 10 | % |
| 240 Ω unit calibration resolution | Rres | — | — | 10 | Ω |
| Keeper Circuit Resistance | Rkeep | — | 105 | 165 | k Ω |
| Input current (no pull-up/down) | Iin | VI = 0, VI = OVDD | -2.9 | 2.9 | μ A |

¹ OVDD – I/O power supply (1.425 V–1.575 V for DDR3 and 1.283 V–1.45 V for DDR3L)

² Vref – DDR3/DDR3L external reference voltage

Electrical Characteristics

³ The single-ended signals need to be within the respective limits ($V_{ih}(dc)$ max, $V_{il}(dc)$ min) for single-ended signals as well as the limitations for overshoot and undershoot.

4.6.4 LVDS I/O DC Parameters

The LVDS interface complies with TIA/EIA 644-A standard. See TIA/EIA STANDARD 644-A, “Electrical Characteristics of Low Voltage Differential Signaling (LVDS) Interface Circuits” for details.

Table 28 shows the Low Voltage Differential Signaling (LVDS) I/O DC parameters.

Table 28. LVDS I/O DC Characteristics

| Parameter | Symbol | Test Conditions | Min | Typ | Max | Unit |
|-----------------------------|--------|-------------------------|-------|-------|-------|------|
| Output Differential Voltage | VOD | Rload-100 Ω Diff | 250 | 350 | 450 | mV |
| Output High Voltage | VOH | IOH = 0 mA | 1.25 | 1.375 | 1.6 | V |
| Output Low Voltage | VOL | IOL = 0 mA | 0.9 | 1.025 | 1.25 | V |
| Offset Voltage | VOS | — | 1.125 | 1.2 | 1.375 | V |

4.7 I/O AC Parameters

This section includes the AC parameters of the following I/O types:

- General Purpose I/O (GPIO)
- Double Data Rate I/O (DDR) for LPDDR2 and DDR3/DDR3L modes

The GPIO and DDR I/O load circuit and output transition time waveforms are shown in Figure 4 and Figure 5.

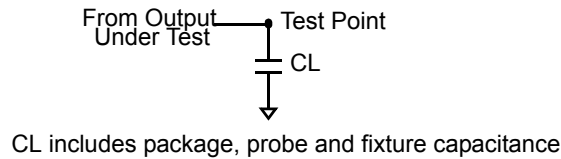


Figure 4. Load Circuit for Output

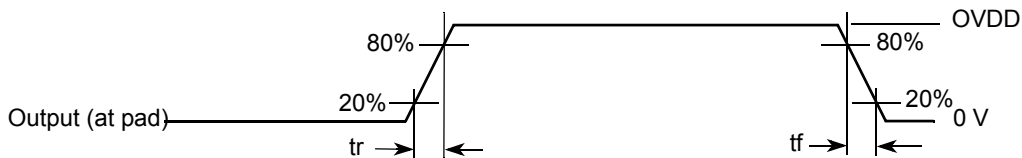


Figure 5. Output Transition Time Waveform

4.7.1 General Purpose I/O AC Parameters

The I/O AC parameters for GPIO in slow and fast modes are presented in the [Table 29](#) and [Table 30](#), respectively. Note that the fast or slow I/O behavior is determined by the appropriate control bits in the IOMUXC control registers.

Table 29. General Purpose I/O AC Parameters 1.8 V Mode

| Parameter | Symbol | Test Condition | Min | Typ | Max | Unit |
|--|--------|--|-----|-----|------------------------|------|
| Output Pad Transition Times, rise/fall (Max Drive, ipp_dse=111) | tr, tf | 22 pF Cload, slow slew rate 22 pF Cload, fast slew rate | — | — | 2.72/2.79 1.69/1.82 | ns |
| Output Pad Transition Times, rise/fall (High Drive, ipp_dse=101) | tr, tf | 22 pF Cload, slow slew rate 22 pF Cload, fast slew rate | — | — | 3.99/4.44 2.14/2.50 | |
| Output Pad Transition Times, rise/fall (Medium Drive, ipp_dse=100) | tr, tf | 22 pF Cload, slow slew rate 22 pF Cload, fast slew rate | — | — | 4.52/5.01 2.52/3.07 | |
| Output Pad Transition Times, rise/fall (Low Drive, ipp_dse=011) | tr, tf | 22 pF Cload, slow slew rate 22 pF Cload, fast slew rate | — | — | 5.15/5.68 3.44/3.73 | |
| Input Transition Times ¹ | trm | — | — | — | 25 | ns |

¹ Hysteresis mode is recommended for inputs with transition times greater than 25 ns.

Table 30. General Purpose I/O AC Parameters 3.3 V Mode

| Parameter | Symbol | Test Condition | Min | Typ | Max | Unit |
|--|--------|--|-----|-----|------------------------|------|
| Output Pad Transition Times, rise/fall (Max Drive, ipp_dse=101) | tr, tf | 22 pF Cload, slow slew rate 22 pF Cload, fast slew rate | — | — | 1.84/2.06 1.09/1.35 | ns |
| Output Pad Transition Times, rise/fall (High Drive, ipp_dse=011) | tr, tf | 22 pF Cload, slow slew rate 22 pF Cload, fast slew rate | — | — | 2.44/2.75 1.75/2.02 | |
| Output Pad Transition Times, rise/fall (Medium Drive, ipp_dse=010) | tr, tf | 22 pF Cload, slow slew rate 22 pF Cload, fast slew rate | — | — | 3.26/3.70 2.47/2.92 | |
| Output Pad Transition Times, rise/fall (Low Drive, ipp_dse=001) | tr, tf | 22 pF Cload, slow slew rate 22 pF Cload, fast slew rate | — | — | 5.26/6.19 4.88/5.77 | ns |
| Input Transition Times ¹ | trm | — | — | — | 25 | ns |

¹ Hysteresis mode is recommended for inputs with transition times greater than 25 ns.

4.7.2 DDR I/O AC Parameters

The DDR I/O pads support LPDDR2 and DDR3/DDR3L operational modes. For details on supported DDR memory configurations, see [Section 4.10](#), “Multi-Mode DDR Controller (MMDC)”.

MMDC operation with the standards stated above is contingent upon the board DDR design adherence to the DDR design and layout requirements stated in the *Hardware Development Guide for the i.MX 6ULL Applications Processor (IMX6ULLHDG)*.

[Table 31](#) shows the AC parameters for DDR I/O operating in LPDDR2 mode.

Electrical Characteristics

Table 31. DDR I/O LPDDR2 Mode AC Parameters¹

| Parameter | Symbol | Test Condition | Min | Max | Unit |
|---|----------------------|---|-------------------------|-------------------------|------|
| AC input logic high | V _{ih(ac)} | — | V _{ref} + 0.22 | OVDD | V |
| AC input logic low | V _{il(ac)} | — | 0 | V _{ref} - 0.22 | V |
| AC differential input high voltage ² | V _{idh(ac)} | — | 0.44 | — | V |
| AC differential input low voltage | V _{idl(ac)} | — | — | 0.44 | V |
| Input AC differential cross point voltage ³ | V _{ix(ac)} | Relative to V _{ref} | -0.12 | 0.12 | V |
| Over/undershoot peak | V _{peak} | — | — | 0.35 | V |
| Over/undershoot area (above OVDD or below OVSS) | V _{area} | 400 MHz | — | 0.3 | V-ns |
| Single output slew rate, measured between Vol (ac) and Voh (ac) | tsr | 50 Ω to V _{ref} . 5 pF load. Drive impedance = 40 Ω ± 30% | 1.5 | 3.5 | V/ns |
| | | 50 Ω to V _{ref} . 5pF load.Drive impedance = 60 Ω ± 30% | 1 | 2.5 | |
| Skew between pad rise/fall asymmetry + skew caused by SSN | t _{SKD} | clk = 400 MHz | — | 0.1 | ns |

¹ Note that the JEDEC LPDDR2 specification (JESD209_2B) supersedes any specification in this document.

² Vid(ac) specifies the input differential voltage |V_{tr} - V_{cp}| required for switching, where V_{tr} is the “true” input signal and V_{cp} is the “complementary” input signal. The Minimum value is equal to V_{ih(ac)} - V_{il(ac)}.

³ The typical value of V_{ix(ac)} is expected to be about 0.5 x OVDD. and V_{ix(ac)} is expected to track variation of OVDD. V_{ix(ac)} indicates the voltage at which differential input signal must cross.

Table 32 shows the AC parameters for DDR I/O operating in DDR3/DDR3L mode.

Table 32. DDR I/O DDR3/DDR3L Mode AC Parameters¹

| Parameter | Symbol | Test Condition | Min | Typ | Max | Unit |
|---|---------------------|------------------------------|--------------------------|-----|--------------------------|------|
| AC input logic high | V _{ih(ac)} | — | V _{ref} + 0.175 | — | OVDD | V |
| AC input logic low | V _{il(ac)} | — | 0 | — | V _{ref} - 0.175 | V |
| AC differential input voltage ² | V _{id(ac)} | — | 0.35 | — | — | V |
| Input AC differential cross point voltage ³ | V _{ix(ac)} | Relative to V _{ref} | V _{ref} - 0.15 | — | V _{ref} + 0.15 | V |
| Over/undershoot peak | V _{peak} | — | — | — | 0.4 | V |
| Over/undershoot area (above OVDD or below OVSS) | V _{area} | 400 MHz | — | — | 0.5 | V-ns |
| Single output slew rate, measured between Vol (ac) and Voh (ac) | tsr | Driver impedance = 34 Ω | 2.5 | — | 5 | V/ns |
| Skew between pad rise/fall asymmetry + skew caused by SSN | t _{SKD} | clk = 400 MHz | — | — | 0.1 | ns |

- ¹ Note that the JEDEC JESD79_3C specification supersedes any specification in this document.
- ² $V_{id(ac)}$ specifies the input differential voltage $|V_{tr} - V_{cp}|$ required for switching, where V_{tr} is the “true” input signal and V_{cp} is the “complementary” input signal. The Minimum value is equal to $V_{ih(ac)} - V_{il(ac)}$.
- ³ The typical value of $V_{ix(ac)}$ is expected to be about $0.5 \times OVDD$. and $V_{ix(ac)}$ is expected to track variation of $OVDD$. $V_{ix(ac)}$ indicates the voltage at which differential input signal must cross.

4.8 Output Buffer Impedance Parameters

This section defines the I/O impedance parameters of the i.MX 6ULL processors for the following I/O types:

- Single Voltage General Purpose I/O (GPIO)
- Double Data Rate I/O (DDR) for LPDDR2, and DDR3/DDR3L modes

NOTE

GPIO and DDR I/O output driver impedance is measured with “long” transmission line of impedance Z_{tl} attached to I/O pad and incident wave launched into transmission line. R_{pu}/R_{pd} and Z_{tl} form a voltage divider that defines specific voltage of incident wave relative to $OVDD$. Output driver impedance is calculated from this voltage divider (see [Figure 6](#)).

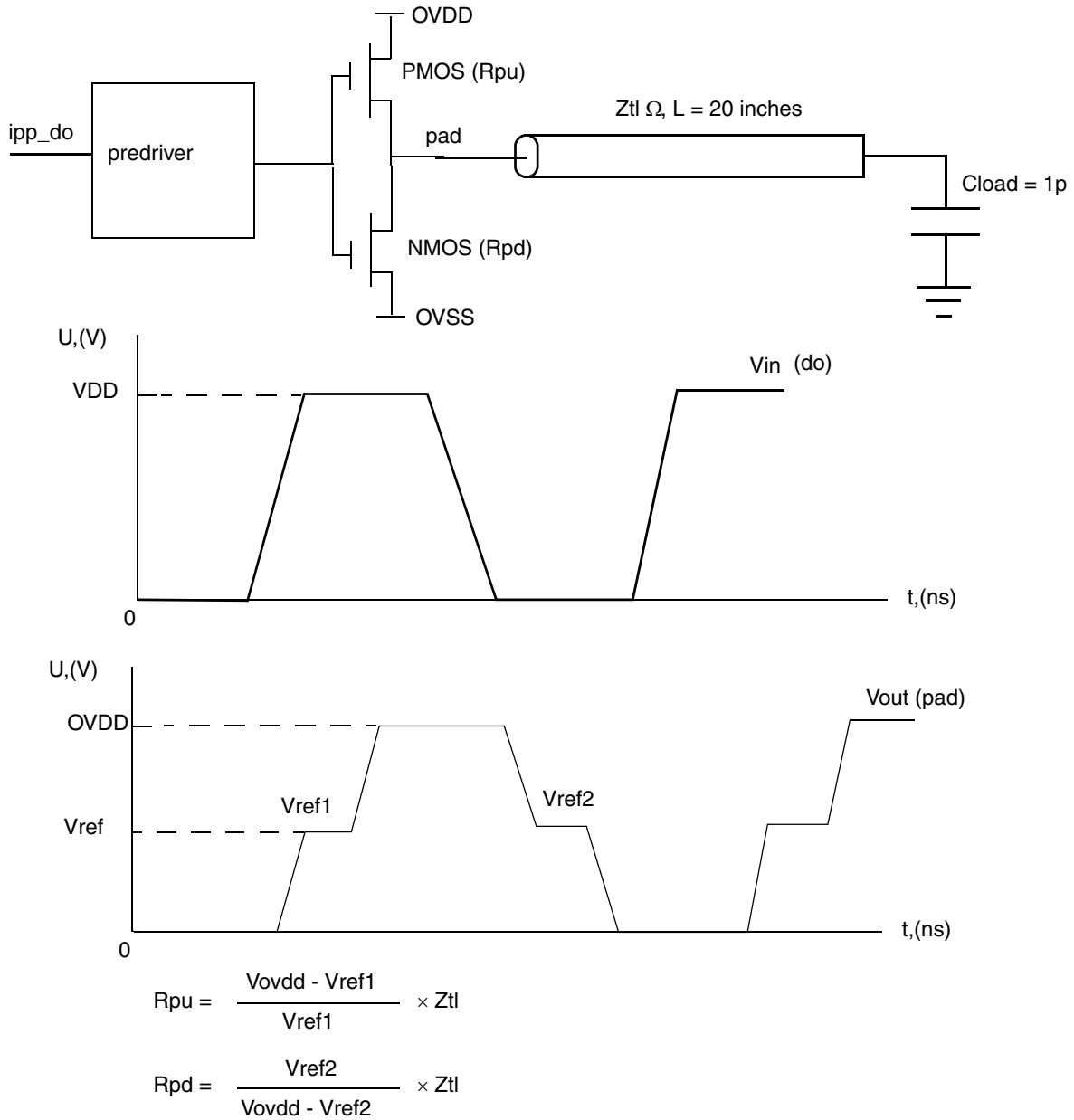


Figure 6. Impedance Matching Load for Measurement

4.8.1 Single Voltage GPIO Output Buffer Impedance

Table 33 shows the GPIO output buffer impedance (OVDD 1.8 V).

Table 33. GPIO Output Buffer Average Impedance (OVDD 1.8 V)

| Parameter | Symbol | Drive Strength (DSE) | Typ Value | Unit |
|-------------------------|--------|----------------------|-----------|----------|
| Output Driver Impedance | Rdrv | 001 | 260 | Ω |
| | | 010 | 130 | |
| | | 011 | 88 | |
| | | 100 | 65 | |
| | | 101 | 52 | |
| | | 110 | 43 | |
| | | 111 | 37 | |

Table 34 shows the GPIO output buffer impedance (OVDD 3.3 V).

Table 34. GPIO Output Buffer Average Impedance (OVDD 3.3 V)

| Parameter | Symbol | Drive Strength (DSE) | Typ Value | Unit |
|-------------------------|--------|----------------------|-----------|----------|
| Output Driver Impedance | Rdrv | 001 | 157 | Ω |
| | | 010 | 78 | |
| | | 011 | 53 | |
| | | 100 | 39 | |
| | | 101 | 32 | |
| | | 110 | 26 | |
| | | 111 | 23 | |

4.8.2 DDR I/O Output Buffer Impedance

Table 35 shows DDR I/O output buffer impedance of i.MX 6ULL processors.

Table 35. DDR I/O Output Buffer Impedance

| Parameter | Symbol | Test Conditions DSE (Drive Strength) | Typical | | Unit |
|-------------------------|--------|--------------------------------------|--------------------------------------|--|----------|
| | | | NVCC_DRAM=1.5 V (DDR3) DDR_SEL=11 | NVCC_DRAM=1.2 V (LPDDR2) DDR_SEL=10 | |
| Output Driver Impedance | Rdrv | 000 | Hi-Z | Hi-Z | Ω |
| | | 001 | 240 | 240 | |
| | | 010 | 120 | 120 | |
| | | 011 | 80 | 80 | |
| | | 100 | 60 | 60 | |
| | | 101 | 48 | 48 | |
| | | 110 | 40 | 40 | |
| | | 111 | 34 | 34 | |

Note:

- Output driver impedance is controlled across PVTs using ZQ calibration procedure.
- Calibration is done against 240 Ω external reference resistor.
- Output driver impedance deviation (calibration accuracy) is $\pm 5\%$ (max/min impedance) across PVTs.

4.9 System Modules Timing

This section contains the timing and electrical parameters for the modules in each i.MX 6ULL processor.

4.9.1 Reset Timings Parameters

Figure 7 shows the reset timing and Table 36 lists the timing parameters.

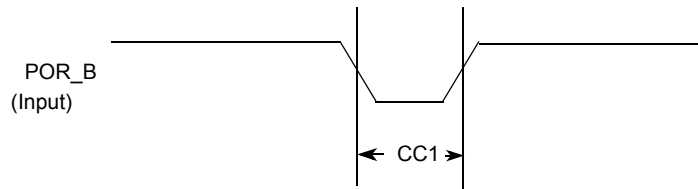


Figure 7. Reset Timing Diagram

Table 36. Reset Timing Parameters

| ID | Parameter | Min | Max | Unit |
|-----|---|-----|-----|-----------------|
| CC1 | Duration of POR_B to be qualified as valid. | 1 | — | RTC_XTALI cycle |

4.9.2 WDOG Reset Timing Parameters

Figure 8 shows the WDOG reset timing and Table 37 lists the timing parameters.

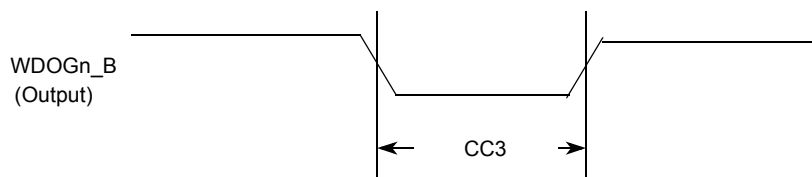


Figure 8. WDOGn_B Timing Diagram

Table 37. WDOGn_B Timing Parameters

| ID | Parameter | Min | Max | Unit |
|-----|-------------------------------|-----|-----|-----------------|
| CC3 | Duration of WDOGn_B Assertion | 1 | — | RTC_XTALI cycle |

NOTE

RTC_XTALI is approximately 32 kHz. RTC_XTALI cycle is one period or approximately 30 μs.

NOTE

WDOG1_B output signals (for each one of the Watchdog modules) do not have dedicated pins, but are muxed out through the IOMUX. See the IOMUX manual for detailed information.

4.9.3 External Interface Module (EIM)

The following subsections provide information on the EIM.

4.9.3.1 EIM Interface Pads Allocation

EIM supports 32-bit, 16-bit and 8-bit devices operating in address/data separate or multiplexed modes. Table 38 provides EIM interface pads allocation in different modes.

Table 38. EIM Multiplexing¹

| Setup | Non Multiplexed Address/Data Mode | | | Multiplexed Address/Data mode | |
|----------------------|-----------------------------------|-----------------------|-----------------------|-------------------------------|-----------------------|
| | 8 Bit | | 16 Bit | 16 Bit | 32 Bit |
| | MUM = 0, DSZ = 100 | MUM = 0, DSZ = 101 | MUM = 0, DSZ = 001 | MUM = 1, DSZ = 001 | MUM = 1, DSZ = 011 |
| A[15:0] | EIM_DA[15:0] | EIM_DA[15:0] | EIM_DA[15:0] | EIM_DA[15:0] | EIM_DA[15:0] |
| A[25:16] | EIM_A[25:16] | EIM_A[25:16] | EIM_A[25:16] | EIM_A[25:16] | EIM_D[9:0] |
| D[7:0], EIM_EB0 | EIM_D[7:0] | — | EIM_D[7:0] | EIM_DA[7:0] | EIM_DA[7:0] |
| D[15:8], EIM_EB1 | — | EIM_D[15:8] | EIM_D[15:8] | EIM_DA[15:8] | EIM_DA[15:8] |
| D[23:16], EIM_EB2 | — | — | — | — | EIM_D[7:0] |
| D[31:24], EIM_EB3 | — | — | — | — | EIM_D[15:8] |

¹ For more information on configuration ports mentioned in this table, see the i.MX 6ULL reference manual.

4.9.3.2 General EIM Timing-Synchronous Mode

Figure 9, Figure 10, and Table 39 specify the timings related to the EIM module. All EIM output control signals may be asserted and deasserted by an internal clock synchronized to the EIM_BCLK rising edge according to corresponding assertion/negation control fields.

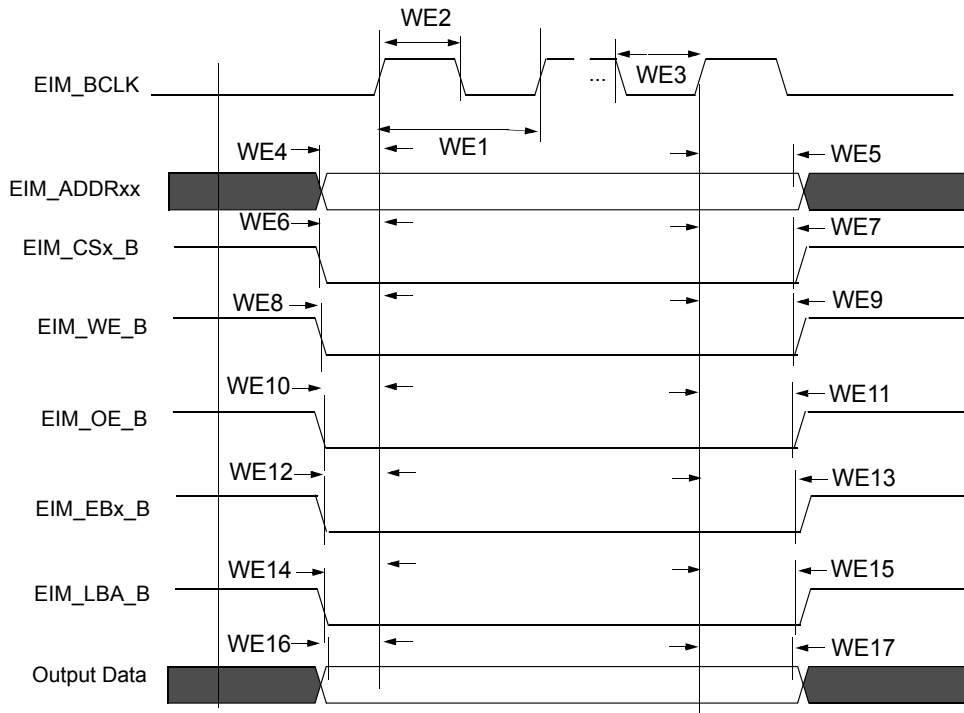


Figure 9. EIM Outputs Timing Diagram

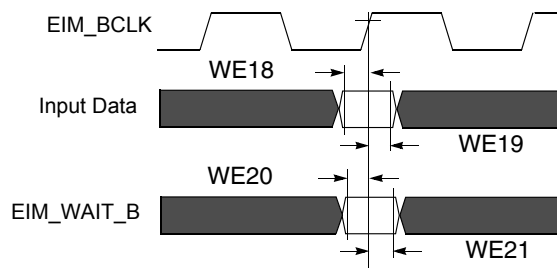


Figure 10. EIM Inputs Timing Diagram

4.9.3.3 Examples of EIM Synchronous Accesses

Table 39. EIM Bus Timing Parameters ¹

| ID | Parameter | BCD = 0 | | BCD = 1 | | BCD = 2 | | BCD = 3 | |
|-----|----------------------------------|---------|-----|---------|-----|---------|-----|---------|-----|
| | | Min | Max | Min | Max | Min | Max | Min | Max |
| WE1 | EIM_BCLK Cycle time ² | t | — | 2 x t | — | 3 x t | — | 4 x t | — |
| WE2 | EIM_BCLK Low Level Width | 0.4 x t | — | 0.8 x t | — | 1.2 x t | — | 1.6 x t | — |
| WE3 | EIM_BCLK High Level Width | 0.4 x t | — | 0.8 x t | — | 1.2 x t | — | 1.6 x t | — |

Table 39. EIM Bus Timing Parameters (continued)¹

| ID | Parameter | BCD = 0 | | BCD = 1 | | BCD = 2 | | BCD = 3 | |
|------|--|------------------------|------------------------|------------|------------|------------------------|------------------------|----------------------|----------------------|
| | | Min | Max | Min | Max | Min | Max | Min | Max |
| WE4 | Clock rise to address valid ³ | $-0.5 \times t - 1.25$ | $-0.5 \times t + 1.75$ | $t - 1.25$ | $t + 1.75$ | $-1.5 \times t - 1.25$ | $-1.5 \times t + 1.75$ | $-2 \times t - 1.25$ | $-2 \times t + 1.75$ |
| WE5 | Clock rise to address invalid | $0.5 \times t - 1.25$ | $0.5 \times t + 1.75$ | $t - 1.25$ | $t + 1.75$ | $1.5 \times t - 1.25$ | $1.5 \times t + 1.75$ | $2 \times t - 1.25$ | $2 \times t + 1.75$ |
| WE6 | Clock rise to EIM_CSx_B valid | $-0.5 \times t - 1.25$ | $-0.5 \times t + 1.75$ | $t - 1.25$ | $t + 1.75$ | $-1.5 \times t - 1.25$ | $-1.5 \times t + 1.75$ | $-2 \times t - 1.25$ | $-2 \times t + 1.75$ |
| WE7 | Clock rise to EIM_CSx_B invalid | $0.5 \times t - 1.25$ | $0.5 \times t + 1.75$ | $t - 1.25$ | $t + 1.75$ | $1.5 \times t - 1.25$ | $1.5 \times t + 1.75$ | $2 \times t - 1.25$ | $2 \times t + 1.75$ |
| WE8 | Clock rise to EIM_WE_B Valid | $-0.5 \times t - 1.25$ | $-0.5 \times t + 1.75$ | $t - 1.25$ | $t + 1.75$ | $-1.5 \times t - 1.25$ | $-1.5 \times t + 1.75$ | $-2 \times t - 1.25$ | $-2 \times t + 1.75$ |
| WE9 | Clock rise to EIM_WE_B Invalid | $0.5 \times t - 1.25$ | $0.5 \times t + 1.75$ | $t - 1.25$ | $t + 1.75$ | $1.5 \times t - 1.25$ | $1.5 \times t + 1.75$ | $2 \times t - 1.25$ | $2 \times t + 1.75$ |
| WE10 | Clock rise to EIM_OE_B Valid | $-0.5 \times t - 1.25$ | $-0.5 \times t + 1.75$ | $t - 1.25$ | $t + 1.75$ | $-1.5 \times t - 1.25$ | $-1.5 \times t + 1.75$ | $-2 \times t - 1.25$ | $-2 \times t + 1.75$ |
| WE11 | Clock rise to EIM_OE_B Invalid | $0.5 \times t - 1.25$ | $0.5 \times t + 1.75$ | $t - 1.25$ | $t + 1.75$ | $1.5 \times t - 1.25$ | $1.5 \times t + 1.75$ | $2 \times t - 1.25$ | $2 \times t + 1.75$ |
| WE12 | Clock rise to EIM_EBx_B Valid | $-0.5 \times t - 1.25$ | $-0.5 \times t + 1.75$ | $t - 1.25$ | $t + 1.75$ | $-1.5 \times t - 1.25$ | $-1.5 \times t + 1.75$ | $-2 \times t - 1.25$ | $-2 \times t + 1.75$ |
| WE13 | Clock rise to EIM_EBx_B Invalid | $0.5 \times t - 1.25$ | $0.5 \times t + 1.75$ | $t - 1.25$ | $t + 1.75$ | $1.5 \times t - 1.25$ | $1.5 \times t + 1.75$ | $2 \times t - 1.25$ | $2 \times t + 1.75$ |
| WE14 | Clock rise to EIM_LBA_B Valid | $-0.5 \times t - 1.25$ | $-0.5 \times t + 1.75$ | $t - 1.25$ | $t + 1.75$ | $-1.5 \times t - 1.25$ | $-1.5 \times t + 1.75$ | $-2 \times t - 1.25$ | $-2 \times t + 1.75$ |
| WE15 | Clock rise to EIM_LBA_B Invalid | $0.5 \times t - 1.25$ | $0.5 \times t + 1.75$ | $t - 1.25$ | $t + 1.75$ | $1.5 \times t - 1.25$ | $1.5 \times t + 1.75$ | $2 \times t - 1.25$ | $2 \times t + 1.75$ |
| WE16 | Clock rise to Output Data Valid | $-0.5 \times t - 1.25$ | $-0.5 \times t + 1.75$ | $t - 1.25$ | $t + 1.75$ | $-1.5 \times t - 1.25$ | $-1.5 \times t + 1.75$ | $-2 \times t - 1.25$ | $-2 \times t + 1.75$ |
| WE17 | Clock rise to Output Data Invalid | $0.5 \times t - 1.25$ | $0.5 \times t + 1.75$ | $t - 1.25$ | $t + 1.75$ | $1.5 \times t - 1.25$ | $1.5 \times t + 1.75$ | $2 \times t - 1.25$ | $2 \times t + 1.75$ |
| WE18 | Input Data setup time to Clock rise | 2 | — | 4 | — | — | — | — | — |
| WE19 | Input Data hold time from Clock rise | 2 | — | 2 | — | — | — | — | — |
| WE20 | EIM_WAIT_B setup time to Clock rise | 2 | — | 4 | — | — | — | — | — |
| WE21 | EIM_WAIT_B hold time from Clock rise | 2 | — | 2 | — | — | — | — | — |

Electrical Characteristics

¹ t is the maximum EIM logic (axi_clk) cycle time. The maximum allowed axi_clk frequency depends on the fixed/non-fixed latency configuration, whereas the maximum allowed EIM_BCLK frequency is:

- Fixed latency for both read and write is 132 MHz.
- Variable latency for read only is 132 MHz.
- Variable latency for write only is 52 MHz.

In variable latency configuration for write, if BCD = 0 & WBCDD = 1 or BCD = 1, axi_clk must be 104 MHz. Write BCD = 1 and 104 MHz axi_clk, will result in an EIM_BCLK of 52 MHz. When the clock branch to EIM is decreased to 104 MHz, other buses are impacted which are clocked from this source. See the CCM chapter of the *i.MX 6ULL Reference Manual (IMX6ULLRM)* for a detailed clock tree description.

² EIM_BCLK parameters are being measured from the 50% point, that is, high is defined as 50% of signal value and low is defined as 50% as signal value.

³ For signal measurements, “High” is defined as 80% of signal value and “Low” is defined as 20% of signal value.

Figure 11 to Figure 14 provide few examples of basic EIM accesses to external memory devices with the timing parameters mentioned previously for specific control parameters settings.



Figure 11. Synchronous Memory Read Access, WSC=1

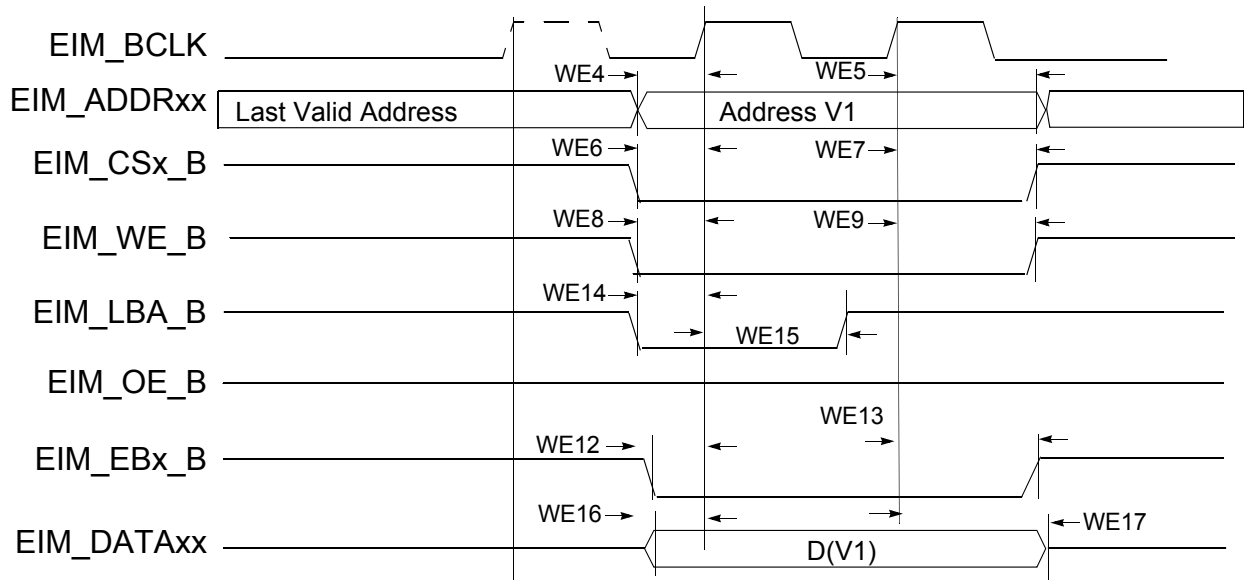


Figure 12. Synchronous Memory, Write Access, WSC=1, WBEA=0 and WADV=0



Figure 13. Muxed Address/Data (A/D) Mode, Synchronous Write Access, WSC=6, ADVA=0, ADVN=1, and ADH=1

NOTE

In 32-bit muxed address/data (A/D) mode the 16 MSBs are driven on the data bus.

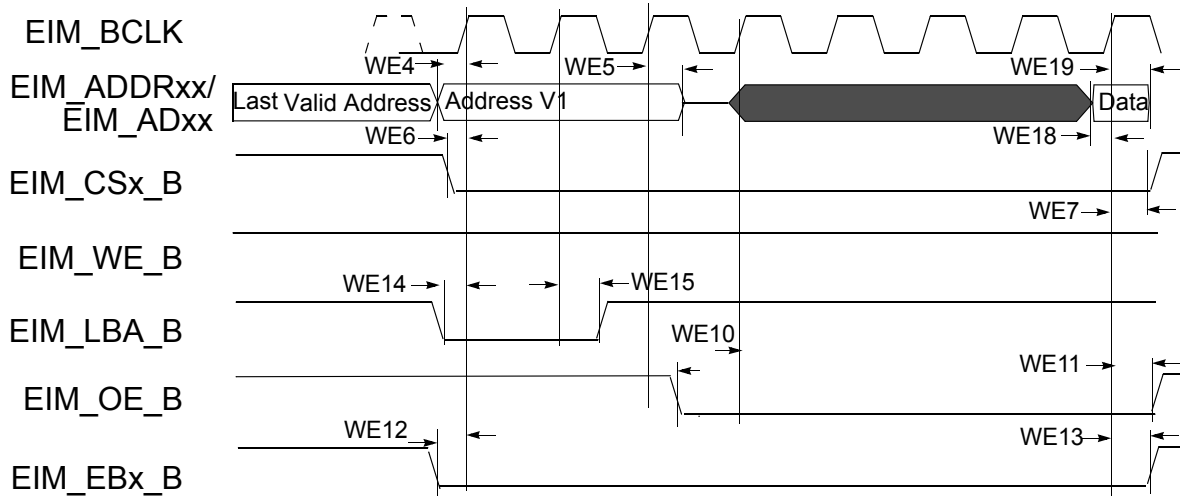


Figure 14. 16-Bit Muxed A/D Mode, Synchronous Read Access, WSC=7, RADVN=1, ADH=1, OEA=0

4.9.3.4 General EIM Timing-Asynchronous Mode

Figure 15 through Figure 19, and Table 40 help to determine timing parameters relative to the chip select (CS) state for asynchronous and DTACK EIM accesses with corresponding EIM bit fields and the timing parameters mentioned above.

Asynchronous read & write access length in cycles may vary from what is shown in Figure 15 through Figure 18 as RWSC, OEN and CSN is configured differently. See the *i.MX 6ULL Reference Manual (IMX6ULLRM)* for the EIM programming model.

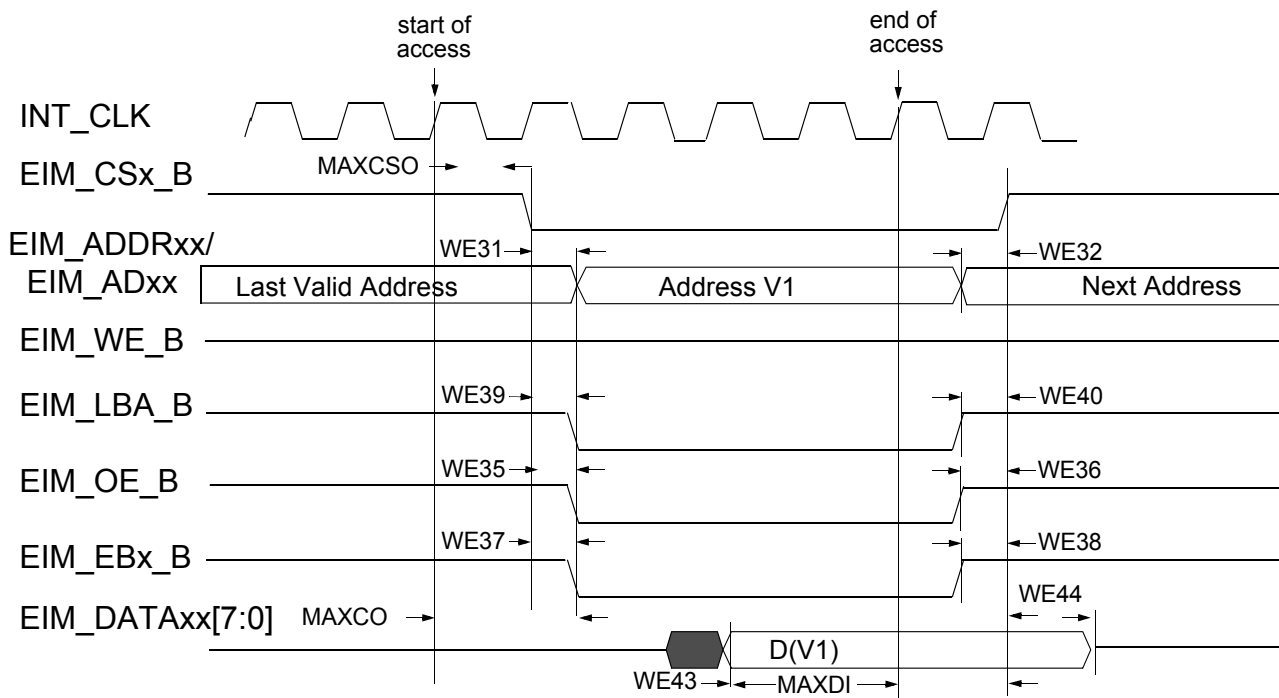


Figure 15. Asynchronous Memory Read Access (RWSC = 5)



Figure 16. Asynchronous A/D Muxed Read Access (RWSC = 5)



Figure 17. Asynchronous Memory Write Access



Figure 18. Asynchronous A/D Muxed Write Access



Figure 19. DTACK Mode Read Access (DAP=0)

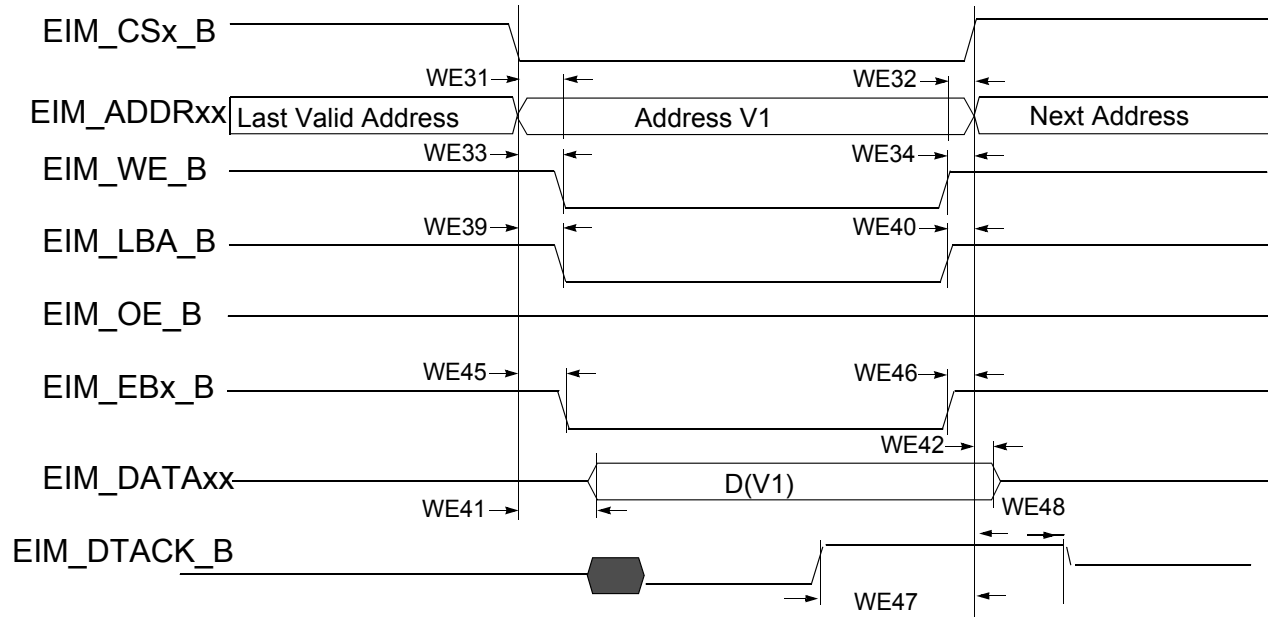


Figure 20. DTACK Mode Write Access (DAP=0)

Table 40. EIM Asynchronous Timing Parameters Table Relative Chip to Select

| Ref No. | Parameter | Determination by Synchronous measured parameters ¹ | Min | Max (If 132 MHz is supported by SoC) | Unit |
|-------------------|--|---|---|--|------|
| WE31 | EIM_CSx_B valid to Address Valid | WE4 - WE6 - CSA ² | — | 3 - CSA | ns |
| WE32 | Address Invalid to EIM_CSx_B invalid | WE7 - WE5 - CSN ³ | — | 3 - CSN | ns |
| WE32A(mixed A/D) | EIM_CSx_B valid to Address Invalid | $t^4 + WE4 - WE7 + (ADV_N^5 + ADVA^6 + 1 - CSA)$ | $-3 + (ADV_N + ADVA + 1 - CSA)$ | — | ns |
| WE33 | EIM_CSx_B Valid to EIM_WE_B Valid | WE8 - WE6 + (WEA - WCSA) | — | 3 + (WEA - WCSA) | ns |
| WE34 | EIM_WE_B Invalid to EIM_CSx_B Invalid | WE7 - WE9 + (WEN - WCSN) | — | 3 - (WEN - WCSN) | ns |
| WE35 | EIM_CSx_B Valid to EIM_OE_B Valid | WE10 - WE6 + (OEA - RCSA) | — | 3 + (OEA - RCSA) | ns |
| WE35A (mixed A/D) | EIM_CSx_B Valid to EIM_OE_B Valid | WE10 - WE6 + (OEA + RADVN + RADVA + ADH + 1 - RCSA) | $-3 + (OEA + RADVN + RADVA + ADH + 1 - RCSA)$ | 3 + (OEA + RADVN + RADVA + ADH + 1 - RCSA) | ns |
| WE36 | EIM_OE_B Invalid to EIM_CSx_B Invalid | WE7 - WE11 + (OEN - RCSN) | — | 3 - (OEN - RCSN) | ns |
| WE37 | EIM_CSx_B Valid to EIM_EBx_B Valid (Read access) | WE12 - WE6 + (RBEA - RCSA) | — | 3 + (RBEA - RCSA) | ns |

Electrical Characteristics

Table 40. EIM Asynchronous Timing Parameters Table Relative Chip to Select (continued)

| Ref No. | Parameter | Determination by Synchronous measured parameters ¹ | Min | Max (If 132 MHz is supported by SoC) | Unit |
|----------------------|---|---|-------------------------------|---|------|
| WE38 | EIM_EBx_B Invalid to EIM_CSx_B Invalid (Read access) | WE7 - WE13 + (RBEN - RCSN) | — | 3 - (RBEN - RCSN) | ns |
| WE39 | EIM_CSx_B Valid to EIM_LBA_B Valid | WE14 - WE6 + (ADVA - CSA) | — | 3 + (ADVA - CSA) | ns |
| WE40 | EIM_LBA_B Invalid to EIM_CSx_B Invalid (ADV_L is asserted) | WE7 - WE15 - CSN | — | 3 - CSN | ns |
| WE40A (muxed A/D) | EIM_CSx_B Valid to EIM_LBA_B Invalid | WE14 - WE6 + (ADV_N + ADVA + 1 - CSA) | -3 + (ADV_N + ADVA + 1 - CSA) | 3 + (ADV_N + ADVA + 1 - CSA) | ns |
| WE41 | EIM_CSx_B Valid to Output Data Valid | WE16 - WE6 - WCSA | — | 3 - WCSA | ns |
| WE41A (muxed A/D) | EIM_CSx_B Valid to Output Data Valid | WE16 - WE6 + (WADV_N + WADVA + ADH + 1 - WCSA) | — | 3 + (WADV_N + WADVA + ADH + 1 - WCSA) | ns |
| WE42 | Output Data Invalid to EIM_CSx_B Invalid | WE17 - WE7 - CSN | — | 3 - CSN | ns |
| MAXCO | Output maximum delay from internal driving EIM_ADDRxx/control FFs to chip outputs | 10 | — | — | ns |
| MAXCSO | Output maximum delay from CSx internal driving FFs to CSx out | 10 | — | — | ns |
| MAXDI | EIM_DATAxx maximum delay from chip input data to its internal FF | 5 | — | — | ns |
| WE43 | Input Data Valid to EIM_CSx_B Invalid | MAXCO - MAXCSO + MAXDI | MAXCO - MAXCSO + MAXDI | — | ns |
| WE44 | EIM_CSx_B Invalid to Input Data invalid | 0 | 0 | — | ns |
| WE45 | EIM_CSx_B Valid to EIM_EBx_B Valid (Write access) | WE12 - WE6 + (WBEA - WCSA) | — | 3 + (WBEA - WCSA) | ns |
| WE46 | EIM_EBx_B Invalid to EIM_CSx_B Invalid (Write access) | WE7 - WE13 + (WBEN - WCSN) | — | -3 + (WBEN - WCSN) | ns |

Table 40. EIM Asynchronous Timing Parameters Table Relative Chip to Select (continued)

| Ref No. | Parameter | Determination by Synchronous measured parameters ¹ | Min | Max (If 132 MHz is supported by SoC) | Unit |
|---------|--|---|-------------------------|--------------------------------------|------|
| MAXDTI | MAXIMUM delay from EIM_DTACK_B to its internal FF + 2 cycles for synchronization | 10 | — | — | — |
| WE47 | EIM_DTACK_B Active to EIM_CSx_B Invalid | MAXCO - MAXCSO + MAXDTI | MAXCO - MAXCSO + MAXDTI | — | ns |
| WE48 | EIM_CSx_B Invalid to EIM_DTACK_B Invalid | 0 | 0 | — | ns |

¹ For more information on configuration parameters mentioned in this table, see the *i.MX 6ULL Reference Manual (IMX6ULLRM)*.

² In this table, CSA means WCSA when write operation or RCSA when read operation.

³ In this table, CSN means WCSN when write operation or RCSN when read operation.

⁴ t is axi_clk cycle time.

⁵ In this table, ADVN means WADVN when write operation or RADVN when read operation.

⁶ In this table, ADVA means WADVA when write operation or RADVA when read operation.

4.10 Multi-Mode DDR Controller (MMDC)

The Multi-Mode DDR Controller is a dedicated interface to DDR3/DDR3L/LPDDR2 SDRAM.

4.10.1 MMDC compatibility with JEDEC-compliant SDRAMs

The i.MX 6ULL MMDC supports the following memory types:

- LPDDR2 SDRAM compliant with JESD209-2B LPDDR2 JEDEC standard release June, 2009
- DDR3/DDR3L SDRAM compliant with JESD79-3D DDR3 JEDEC standard release April, 2008

MMDC operation with the standards stated above is contingent upon the board DDR design adherence to the DDR design and layout requirements stated in the *Hardware Development Guide for the i.MX 6ULL Applications Processor (IMX6ULLHDG)*.

4.10.2 MMDC supported DDR3/DDR3L/LPDDR2 configurations

Table 41 shows the supported DDR3/DDR3L/LPDDR2 configurations:

Table 41. i.MX 6ULL Supported DDR3/DDR3L/LPDDR2 Configurations

| Parameter | DDR3 | DDR3L | LDDR2 |
|-----------------|---------|---------|---------|
| Clock frequency | 400 MHz | 400 MHz | 400 MHz |
| Bus width | 16-bit | 16-bit | 16-bit |
| Channel | Single | Single | Single |
| Chip selects | 2 | 2 | 2 |

4.11 General-Purpose Media Interface (GPMI) Timing

The i.MX 6ULL GPMI controller is a flexible interface NAND Flash controller with 8-bit data width, up to 200 MB/s I/O speed and individual chip select.

It supports Asynchronous timing mode, Source Synchronous timing mode and Samsung Toggle timing mode separately described in the following subsections.

4.11.1 Asynchronous Mode AC Timing (ONFI 1.0 Compatible)

Asynchronous mode AC timings are provided as multiplications of the clock cycle and fixed delay. The maximum I/O speed of GPMI in asynchronous mode is about 50 MB/s. Figure 21 through Figure 24 depicts the relative timing between GPMI signals at the module level for different operations under asynchronous mode. Table 42 describes the timing parameters (NF1–NF17) that are shown in the figures.

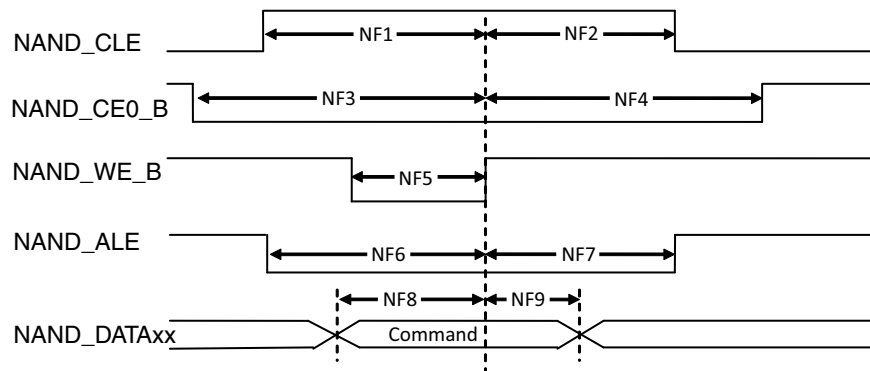


Figure 21. Command Latch Cycle Timing Diagram

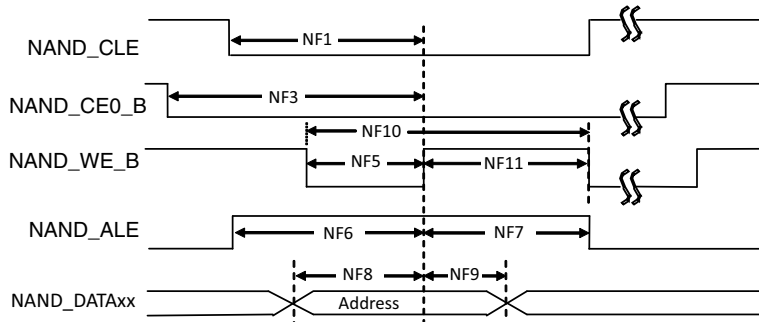


Figure 22. Address Latch Cycle Timing Diagram



Figure 23. Write Data Latch Cycle Timing Diagram

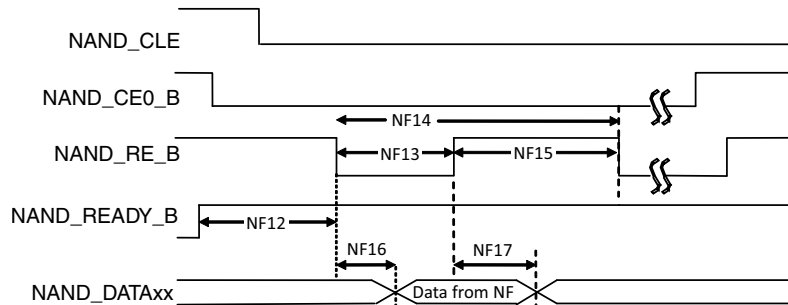


Figure 24. Read Data Latch Cycle Timing Diagram (Non-EDO Mode)



Figure 25. Read Data Latch Cycle Timing Diagram (EDO Mode)

Table 42. Asynchronous Mode Timing Parameters¹

| ID | Parameter | Symbol | Timing T = GPMI Clock Cycle | | Unit |
|-----|-----------------------|--------|---|------|------|
| | | | Min. | Max. | |
| NF1 | NAND_CLE setup time | tCLS | $(AS + DS) \times T - 0.12$ [see ^{2,3}] | | ns |
| NF2 | NAND_CLE hold time | tCLH | $DH \times T - 0.72$ [see ²] | | ns |
| NF3 | NAND_CE0_B setup time | tCS | $(AS + DS + 1) \times T$ [see ^{3,2}] | | ns |
| NF4 | NAND_CE0_B hold time | tCH | $(DH+1) \times T - 1$ [see ²] | | ns |
| NF5 | NAND_WE_B pulse width | tWP | $DS \times T$ [see ²] | | ns |

Table 42. Asynchronous Mode Timing Parameters¹ (continued)

| ID | Parameter | Symbol | Timing T = GPMI Clock Cycle | | Unit |
|------|--------------------------|------------------|---|--|------|
| | | | Min. | Max. | |
| NF6 | NAND_ALE setup time | tALS | $(AS + DS) \times T - 0.49$ [see ^{3,2}] | | ns |
| NF7 | NAND_ALE hold time | tALH | $(DH \times T - 0.42$ [see ²] | | ns |
| NF8 | Data setup time | tDS | $DS \times T - 0.26$ [see ²] | | ns |
| NF9 | Data hold time | tDH | $DH \times T - 1.37$ [see ²] | | ns |
| NF10 | Write cycle time | tWC | $(DS + DH) \times T$ [see ²] | | ns |
| NF11 | NAND_WE_B hold time | tWH | $DH \times T$ [see ²] | | ns |
| NF12 | Ready to NAND_RE_B low | tRR ⁴ | $(AS + 2) \times T$ [see ^{3,2}] | — | ns |
| NF13 | NAND_RE_B pulse width | tRP | $DS \times T$ [see ²] | | ns |
| NF14 | READ cycle time | tRC | $(DS + DH) \times T$ [see ²] | | ns |
| NF15 | NAND_RE_B high hold time | tREH | $DH \times T$ [see ²] | | ns |
| NF16 | Data setup on read | tDSR | — | $(DS \times T - 0.67)/18.38$ [see ^{5,6}] | ns |
| NF17 | Data hold on read | tDHR | $0.82/11.83$ [see ^{5,6}] | — | ns |

¹ GPMI's Async Mode output timing can be controlled by the module's internal registers HW_GPMI_TIMING0_ADDRESS_SETUP, HW_GPMI_TIMING0_DATA_SETUP, and HW_GPMI_TIMING0_DATA_HOLD. This AC timing depends on these registers settings. In the table, AS/DS/DH represents each of these settings.

² AS minimum value can be 0, while DS/DH minimum value is 1.

³ T = GPMI clock period -0.075ns (half of maximum p-p jitter).

⁴ NF12 is guaranteed by the design.

⁵ Non-EDO mode.

⁶ EDO mode, GPMI clock \approx 100 MHz
(AS=DS=DH=1, GPMI_CTL1 [RDN_DELAY] = 8, GPMI_CTL1 [HALF_PERIOD] = 0).

In EDO mode (Figure 24), NF16/NF17 is different from the definition in non-EDO mode (Figure 23). They are called tREA/tRHOH (RE# access time/RE# HIGH to output hold). The typical values for them are 16 ns (max for tREA)/15 ns (min for tRHOH) at 50 MB/s EDO mode. In EDO mode, GPMI will sample NAND_DATAxx at rising edge of delayed NAND_RE_B provided by an internal DPLL. The delay value can be controlled by GPMI_CTRL1.RDN_DELAY (see the GPMI chapter of the *i.MX 6ULL Reference Manual*). The typical value of this control register is 0x8 at 50 MT/s EDO mode. But if the board delay is big enough and cannot be ignored, the delay value should be made larger to compensate the board delay.

4.11.2 Source Synchronous Mode AC Timing (ONFI 2.x Compatible)

Figure 26 to Figure 28 show the write and read timing of Source Synchronous Mode.



Figure 26. Source Synchronous Mode Command and Address Timing Diagram

Electrical Characteristics



Figure 27. Source Synchronous Mode Data Write Timing Diagram



Figure 28. Source Synchronous Mode Data Read Timing Diagram



Figure 29. NAND_DQS/NAND_DQ Read Valid Window

Table 43. Source Synchronous Mode Timing Parameters¹

| ID | Parameter | Symbol | Timing T = GPMI Clock Cycle | | Unit |
|------|--|--------|---|------|------|
| | | | Min. | Max. | |
| NF18 | NAND_CE0_B access time | tCE | CE_DELAY × T - 0.79 [see ²] | | ns |
| NF19 | NAND_CE0_B hold time | tCH | 0.5 × tCK - 0.63 [see ²] | | ns |
| NF20 | Command/address NAND_DATAxx setup time | tCAS | 0.5 × tCK - 0.05 | | ns |
| NF21 | Command/address NAND_DATAxx hold time | tCAH | 0.5 × tCK - 1.23 | | ns |
| NF22 | Clock period | tCK | — | | ns |
| NF23 | Preamble delay | tPRE | PRE_DELAY × T - 0.29 [see ²] | | ns |
| NF24 | Postamble delay | tPOST | POST_DELAY × T - 0.78 [see ²] | | ns |
| NF25 | NAND_CLE and NAND_ALE setup time | tCALS | 0.5 × tCK - 0.86 | | ns |
| NF26 | NAND_CLE and NAND_ALE hold time | tCALH | 0.5 × tCK - 0.37 | | ns |
| NF27 | NAND_CLK to first NAND_DQS latching transition | tDQSS | T - 0.41 [see ²] | | ns |
| NF28 | Data write setup | — | 0.25 × tCK - 0.35 | | — |
| NF29 | Data write hold | — | 0.25 × tCK - 0.85 | | — |
| NF30 | NAND_DQS/NAND_DQ read setup skew | — | — | 2.06 | — |
| NF31 | NAND_DQS/NAND_DQ read hold skew | — | — | 1.95 | — |

¹ GPMI's source synchronous mode output timing can be controlled by the module's internal registers GPMI_TIMING2_CE_DELAY, GPMI_TIMING2_PREAMBLE_DELAY, GPMI_TIMING2_POST_DELAY. This AC timing depends on these registers settings. In the table, CE_DELAY/PRE_DELAY/POST_DELAY represents each of these settings.

² T = tCK(GPMI clock period) - 0.075ns (half of maximum p-p jitter).

For DDR Source sync mode, Figure 29 shows the timing diagram of NAND_DQS/NAND_DATAxx read valid window. The typical value of tDQSS is 0.85ns (max) and 1ns (max) for tQHS at 200MB/s. GPMI will sample NAND_DATA[7:0] at both rising and falling edge of a delayed NAND_DQS signal, which can be provided by an internal DPLL. The delay value can be controlled by GPMI register GPMI_READ_DDR_DLL_CTRL.SLV_DLY_TARGET (see the GPMI chapter of the *i.MX 6ULL Reference Manual*). Generally, the typical delay value of this register is equal to 0x7 which means 1/4

clock cycle delay expected. But if the board delay is big enough and cannot be ignored, the delay value should be made larger to compensate the board delay.

4.11.3 Samsung Toggle Mode AC Timing

4.11.3.1 Command and Address Timing

NOTE

Samsung Toggle Mode command and address timing is the same as ONFI 1.0 compatible Async mode AC timing. See [Section 4.11.1, “Asynchronous Mode AC Timing \(ONFI 1.0 Compatible\)”](#), for details.

4.11.3.2 Read and Write Timing



Figure 30. Samsung Toggle Mode Data Write Timing

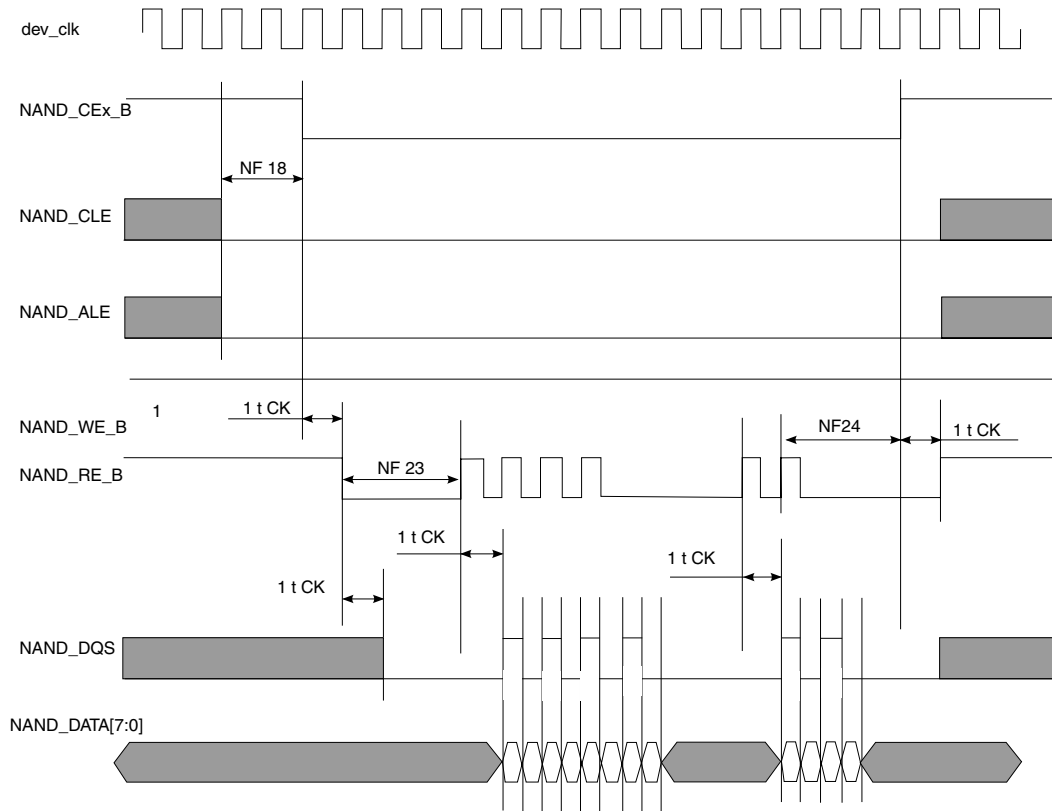


Figure 31. Samsung Toggle Mode Data Read Timing

Table 44. Samsung Toggle Mode Timing Parameters¹

| ID | Parameter | Symbol | Timing T = GPMLI Clock Cycle | | Unit |
|------|--|--------|---|------|------|
| | | | Min. | Max. | |
| NF1 | NAND_CLE setup time | tCLS | $(AS + DS) \times T - 0.12$ [see ^{2,3}] | | — |
| NF2 | NAND_CLE hold time | tCLH | $DH \times T - 0.72$ [see ²] | | — |
| NF3 | NAND_CE0_B setup time | tCS | $(AS + DS) \times T - 0.58$ [see ^{3,2}] | | — |
| NF4 | NAND_CE0_B hold time | tCH | $DH \times T - 1$ [see ²] | | — |
| NF5 | NAND_WE_B pulse width | tWP | $DS \times T$ [see ²] | | — |
| NF6 | NAND_ALE setup time | tALS | $(AS + DS) \times T - 0.49$ [see ^{3,2}] | | — |
| NF7 | NAND_ALE hold time | tALH | $DH \times T - 0.42$ [see ²] | | — |
| NF8 | Command/address NAND_DATAxx setup time | tCAS | $DS \times T - 0.26$ [see ²] | | — |
| NF9 | Command/address NAND_DATAxx hold time | tCAH | $DH \times T - 1.37$ [see ²] | | — |
| NF18 | NAND_CEx_B access time | tCE | $CE_DELAY \times T$ [see ^{4,2}] | — | ns |
| NF22 | clock period | tCK | — | — | ns |

Table 44. Samsung Toggle Mode Timing Parameters¹ (continued)

| ID | Parameter | Symbol | Timing T = GPMI Clock Cycle | | Unit |
|------|----------------------------------|--------------------|---|------|------|
| | | | Min. | Max. | |
| NF23 | preamble delay | tPRE | PRE_DELAY × T [see ^{5,2}] | — | ns |
| NF24 | postamble delay | tPOST | POST_DELAY × T + 0.43 [see ²] | — | ns |
| NF28 | Data write setup | tDS ⁶ | 0.25 × tCK - 0.32 | — | ns |
| NF29 | Data write hold | tDH ⁶ | 0.25 × tCK - 0.79 | — | ns |
| NF30 | NAND_DQS/NAND_DQ read setup skew | tDQSQ ₇ | — | 3.18 | — |
| NF31 | NAND_DQS/NAND_DQ read hold skew | tQHS ⁷ | — | 3.27 | — |

¹ The GPMI toggle mode output timing can be controlled by the module's internal registers HW_GPMI_TIMING0_ADDRESS_SETUP, HW_GPMI_TIMING0_DATA_SETUP, and HW_GPMI_TIMING0_DATA_HOLD. This AC timing depends on these registers settings. In the table, AS/DS/DH represents each of these settings.

² AS minimum value can be 0, while DS/DH minimum value is 1.

³ T = tCK (GPMI clock period) - 0.075ns (half of maximum p-p jitter).

⁴ CE_DELAY represents HW_GPMI_TIMING2[CE_DELAY]. NF18 is guaranteed by the design. Read/Write operation is started with enough time of ALE/CLE assertion to low level.

⁵ PRE_DELAY + 1) ≥ (AS + DS)

⁶ Shown in Figure 30.

⁷ Shown in Figure 31.

For DDR Toggle mode, Figure 29 shows the timing diagram of NAND_DQS/NAND_DATA_{xx} read valid window. The typical value of tDQSQ is 1.4 ns (max) and 1.4 ns (max) for tQHS at 133 MB/s. GPMI will sample NAND_DATA[7:0] at both rising and falling edge of an delayed NAND_DQS signal, which is provided by an internal DPLL. The delay value of this register can be controlled by GPMI register GPMI_READ_DDR_DLL_CTRL.SLV_DLY_TARGET (see the GPMI chapter of the *i.MX 6ULL Reference Manual*). Generally, the typical delay value is equal to 0x7 which means 1/4 clock cycle delay expected. But if the board delay is big enough and cannot be ignored, the delay value should be made larger to compensate the board delay.

4.12 External Peripheral Interface Parameters

The following subsections provide information on external peripheral interfaces.

4.12.1 CMOS Sensor Interface (CSI) Timing Parameters

4.12.1.0.1 Gated Clock Mode Timing

Figure 32 and Figure 33 shows the gated clock mode timings for CSI, and Table 45 describes the timing parameters (P1–P7) shown in the figures. A frame starts with a rising/falling edge on CSI_VSYNC

(VSYNC), then CSI_HSYNC (HSYNC) is asserted and holds for the entire line. The pixel clock, CSI_PIXCLK (PIXCLK), is valid as long as HSYNC is asserted.

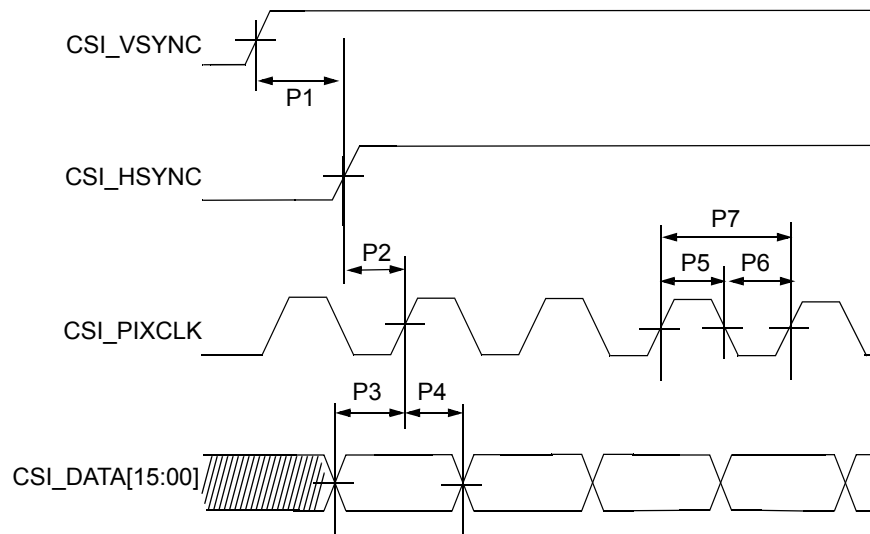


Figure 32. CSI Gated Clock Mode—Sensor Data at Falling Edge, Latch Data at Rising Edge

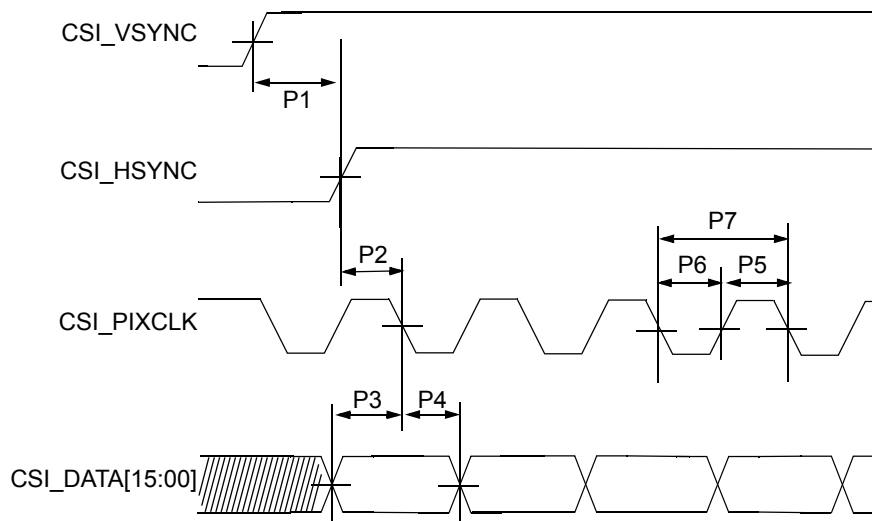


Figure 33. CSI Gated Clock Mode—Sensor Data at Rising Edge, Latch Data at Falling Edge

Table 45. CSI Gated Clock Mode Timing Parameters

| ID | Parameter | Symbol | Min. | Max. | Units |
|----|-----------------------------|--------|------|------|-------|
| P1 | CSI_VSYNC to CSI_HSYNC time | tV2H | 33.5 | — | ns |
| P2 | CSI_HSYNC setup time | tHsu | 1 | — | ns |
| P3 | CSI DATA setup time | tDsu | 1 | — | ns |
| P4 | CSI DATA hold time | tDh | 1 | — | ns |
| P5 | CSI pixel clock high time | tCLKh | 3.75 | — | ns |

Table 45. CSI Gated Clock Mode Timing Parameters (continued)

| ID | Parameter | Symbol | Min. | Max. | Units |
|----|---------------------------|--------|------|-------|-------|
| P6 | CSI pixel clock low time | tCLKI | 3.75 | — | ns |
| P7 | CSI pixel clock frequency | fCLK | — | 133.3 | MHz |

4.12.1.0.2 Ungated Clock Mode Timing

Figure 34 shows the ungated clock mode timings of CSI, and Table 46 describes the timing parameters (P1–P6) that are shown in the figure. In ungated mode the CSI_VSYNC and CSI_PIXCLK signals are used, and the CSI_HSYNC signal is ignored.

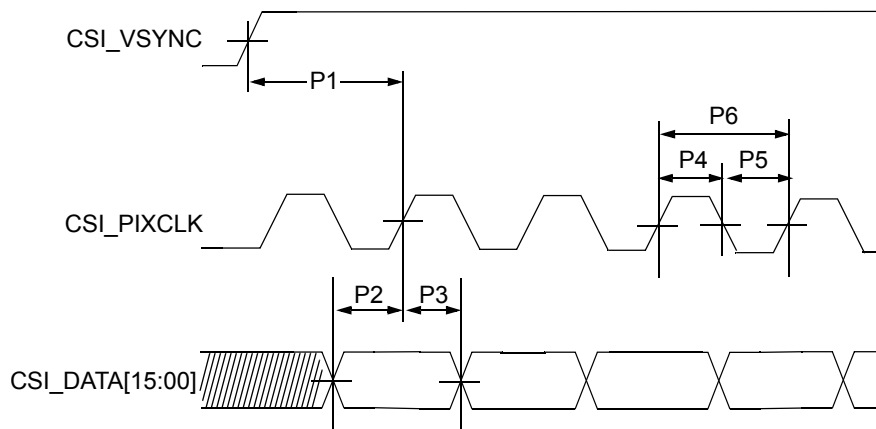


Figure 34. CSI Ungated Clock Mode—Sensor Data at Falling Edge, Latch Data at Rising Edge

Table 46. CSI Ungated Clock Mode Timing Parameters

| ID | Parameter | Symbol | Min. | Max. | Units |
|----|-------------------------------|--------|------|-------|-------|
| P1 | CSI_VSYNC to pixel clock time | tVSYNC | 33.5 | — | ns |
| P2 | CSI DATA setup time | tDsu | 1 | — | ns |
| P3 | CSI DATA hold time | tDh | 1 | — | ns |
| P4 | CSI pixel clock high time | tCLKh | 3.75 | — | ns |
| P5 | CSI pixel clock low time | tCLKI | 3.75 | — | ns |
| P6 | CSI pixel clock frequency | fCLK | — | 133.3 | MHz |

The CSI enables the chip to connect directly to external CMOS image sensors, which are classified as dumb or smart as follows:

- Dumb sensors only support traditional sensor timing (vertical sync (VSYNC) and horizontal sync (HSYNC)) and output-only Bayer and statistics data.
- Smart sensors support CCIR656 video decoder formats and perform additional processing of the image (for example, image compression, image pre-filtering, and various data output formats).

4.12.2 ECSPi Timing Parameters

This section describes the timing parameters of the ECSPi blocks. The ECSPi have separate timing parameters for master and slave modes.

4.12.2.1 ECSPi Master Mode Timing

Figure 35 depicts the timing of ECSPi in master mode. Table 47 lists the ECSPi master mode timing characteristics.

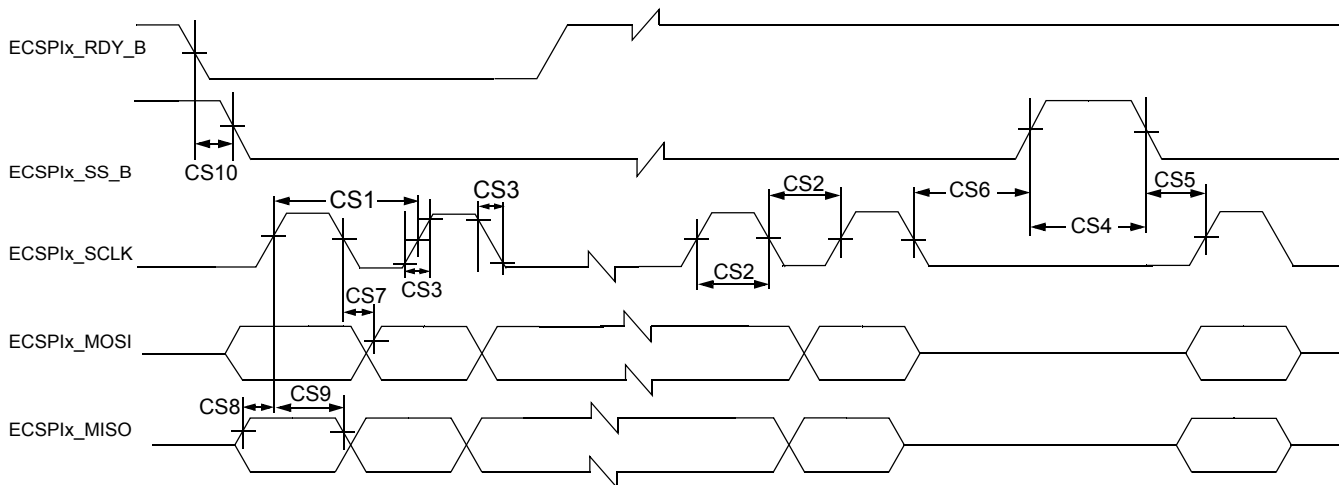


Figure 35. ECSPi Master Mode Timing Diagram

Table 47. ECSPi Master Mode Timing Parameters

| ID | Parameter | Symbol | Min | Max | Unit |
|------|---|-----------------|----------------------------|-----|------|
| CS1 | ECSPi_SCLK Cycle Time–Read ECSPi_SCLK Cycle Time–Write | t_{clk} | 43 15 | — | ns |
| CS2 | ECSPi_SCLK High or Low Time–Read ECSPi_SCLK High or Low Time–Write | t_{sw} | 21.5 7 | — | ns |
| CS3 | ECSPi_SCLK Rise or Fall ¹ | $t_{RISE/FALL}$ | — | — | ns |
| CS4 | ECSPi_SS_B pulse width | t_{CSLH} | Half ECSPi_SCLK period | — | ns |
| CS5 | ECSPi_SS_B Lead Time (CS setup time) | t_{SCS} | Half ECSPi_SCLK period - 4 | — | ns |
| CS6 | ECSPi_SS_B Lag Time (CS hold time) | t_{HCS} | Half ECSPi_SCLK period - 2 | — | ns |
| CS7 | ECSPi_MOSI Propagation Delay ($C_{LOAD} = 20$ pF) | t_{PDmosi} | -1 | 1 | ns |
| CS8 | ECSPi_MISO Setup Time | t_{Smiso} | 14 | — | ns |
| CS9 | ECSPi_MISO Hold Time | t_{Hmiso} | 0 | — | ns |
| CS10 | RDY to ECSPi_SS_B Time ² | t_{SDRY} | 5 | — | ns |

¹ See specific I/O AC parameters Section 4.7, "I/O AC Parameters".

² SPI_RDY is sampled internally by ipg_clk and is asynchronous to all other CSPI signals.

4.12.2.2 ECSPi Slave Mode Timing

Figure 36 depicts the timing of ECSPi in slave mode. Table 48 lists the ECSPi slave mode timing characteristics.



Figure 36. ECSPi Slave Mode Timing Diagram

Table 48. ECSPi Slave Mode Timing Parameters

| ID | Parameter | Symbol | Min | Max | Unit |
|-----|---|--------------|------------------------|-----|------|
| CS1 | ECSPi_SCLK Cycle Time–Read ECSPi_SCLK Cycle Time–Write | t_{clk} | 15 43 | — | ns |
| CS2 | ECSPi_SCLK High or Low Time–Read ECSPi_SCLK High or Low Time–Write | t_{sw} | 7 21.5 | — | ns |
| CS4 | ECSPi_SS_B pulse width | t_{CSLH} | Half ECSPi_SCLK period | — | ns |
| CS5 | ECSPi_SS_B Lead Time (CS setup time) | t_{SCS} | 5 | — | ns |
| CS6 | ECSPi_SS_B Lag Time (CS hold time) | t_{HCS} | 5 | — | ns |
| CS7 | ECSPi_MOSI Setup Time | t_{smosi} | 4 | — | ns |
| CS8 | ECSPi_MOSI Hold Time | t_{Hmosi} | 4 | — | ns |
| CS9 | ECSPi_MISO Propagation Delay ($C_{LOAD} = 20\text{ pF}$) | t_{PDmiso} | 4 | 19 | ns |

4.12.3 Enhanced Serial Audio Interface (ESAI) Timing Parameters

The ESAI consists of independent transmitter and receiver sections, each section with its own clock generator. Table 49 shows the interface timing values. The number field in the table refers to timing signals found in Figure 37 and Figure 38.

Table 49. Enhanced Serial Audio Interface (ESAI) Timing

| No. | Characteristics ^{1,2} | Symbol | Expression ² | Min | Max | Condition ³ | Unit |
|-----|--|-------------|--|--------------|--------------|------------------------|------|
| 62 | Clock cycle ⁴ | t_{SSICC} | $4 \times T_C$ $4 \times T_C$ | 30.0 30.0 | — — | i ck i ck | ns |
| 63 | Clock high period: • For internal clock • For external clock | — — | $2 \times T_C - 9.0$ $2 \times T_C$ | 6 15 | — — | — — | ns |
| 64 | Clock low period: • For internal clock • For external clock | — — | $2 \times T_C - 9.0$ $2 \times T_C$ | 6 15 | — — | — — | ns |
| 65 | ESAI_RX_CLK rising edge to ESAI_RX_FS out (bl) high | — — | — — | — — | 17.0 7.0 | x ck i ck a | ns |
| 66 | ESAI_RX_CLK rising edge to ESAI_RX_FS out (bl) low | — — | — — | — — | 17.0 7.0 | x ck i ck a | ns |
| 67 | ESAI_RX_CLK rising edge to ESAI_RX_FS out (wr) high ⁵ | — — | — — | — — | 19.0 9.0 | x ck i ck a | ns |
| 68 | ESAI_RX_CLK rising edge to ESAI_RX_FS out (wr) low ⁵ | — — | — — | — — | 19.0 9.0 | x ck i ck a | ns |
| 69 | ESAI_RX_CLK rising edge to ESAI_RX_FS out (wl) high | — — | — — | — — | 16.0 6.0 | x ck i ck a | ns |
| 70 | ESAI_RX_CLK rising edge to ESAI_RX_FS out (wl) low | — — | — — | — — | 17.0 7.0 | x ck i ck a | ns |
| 71 | Data in setup time before ESAI_RX_CLK (SCK in synchronous mode) falling edge | — — | — — | 12.0 19.0 | — — | x ck i ck | ns |
| 72 | Data in hold time after ESAI_RX_CLK falling edge | — — | — — | 3.5 9.0 | — — | x ck i ck | ns |
| 73 | ESAI_RX_FS input (bl, wr) high before ESAI_RX_CLK falling edge ⁵ | — — | — — | 2.0 12.0 | — — | x ck i ck a | ns |
| 74 | ESAI_RX_FS input (wl) high before ESAI_RX_CLK falling edge | — — | — — | 2.0 12.0 | — — | x ck i ck a | ns |
| 75 | ESAI_RX_FS input hold time after ESAI_RX_CLK falling edge | — — | — — | 2.5 8.5 | — — | x ck i ck a | ns |
| 76 | Flags input setup before ESAI_RX_CLK falling edge | — — | — — | 0.0 19.0 | — — | x ck i ck s | ns |
| 77 | Flags input hold time after ESAI_RX_CLK falling edge | — — | — — | 6.0 0.0 | — — | x ck i ck s | ns |
| 78 | ESAI_TX_CLK rising edge to ESAI_TX_FS out (bl) high | — — | — — | — — | 18.0 8.0 | x ck i ck | ns |
| 79 | ESAI_TX_CLK rising edge to ESAI_TX_FS out (bl) low | — — | — — | — — | 20.0 10.0 | x ck i ck | ns |
| 80 | ESAI_TX_CLK rising edge to ESAI_TX_FS out (wr) high ⁵ | — — | — — | — — | 20.0 10.0 | x ck i ck | ns |

Electrical Characteristics

Table 49. Enhanced Serial Audio Interface (ESAI) Timing (continued)

| No. | Characteristics ^{1,2} | Symbol | Expression ² | Min | Max | Condition ³ | Unit |
|-----|---|--------|-------------------------|-------------|--------------|------------------------|------|
| 81 | ESAI_TX_CLK rising edge to ESAI_TX_FS out (wr) low ⁵ | — — | — — | — — | 22.0 12.0 | x ck i ck | ns |
| 82 | ESAI_TX_CLK rising edge to ESAI_TX_FS out (wl) high | — — | — — | — — | 19.0 9.0 | x ck i ck | ns |
| 83 | ESAI_TX_CLK rising edge to ESAI_TX_FS out (wl) low | — — | — — | — — | 20.0 10.0 | x ck i ck | ns |
| 84 | ESAI_TX_CLK rising edge to data out enable from high impedance | — — | — — | — — | 22.0 17.0 | x ck i ck | ns |
| 85 | ESAI_TX_CLK rising edge to transmitter #0 drive enable assertion | — — | — — | — — | 17.0 11.0 | x ck i ck | ns |
| 86 | ESAI_TX_CLK rising edge to data out valid | — — | — — | — — | 18.0 13.0 | x ck i ck | ns |
| 87 | ESAI_TX_CLK rising edge to data out high impedance ⁶⁷ | — — | — — | — — | 21.0 16.0 | x ck i ck | ns |
| 88 | ESAI_TX_CLK rising edge to transmitter #0 drive enable deassertion ⁷ | — | — | — — | 14.0 9.0 | x ck i ck | ns |
| 89 | ESAI_TX_FS input (bl, wr) setup time before ESAI_TX_CLK falling edge ⁵ | — — | — — | 2.0 18.0 | — — | x ck i ck | ns |
| 90 | ESAI_TX_FS input (wl) setup time before ESAI_TX_CLK falling edge | — — | — — | 2.0 18.0 | — — | x ck i ck | ns |
| 91 | ESAI_TX_FS input hold time after ESAI_TX_CLK falling edge | — — | — — | 4.0 5.0 | — — | x ck i ck | ns |
| 92 | ESAI_TX_FS input (wl) to data out enable from high impedance | — | — | — | 21.0 | — | ns |
| 93 | ESAI_TX_FS input (wl) to transmitter #0 drive enable assertion | — | — | — | 14.0 | — | ns |
| 94 | Flag output valid after ESAI_TX_CLK rising edge | — | — | — — | 14.0 9.0 | x ck i ck | ns |
| 95 | ESAI_RX_HF_CLK/ESAI_TX_HF_CLK clock cycle | — | $2 \times T_C$ | 15 | — | — | ns |
| 96 | ESAI_TX_HF_CLK input rising edge to ESAI_TX_CLK output | — | — | — | 18.0 | — | ns |
| 97 | ESAI_RX_HF_CLK input rising edge to ESAI_RX_CLK output | — | — | — | 18.0 | — | ns |

¹ i ck = internal clock
x ck = external clock
i ck a = internal clock, asynchronous mode
(asynchronous implies that ESAI_TX_CLK and ESAI_RX_CLK are two different clocks)
i ck s = internal clock, synchronous mode
(synchronous implies that ESAI_TX_CLK and ESAI_RX_CLK are the same clock)

- 2 bl = bit length
wl = word length
wr = word length relative
- 3 ESAI_TX_CLK(SCKT pin) = transmit clock
ESAI_RX_CLK(SCKR pin) = receive clock
ESAI_TX_FS(FST pin) = transmit frame sync
ESAI_RX_FS(FSR pin) = receive frame sync
ESAI_TX_HF_CLK(HCKT pin) = transmit high frequency clock
ESAI_RX_HF_CLK(HCKR pin) = receive high frequency clock
- 4 For the internal clock, the external clock cycle is defined by t_{cyc} and the ESAI control register.
- 5 The word-relative frame sync signal waveform relative to the clock operates in the same manner as the bit-length frame sync signal waveform, but it spreads from one serial clock before the first bit clock (like the bit length frame sync signal), until the second-to-last bit clock of the first word in the frame.
- 6 Periodically sampled and not 100% tested.

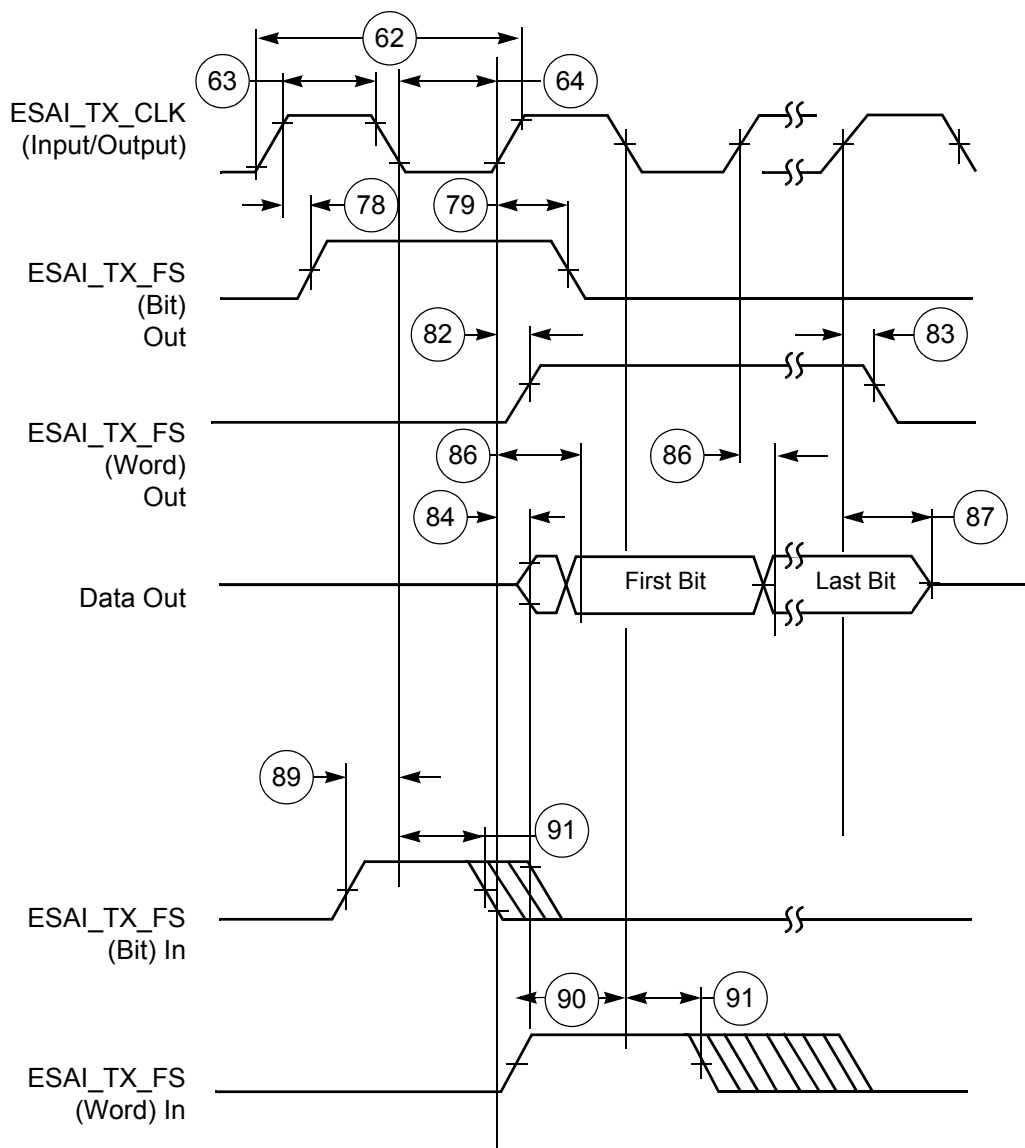


Figure 37. ESAI Transmitter Timing

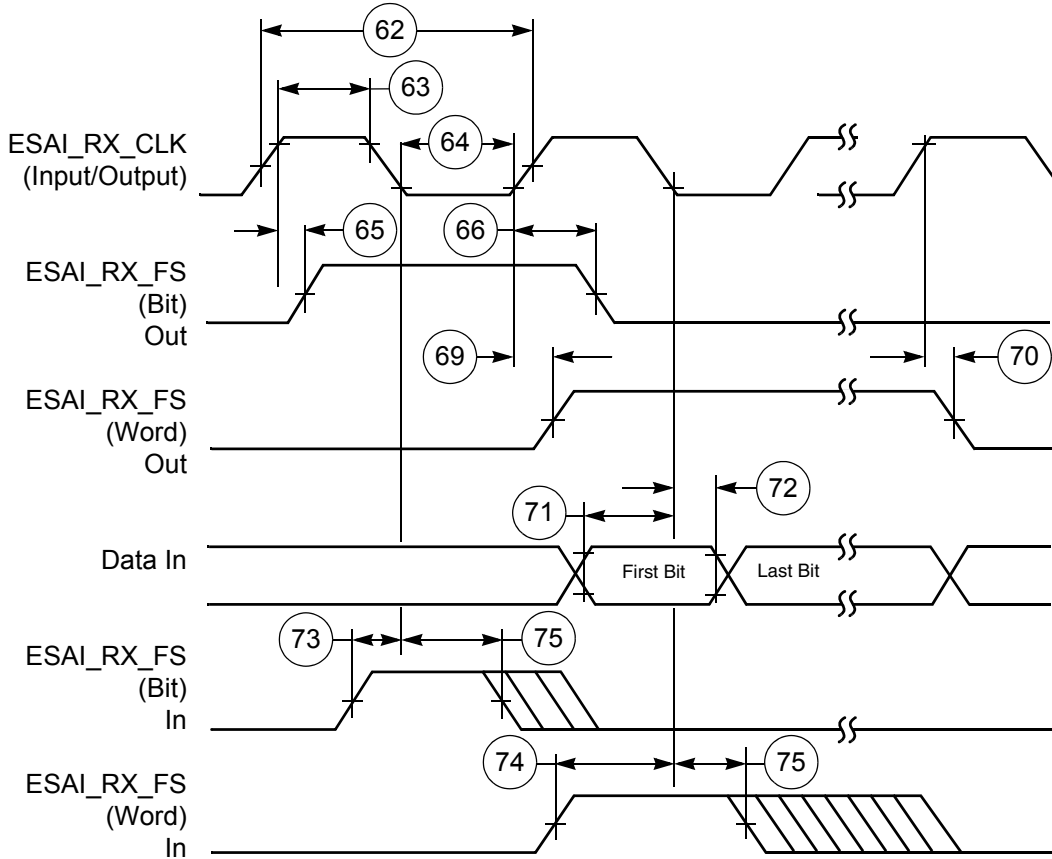


Figure 38. ESAI Receiver Timing



Figure 39. ESAI ESAI_TX_HF_CLK Timing

4.12.4 Ultra High Speed SD/SDIO/MMC Host Interface (uSDHC) AC timing

This section describes the electrical information of the uSDHC, which includes SD/eMMC4.3 (Single Data Rate) timing, eMMC4.4/4.41 (Dual Data Rate) timing and SDR104/50(SD3.0) timing.

4.12.4.1 SD/eMMC4.3 (Single Data Rate) AC Timing

Figure 40 depicts the timing of SD/eMMC4.3, and Table 50 lists the SD/eMMC4.3 timing characteristics.

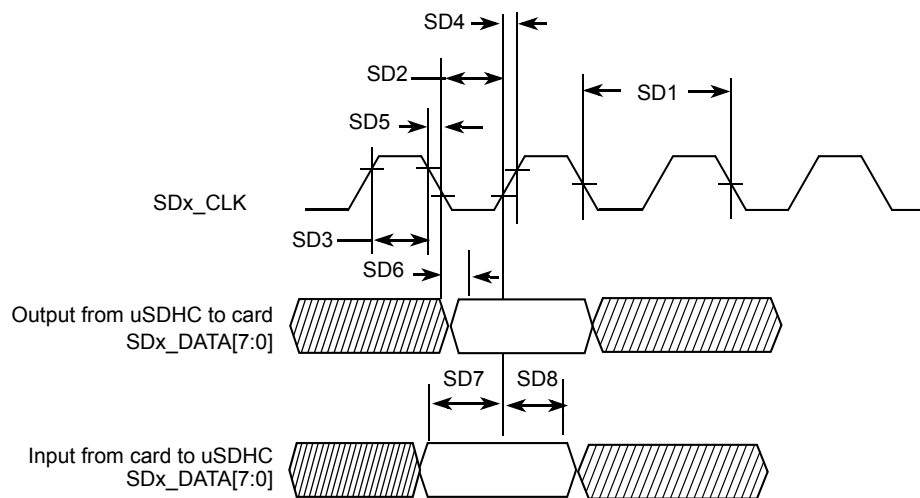


Figure 40. SD/eMMC4.3 Timing

Table 50. SD/eMMC4.3 Interface Timing Specification

| ID | Parameter | Symbols | Min | Max | Unit |
|--|---|------------|------|-------|------|
| Card Input Clock | | | | | |
| SD1 | Clock Frequency (Low Speed) | f_{PP}^1 | 0 | 400 | kHz |
| | Clock Frequency (SD/SDIO Full Speed/High Speed) | f_{PP}^2 | 0 | 25/50 | MHz |
| | Clock Frequency (MMC Full Speed/High Speed) | f_{PP}^3 | 0 | 20/52 | MHz |
| | Clock Frequency (Identification Mode) | f_{OD} | 100 | 400 | kHz |
| SD2 | Clock Low Time | t_{WL} | 7 | — | ns |
| SD3 | Clock High Time | t_{WH} | 7 | — | ns |
| SD4 | Clock Rise Time | t_{TLH} | — | 3 | ns |
| SD5 | Clock Fall Time | t_{THL} | — | 3 | ns |
| uSDHC Output/Card Inputs SD_CMD, SDx_DATAx (Reference to CLK) | | | | | |
| SD6 | uSDHC Output Delay | t_{OD} | -6.6 | 3.6 | ns |

Table 50. SD/eMMC4.3 Interface Timing Specification (continued)

| ID | Parameter | Symbols | Min | Max | Unit |
|--|------------------------------------|-----------|-----|-----|------|
| uSDHC Input/Card Outputs SD_CMD, SDx_DATAx (Reference to CLK) | | | | | |
| SD7 | uSDHC Input Setup Time | t_{ISU} | 2.5 | — | ns |
| SD8 | uSDHC Input Hold Time ⁴ | t_{IH} | 1.5 | — | ns |

¹ In low speed mode, card clock must be lower than 400 kHz, voltage ranges from 2.7 to 3.6 V.

² In normal (full) speed mode for SD/SDIO card, clock frequency can be any value between 0–25 MHz. In high-speed mode, clock frequency can be any value between 0–50 MHz.

³ In normal (full) speed mode for MMC card, clock frequency can be any value between 0–20 MHz. In high-speed mode, clock frequency can be any value between 0–52 MHz.

⁴ To satisfy hold timing, the delay difference between clock input and cmd/data input must not exceed 2 ns.

4.12.4.2 eMMC4.4/4.41 (Dual Data Rate) AC Timing

Figure 41 depicts the timing of eMMC4.4/4.41. Table 51 lists the eMMC4.4/4.41 timing characteristics. Be aware that only DATA is sampled on both edges of the clock (not applicable to CMD).

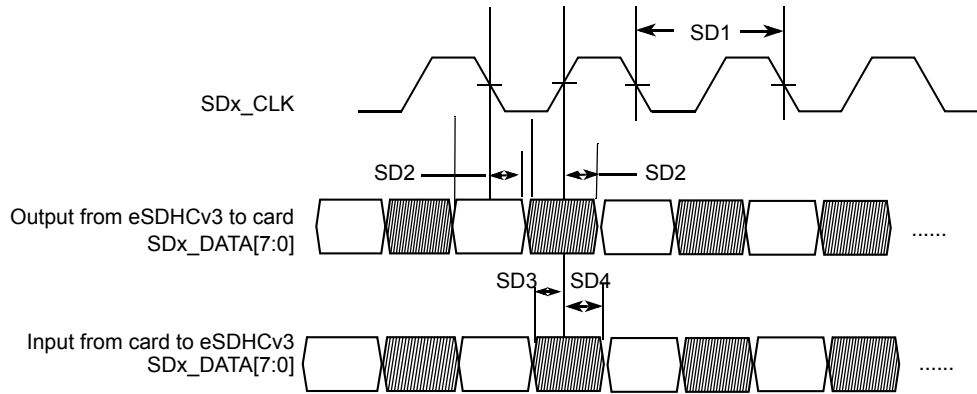


Figure 41. eMMC4.4/4.41 Timing

Table 51. eMMC4.4/4.41 Interface Timing Specification

| ID | Parameter | Symbols | Min | Max | Unit |
|--|------------------------------------|-----------|-----|-----|------|
| Card Input Clock | | | | | |
| SD1 | Clock Frequency (eMMC4.4/4.41 DDR) | f_{PP} | 0 | 52 | MHz |
| SD1 | Clock Frequency (SD3.0 DDR) | f_{PP} | 0 | 50 | MHz |
| uSDHC Output / Card Inputs SD_CMD, SDx_DATAx (Reference to CLK) | | | | | |
| SD2 | uSDHC Output Delay | t_{OD} | 2.5 | 7.1 | ns |
| uSDHC Input / Card Outputs SD_CMD, SDx_DATAx (Reference to CLK) | | | | | |
| SD3 | uSDHC Input Setup Time | t_{ISU} | 1.7 | — | ns |
| SD4 | uSDHC Input Hold Time | t_{IH} | 1.5 | — | ns |

4.12.4.3 SDR50/SDR104 AC Timing

Figure 42 depicts the timing of SDR50/SDR104, and Table 52 lists the SDR50/SDR104 timing characteristics.



Figure 42. SDR50/SDR104 Timing

Table 52. SDR50/SDR104 Interface Timing Specification

| ID | Parameter | Symbols | Min | Max | Unit |
|--|-------------------------|-----------|-----------------------|-----------------------|------|
| Card Input Clock | | | | | |
| SD1 | Clock Frequency Period | t_{CLK} | 5.0 | — | ns |
| SD2 | Clock Low Time | t_{CL} | $0.46 \times t_{CLK}$ | $0.54 \times t_{CLK}$ | ns |
| SD3 | Clock High Time | t_{CH} | $0.46 \times t_{CLK}$ | $0.54 \times t_{CLK}$ | ns |
| uSDHC Output/Card Inputs SD_CMD, SDx_DATAx in SDR50 (Reference to CLK) | | | | | |
| SD4 | uSDHC Output Delay | t_{OD} | -3 | 1 | ns |
| uSDHC Output/Card Inputs SD_CMD, SDx_DATAx in SDR104 (Reference to CLK) | | | | | |
| SD5 | uSDHC Output Delay | t_{OD} | -1.6 | 0.74 | ns |
| uSDHC Input/Card Outputs SD_CMD, SDx_DATAx in SDR50 (Reference to CLK) | | | | | |
| SD6 | uSDHC Input Setup Time | t_{ISU} | 2.5 | — | ns |
| SD7 | uSDHC Input Hold Time | t_{IH} | 1.5 | — | ns |
| uSDHC Input/Card Outputs SD_CMD, SDx_DATAx in SDR104 (Reference to CLK)¹ | | | | | |
| SD8 | Card Output Data Window | t_{ODW} | $0.5 \times t_{CLK}$ | — | ns |

¹Data window in SDR104 mode is variable.

4.12.4.4 HS200 Mode Timing

Figure 43 depicts the timing of HS200 mode, and Table 53 lists the HS200 timing characteristics.



Figure 43. HS200 Mode Timing

Table 53. HS200 Interface Timing Specification

| ID | Parameter | Symbols | Min | Max | Unit |
|---|-------------------------|-----------|-----------------------|-----------------------|------|
| Card Input Clock | | | | | |
| SD1 | Clock Frequency Period | t_{CLK} | 5.0 | — | ns |
| SD2 | Clock Low Time | t_{CL} | $0.46 \times t_{CLK}$ | $0.54 \times t_{CLK}$ | ns |
| SD3 | Clock High Time | t_{CH} | $0.46 \times t_{CLK}$ | $0.54 \times t_{CLK}$ | ns |
| uSDHC Output/Card Inputs SD_CMD, SDx_DATAx in HS200 (Reference to CLK) | | | | | |
| SD5 | uSDHC Output Delay | t_{OD} | -1.6 | 0.74 | ns |
| uSDHC Input/Card Outputs SD_CMD, SDx_DATAx in HS200 (Reference to CLK)¹ | | | | | |
| SD8 | Card Output Data Window | t_{ODW} | $0.5 \times t_{CLK}$ | — | ns |

¹HS200 is for 8 bits while SDR104 is for 4 bits.

4.12.4.5 Bus Operation Condition for 3.3 V and 1.8 V Signaling

Signaling level of SD/eMMC4.3 and eMMC4.4/4.41 modes is 3.3 V. Signaling level of SDR104/SDR50 mode is 1.8 V. The DC parameters for the NVCC_SD1 supply are identical to those shown in Table 24, "Single Voltage GPIO DC Parameters," on page 37.

4.12.5 Ethernet Controller (ENET) AC Electrical Specifications

The following timing specs are defined at the chip I/O pin and must be translated appropriately to arrive at timing specs/constraints for the physical interface.

4.12.5.1 ENET MII Mode Timing

This subsection describes MII receive, transmit, asynchronous inputs, and serial management signal timings.

4.12.5.1.1 MII Receive Signal Timing (ENET_RX_DATA3,2,1,0, ENET_RX_EN, ENET_RX_ER, and ENET_RX_CLK)

The receiver functions correctly up to an ENET_RX_CLK maximum frequency of 25 MHz + 1%. There is no minimum frequency requirement. Additionally, the processor clock frequency must exceed twice the ENET_RX_CLK frequency.

Figure 44 shows MII receive signal timings. Table 54 describes the timing parameters (M1–M4) shown in the figure.



Figure 44. MII Receive Signal Timing Diagram

Table 54. MII Receive Signal Timing

| ID | Characteristic ¹ | Min. | Max. | Unit |
|----|--|------|------|--------------------|
| M1 | ENET_RX_DATA3,2,1,0, ENET_RX_EN, ENET_RX_ER to ENET_RX_CLK setup | 5 | — | ns |
| M2 | ENET_RX_CLK to ENET_RX_DATA3,2,1,0, ENET_RX_EN, ENET_RX_ER hold | 5 | — | ns |
| M3 | ENET_RX_CLK pulse width high | 35% | 65% | ENET_RX_CLK period |
| M4 | ENET_RX_CLK pulse width low | 35% | 65% | ENET_RX_CLK period |

¹ ENET_RX_EN, ENET_RX_CLK, and ENET0_RXD0 have the same timing in 10 Mbps 7-wire interface mode.

4.12.5.1.2 MII Transmit Signal Timing (ENET_TX_DATA3,2,1,0, ENET_TX_EN, ENET_TX_ER, and ENET_TX_CLK)

The transmitter functions correctly up to an ENET_TX_CLK maximum frequency of 25 MHz + 1%. There is no minimum frequency requirement. Additionally, the processor clock frequency must exceed twice the ENET_TX_CLK frequency.

Electrical Characteristics

Figure 45 shows MII transmit signal timings. Table 55 describes the timing parameters (M5–M8) shown in the figure.

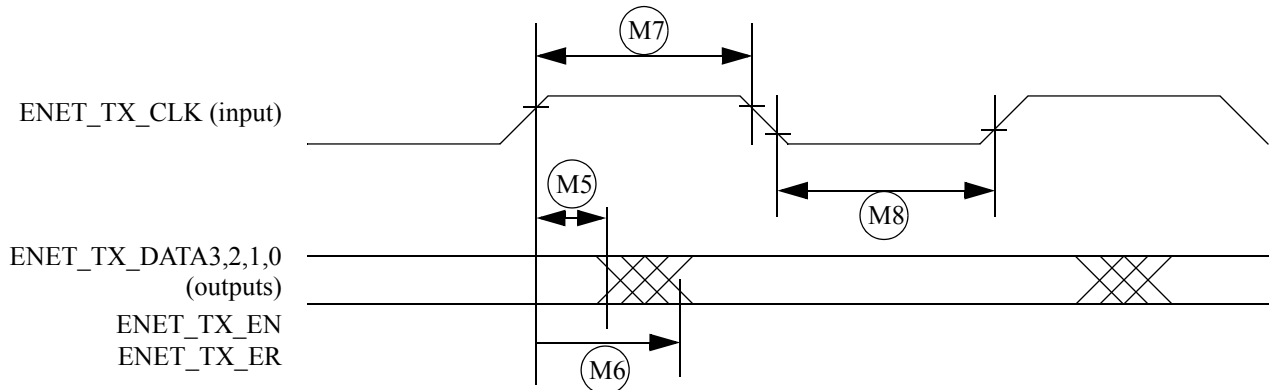


Figure 45. MII Transmit Signal Timing Diagram

Table 55. MII Transmit Signal Timing

| ID | Characteristic ¹ | Min. | Max. | Unit |
|----|--|------|------|--------------------|
| M5 | ENET_TX_CLK to ENET_TX_DATA3,2,1,0, ENET_TX_EN, ENET_TX_ER invalid | 5 | — | ns |
| M6 | ENET_TX_CLK to ENET_TX_DATA3,2,1,0, ENET_TX_EN, ENET_TX_ER valid | — | 20 | ns |
| M7 | ENET_TX_CLK pulse width high | 35% | 65% | ENET_TX_CLK period |
| M8 | ENET_TX_CLK pulse width low | 35% | 65% | ENET_TX_CLK period |

¹ ENET_TX_EN, ENET_TX_CLK, and ENET0_TXD0 have the same timing in 10-Mbps 7-wire interface mode.

4.12.5.1.3 MII Asynchronous Inputs Signal Timing (ENET_CRS and ENET_COL)

Figure 46 shows MII asynchronous input timings. Table 56 describes the timing parameter (M9) shown in the figure.

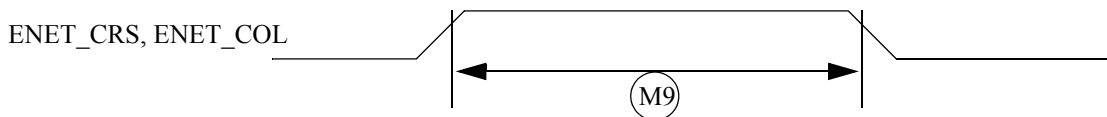


Figure 46. MII Async Inputs Timing Diagram

Table 56. MII Asynchronous Inputs Signal Timing

| ID | Characteristic | Min. | Max. | Unit |
|-----------------|--|------|------|--------------------|
| M9 ¹ | ENET_CRS to ENET_COL minimum pulse width | 1.5 | — | ENET_TX_CLK period |

¹ ENET_COL has the same timing in 10-Mbit 7-wire interface mode.

4.12.5.1.4 MII Serial Management Channel Timing (ENET_MDIO and ENET_MDC)

The MDC frequency is designed to be equal to or less than 2.5 MHz to be compatible with the IEEE 802.3 MII specification. However the ENET can function correctly with a maximum MDC frequency of 15 MHz.

Figure 47 shows MII asynchronous input timings. Table 57 describes the timing parameters (M10–M15) shown in the figure.

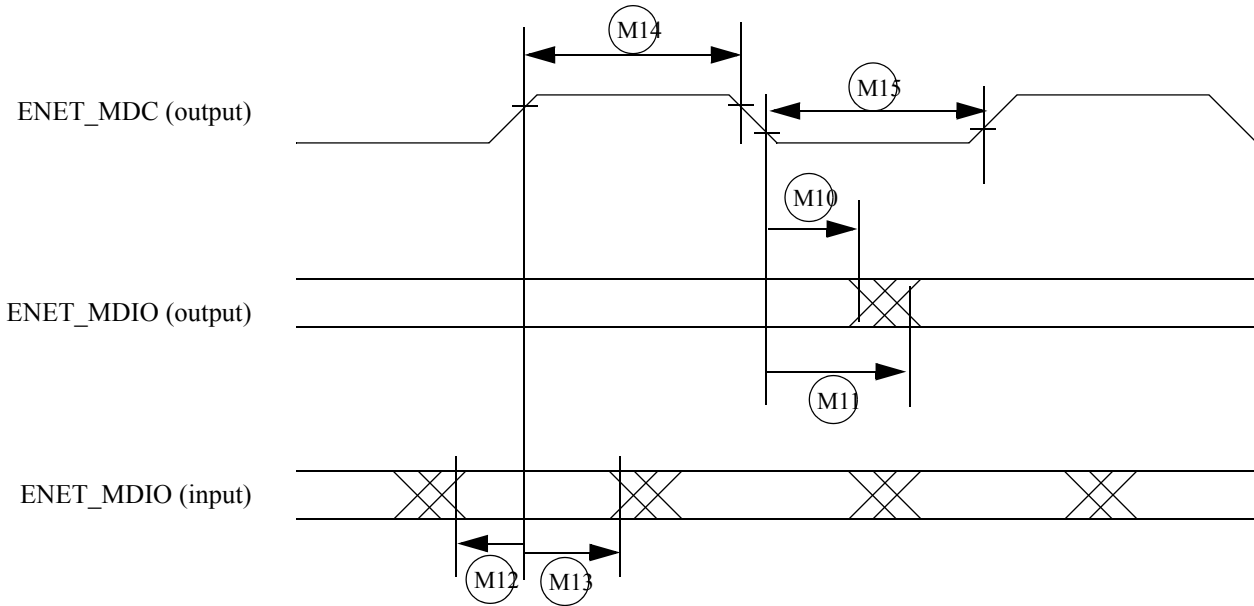


Figure 47. MII Serial Management Channel Timing Diagram

Table 57. MII Serial Management Channel Timing

| ID | Characteristic | Min. | Max. | Unit |
|-----|--|------|------|-----------------|
| M10 | ENET_MDC falling edge to ENET_MDIO output invalid (min. propagation delay) | 0 | — | ns |
| M11 | ENET_MDC falling edge to ENET_MDIO output valid (max. propagation delay) | — | 5 | ns |
| M12 | ENET_MDIO (input) to ENET_MDC rising edge setup | 18 | — | ns |
| M13 | ENET_MDIO (input) to ENET_MDC rising edge hold | 0 | — | ns |
| M14 | ENET_MDC pulse width high | 40% | 60% | ENET_MDC period |
| M15 | ENET_MDC pulse width low | 40% | 60% | ENET_MDC period |

4.12.5.2 RMII Mode Timing

In RMII mode, ENET_CLK is used as the REF_CLK, which is a 50 MHz \pm 50 ppm continuous reference clock. ENET_RX_EN is used as the RMII_CRSDV in RMII. Other signals under RMII mode include ENET_TX_EN, ENET_TX_DATA[1:0], ENET_RX_DATA[1:0], and ENET_RX_ER.

Figure 48 shows RMI mode timings. Table 58 describes the timing parameters (M16–M21) shown in the figure.



Figure 48. RMI Mode Signal Timing Diagram

Table 58. RMI Signal Timing

| ID | Characteristic | Min. | Max. | Unit |
|-----|--|------|------|-----------------|
| M16 | ENET_CLK pulse width high | 35% | 65% | ENET_CLK period |
| M17 | ENET_CLK pulse width low | 35% | 65% | ENET_CLK period |
| M18 | ENET_CLK to ENET0_TXD[1:0], ENET_TX_DATA invalid | 4 | — | ns |
| M19 | ENET_CLK to ENET0_TXD[1:0], ENET_TX_DATA valid | — | 13 | ns |
| M20 | ENET_RX_DATAD[1:0], ENET_RX_EN(ENET_RX_EN), ENET_RX_ER to ENET_CLK setup | 2 | — | ns |
| M21 | ENET_CLK to ENET_RX_DATAD[1:0], ENET_RX_EN, ENET_RX_ER hold | 2 | — | ns |

4.12.6 Flexible Controller Area Network (FLEXCAN) AC Electrical Specifications

The Flexible Controller Area Network (FlexCAN) module is a communication controller implementing the CAN protocol according to the CAN 2.0B protocol specification. The processor has two CAN modules available for systems design. Tx and Rx ports for both modules are multiplexed with other I/O pins. See the IOMUXC chapter of the *i.MX 6ULL Reference Manual (IMX6ULLRM)* to see which pins expose Tx and Rx pins; these ports are named FLEXCAN_TX and FLEXCAN_RX, respectively.

4.12.7 I²C Bus Characteristics

The Inter-Integrated Circuit (I2C) provides functionality of a standard I2C master and slave. The I2C is designed to be compatible with the I2C Bus Specification, version 2.1, by Philips Semiconductor (now NXP Semiconductors).

4.12.8 Pulse Width Modulator (PWM) Timing Parameters

This section describes the electrical information of the PWM. The PWM can be programmed to select one of three clock signals as its source frequency. The selected clock signal is passed through a prescaler before being input to the counter. The output is available at the pulse-width modulator output (PWMO) external pin.

Figure 49 depicts the timing of the PWM, and Table 59 lists the PWM timing parameters.

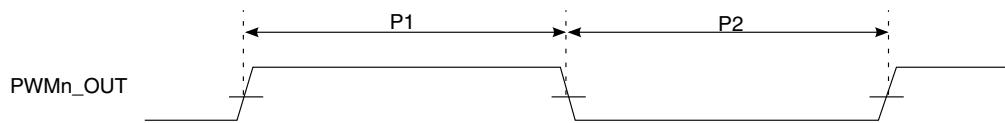


Figure 49. PWM Timing

Table 59. PWM Output Timing Parameters

| ID | Parameter | Min | Max | Unit |
|----|-----------------------------|-----|-----|------|
| | PWM Module Clock Frequency | 0 | 66 | MHz |
| P1 | PWM output pulse width high | 15 | — | ns |
| P2 | PWM output pulse width low | 15 | — | ns |

4.12.9 LCD Controller (LCDIF) Parameters

Figure 50 shows the LCDIF timing and Table 60 lists the timing parameters.



Figure 50. LCD Timing

Table 60. LCD Timing Parameters

| ID | Parameter | Symbol | Min | Max | Unit |
|----|---|----------------|-----|-----|------|
| L1 | LCD pixel clock frequency | tCLK(LCD) | — | 150 | MHz |
| L2 | LCD pixel clock high (falling edge capture) | tCLKH(LCD) | 3 | — | ns |
| L3 | LCD pixel clock low (rising edge capture) | tCLKL(LCD) | 3 | — | ns |
| L4 | LCD pixel clock high to data valid (falling edge capture) | td(CLKH-DV) | -1 | 1 | ns |
| L5 | LCD pixel clock low to data valid (rising edge capture) | td(CLKL-DV) | -1 | 1 | ns |
| L6 | LCD pixel clock high to control signal valid (falling edge capture) | td(CLKH-CTRLV) | -1 | 1 | ns |
| L7 | LCD pixel clock low to control signal valid (rising edge capture) | td(CLKL-CTRLV) | -1 | 1 | ns |

4.12.9.1 LCDIF Signal Mapping

Table 61 lists the details about the mapping signals.

Table 61. LCD Timing Parameters

| Pin name | 8-bit DOTCLK LCD IF | 16-bit DOTCLK LCD IF | 18-bit DOTCLK LCD IF | 24-bit DOTCLK LCD IF | 8-bit DVI LCD IF |
|--------------------------|---------------------|----------------------|----------------------|----------------------|------------------|
| LCD_RS | — | — | — | — | CCIR_CLK |
| LCD_VSYNC* (Two options) | LCD_VSYNC | LCD_VSYNC | LCD_VSYNC | LCD_VSYNC | — |
| LCD_HSYNC | LCD_HSYNC | LCD_HSYNC | LCD_HSYNC | LCD_HSYNC | — |
| LCD_DOTCLK | LCD_DOTCLK | LCD_DOTCLK | LCD_DOTCLK | LCD_DOTCLK | — |

Table 61. LCD Timing Parameters (continued)

| LCD_ENABLE | LCD_ENABLE | LCD_ENABLE | LCD_ENABLE | LCD_ENABLE | — |
|-------------------------------|--|-------------------------------------|--|--|--------|
| LCD_D23 | — | — | — | R[7] | — |
| LCD_D22 | — | — | — | R[6] | — |
| LCD_D21 | — | — | — | R[5] | — |
| LCD_D20 | — | — | — | R[4] | — |
| LCD_D19 | — | — | — | R[3] | — |
| LCD_D18 | — | — | — | R[2] | — |
| LCD_D17 | — | — | R[5] | R[1] | — |
| LCD_D16 | — | — | R[4] | R[0] | — |
| LCD_D15 / VSYNC* | — | R[4] | R[3] | G[7] | — |
| LCD_D14 / HSYNC** | — | R[3] | R[2] | G[6] | — |
| LCD_D13 / LCD_DOTCLK ** | — | R[2] | R[1] | G[5] | — |
| LCD_D12 / ENABLE** | — | R[1] | R[0] | G[4] | — |
| LCD_D11 | — | R[0] | G[5] | G[3] | — |
| LCD_D10 | — | G[5] | G[4] | G[2] | — |
| LCD_D9 | — | G[4] | G[3] | G[1] | — |
| LCD_D8 | — | G[3] | G[2] | G[0] | — |
| LCD_D8 | — | G[3] | G[2] | G[0] | — |
| LCD_D7 | R[2] | G[2] | G[1] | B[7] | Y/C[7] |
| LCD_D6 | R[1] | G[1] | G[0] | B[6] | Y/C[6] |
| LCD_D5 | R[0] | G[0] | B[5] | B[5] | Y/C[5] |
| LCD_D4 | G[2] | B[4] | B[4] | B[4] | Y/C[4] |
| LCD_D3 | G[1] | B[3] | B[3] | B[3] | Y/C[3] |
| LCD_D2 | G[0] | B[2] | B[2] | B[2] | Y/C[2] |
| LCD_D1 | B[1] | B[1] | B[1] | B[1] | Y/C[1] |
| LCD_D0 | B[0] | B[0] | B[0] | B[0] | Y/C[0] |
| LCD_RESET | LCD_RESET | LCD_RESET | LCD_RESET | LCD_RESET | — |
| LCD_BUSY / LCD_VSYNC | LCD_BUSY (or optional LCD_VSYNC) | LCD_BUSY (or optional LCD_VSYNC) | LCD_BUSY (or optional LCD_VSYNC) | LCD_BUSY (or optional LCD_VSYNC) | — |

4.12.10 QUAD SPI (QSPI) Timing Parameters

Measurement conditions are with 35 pF load on SCK and SIO pins and input slew rate of 1 V/ns.

4.12.10.1 SDR Mode



Figure 51. QuadSPI Input/Read Timing (SDR mode with internal sampling)

Table 62. QuadSPI Input Timing (SDR mode with internal sampling)

| Symbol | Parameter | Value | | Unit |
|----------|---|-------|-----|------|
| | | Min | Max | |
| T_{IS} | Setup time for incoming data | 8.67 | — | ns |
| T_{IH} | Hold time requirement for incoming data | 0 | — | ns |

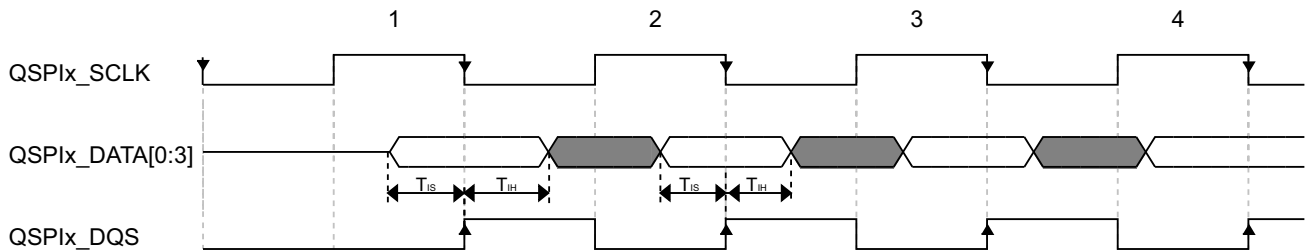


Figure 52. QuadSPI Input/Read Timing (SDR mode with loopback DQS sampling)

Table 63. QuadSPI Input/Read Timing (SDR mode with loopback DQS sampling)

| Symbol | Parameter | Value | | Unit |
|----------|---|-------|-----|------|
| | | Min | Max | |
| T_{IS} | Setup time for incoming data | 2 | — | ns |
| T_{IH} | Hold time requirement for incoming data | 1 | — | ns |

NOTE

- For internal sampling, the timing values assumes using sample point 0, that is QuadSPI_x_SMPR[SDRSMP] = 0.

- For loopback DQS sampling, the data strobe is output to the DQS pad together with the serial clock. The data strobe is looped back from DQS pad and used to sample input data.

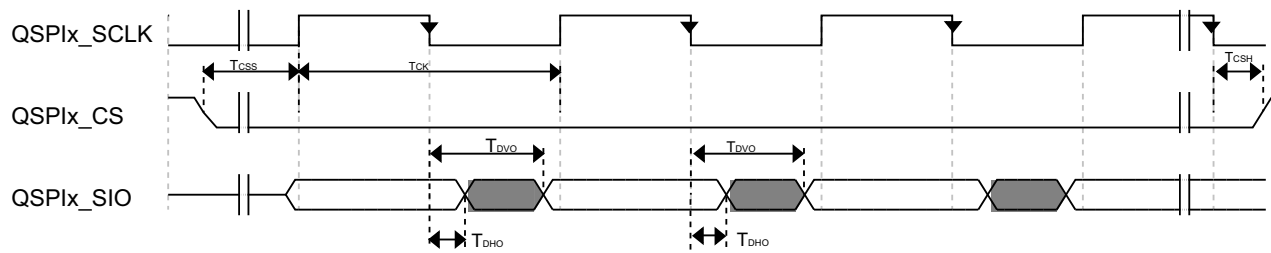


Figure 53. QuadSPI Output/Write Timing (SDR mode)

Table 64. QuadSPI Output/Write Timing (SDR mode)

| Symbol | Parameter | Value | | Unit |
|-----------|-------------------------------|-------|-----|--------------|
| | | Min | Max | |
| T_{DVO} | Output data valid time | — | 2 | ns |
| T_{DHO} | Output data hold time | -0.5 | — | ns |
| T_{CK} | SCK clock period | 10 | — | ns |
| T_{CSS} | Chip select output setup time | 3 | — | SCK cycle(s) |
| T_{CSH} | Chip select output hold time | 3 | — | SCK cycle(s) |

NOTE

T_{css} and T_{csh} are configured by the QuadSPIx_FLSHCR register, the default value of 3 are shown on the timing. Please refer to the *i.MX 6ULL Reference Manual (IMX6ULLRM)* for more details.

4.12.10.2 DDR Mode



Figure 54. QuadSPI Input/Read Timing (DDR mode with internal sampling)

Table 65. QuadSPI Input/Read Timing (DDR mode with internal sampling)

| Symbol | Parameter | Value | | Unit |
|----------|---|-------|-----|------|
| | | Min | Max | |
| T_{IS} | Setup time for incoming data | 8.67 | — | ns |
| T_{IH} | Hold time requirement for incoming data | 0 | — | ns |



Figure 55. QuadSPI Input/Read Timing (DDR mode with loopback DQS sampling)

Table 66. QuadSPI Input/Read Timing (DDR mode with loopback DQS sampling)

| Symbol | Parameter | Value | | Unit |
|----------|---|-------|-----|------|
| | | Min | Max | |
| T_{IS} | Setup time for incoming data | 2 | — | ns |
| T_{IH} | Hold time requirement for incoming data | 1 | — | ns |

NOTE

- For internal sampling, the timing values assumes using sample point 0, that is QuadSPIx_SMPR[SDRSMP] = 0.

- For loopback DQS sampling, the data strobe is output to the DQS pad together with the serial clock. The data strobe is looped back from DQS pad and used to sample input data.

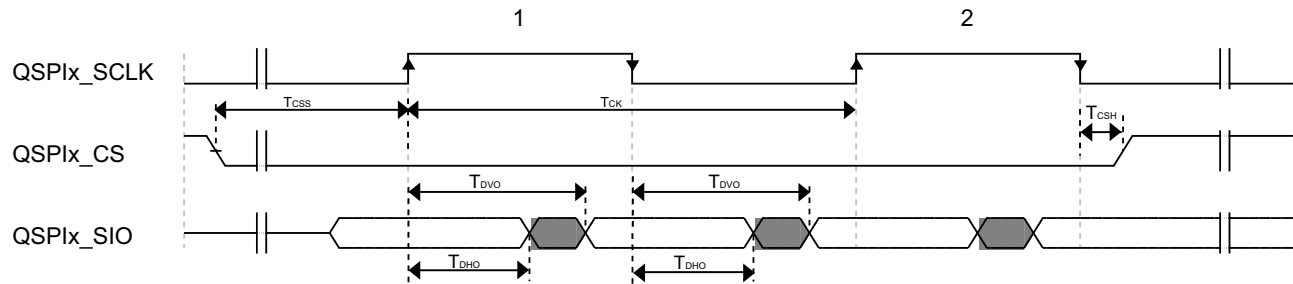


Figure 56. QuadSPI Output/Write Timing (DDR mode)

Table 67. QuadSPI Output/Write Timing (DDR mode)

| Symbol | Parameter | Value | | Unit |
|-----------|-------------------------------|--------------------------------|------------------------------|--------------|
| | | Min | Max | |
| T_{DVO} | Output data valid time | — | $(0.25 \times T_{SCLK}) + 2$ | ns |
| T_{DHO} | Output data hold time | $(0.25 \times T_{SCLK}) - 0.5$ | — | ns |
| T_{CK} | SCK clock period | 20 | — | ns |
| T_{CSS} | Chip select output setup time | 3 | — | SCK cycle(s) |
| T_{CSH} | Chip select output hold time | 3 | — | SCK cycle(s) |

NOTE

T_{CSS} and T_{CSH} are configured by the QuadSPIx_FLSHCR register, the default value of 3 are shown on the timing. Please refer to the *i.MX 6ULL Reference Manual (IMX6ULLRM)* for more details.

4.12.11 SAI/I2S Switching Specifications

This section provides the AC timings for the SAI in master (clocks driven) and slave (clocks input) modes. All timings are given for non-inverted serial clock polarity (SAI_TCR[TSCKP] = 0, SAI_RCR[RSCKP] = 0) and non-inverted frame sync (SAI_TCR[TFSI] = 0, SAI_RCR[RFSI] = 0). If the polarity of the clock and/or the frame sync have been inverted, all the timings remain valid by inverting the clock signal (SAI_BCLK) and/or the frame sync (SAI_FS) shown in the figures below.

Table 68. Master Mode SAI Timing

| Num | Characteristic | Min | Max | Unit |
|-----|-------------------------------|--------------------|-----|-------------|
| S1 | SAI_MCLK cycle time | $2 \times t_{sys}$ | — | ns |
| S2 | SAI_MCLK pulse width high/low | 40% | 60% | MCLK period |
| S3 | SAI_BCLK cycle time | $4 \times t_{sys}$ | — | ns |
| S4 | SAI_BCLK pulse width high/low | 40% | 60% | BCLK period |

Electrical Characteristics

Table 68. Master Mode SAI Timing (continued)

| Num | Characteristic | Min | Max | Unit |
|-----|--|-----|-----|------|
| S5 | SAI_BCLK to SAI_FS output valid | — | 15 | ns |
| S6 | SAI_BCLK to SAI_FS output invalid | 0 | — | ns |
| S7 | SAI_BCLK to SAI_TXD valid | — | 15 | ns |
| S8 | SAI_BCLK to SAI_TXD invalid | 0 | — | ns |
| S9 | SAI_RXD/SAI_FS input setup before SAI_BCLK | 15 | — | ns |
| S10 | SAI_RXD/SAI_FS input hold after SAI_BCLK | 0 | — | ns |

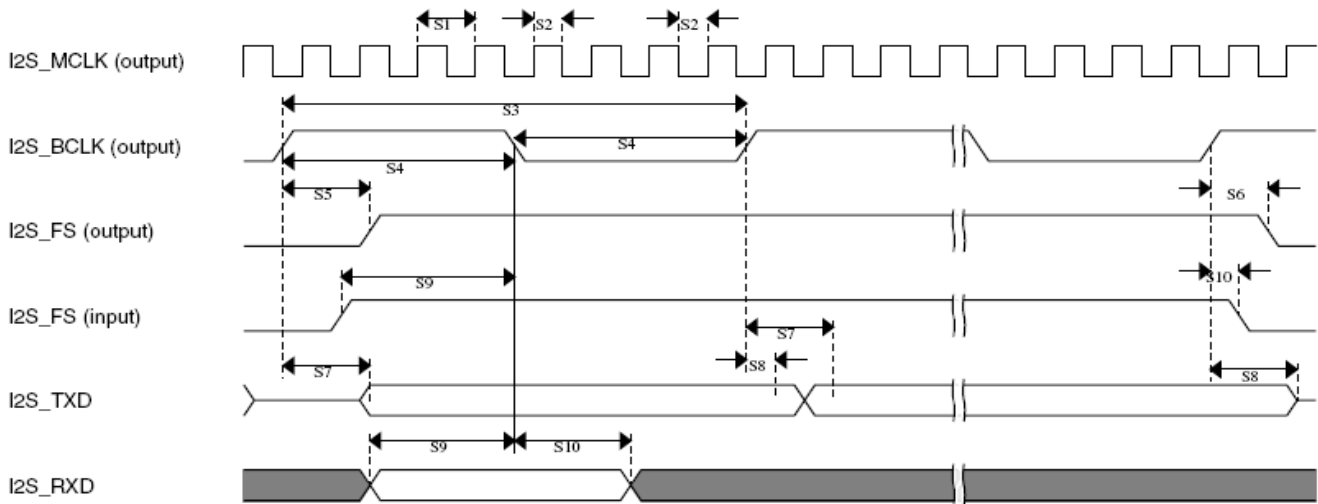


Figure 57. SAI Timing — Master Modes

Table 69. Master Mode SAI Timing

| Num | Characteristic | Min | Max | Unit |
|-----|---|--------------------|-----|-------------|
| S11 | SAI_BCLK cycle time (input) | $4 \times t_{sys}$ | — | ns |
| S12 | SAI_BCLK pulse width high/low (input) | 40% | 60% | BCLK period |
| S13 | SAI_FS input setup before SAI_BCLK | 10 | — | ns |
| S14 | SAI_FA input hold after SAI_BCLK | 2 | — | ns |
| S15 | SAI_BCLK to SAI_TXD/SAI_FS output valid | — | 20 | ns |
| S16 | SAI_BCLK to SAI_TXD/SAI_FS output invalid | 0 | — | ns |
| S17 | SAI_RXD setup before SAI_BCLK | 10 | — | ns |
| S18 | SAI_RXD hold after SAI_BCLK | 2 | — | ns |



Figure 58. SAI Timing — Slave Modes

4.12.12 SCAN JTAG Controller (SJC) Timing Parameters

Figure 59 depicts the SJC test clock input timing. Figure 60 depicts the SJC boundary scan timing. Figure 61 depicts the SJC test access port. Signal parameters are listed in Table 70.

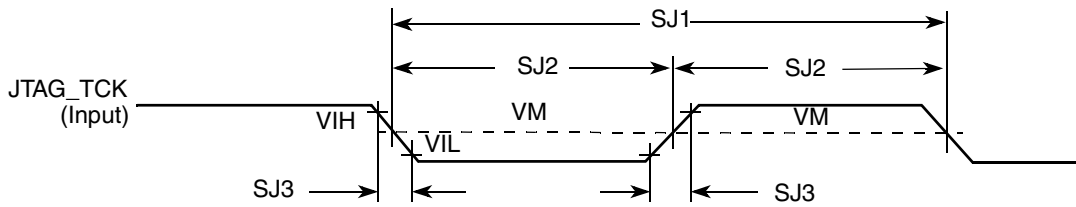


Figure 59. Test Clock Input Timing Diagram



Figure 60. Boundary Scan (JTAG) Timing Diagram



Figure 61. Test Access Port Timing Diagram



Figure 62. JTAG_TRST_B Timing Diagram

Table 70. JTAG Timing

| ID | Parameter ^{1,2} | All Frequencies | | Unit |
|-----|--|-----------------|-----|------|
| | | Min | Max | |
| SJ0 | JTAG_TCK frequency of operation $1/(3 \cdot T_{DC})^1$ | 0.001 | 22 | MHz |
| SJ1 | JTAG_TCK cycle time in crystal mode | 45 | — | ns |
| SJ2 | JTAG_TCK clock pulse width measured at V_M^2 | 22.5 | — | ns |
| SJ3 | JTAG_TCK rise and fall times | — | 3 | ns |
| SJ4 | Boundary scan input data set-up time | 5 | — | ns |
| SJ5 | Boundary scan input data hold time | 24 | — | ns |
| SJ6 | JTAG_TCK low to output data valid | — | 40 | ns |
| SJ7 | JTAG_TCK low to output high impedance | — | 40 | ns |

Table 70. JTAG Timing (continued)

| ID | Parameter ^{1,2} | All Frequencies | | Unit |
|------|---|-----------------|-----|------|
| | | Min | Max | |
| SJ8 | JTAG_TMS, JTAG_TDI data set-up time | 5 | — | ns |
| SJ9 | JTAG_TMS, JTAG_TDI data hold time | 25 | — | ns |
| SJ10 | JTAG_TCK low to JTAG_TDO data valid | — | 44 | ns |
| SJ11 | JTAG_TCK low to JTAG_TDO high impedance | — | 44 | ns |
| SJ12 | JTAG_TRST_B assert time | 100 | — | ns |
| SJ13 | JTAG_TRST_B set-up time to JTAG_TCK low | 40 | — | ns |

¹ T_{DC} = target frequency of SJC

² V_M = mid-point voltage

4.12.13 SPDIF Timing Parameters

The Sony/Philips Digital Interface Format (SPDIF) data is sent using the bi-phase marking code. When encoding, the SPDIF data signal is modulated by a clock that is twice the bit rate of the data signal.

Table 71, Figure 63, and Figure 64 show SPDIF timing parameters for the Sony/Philips Digital Interconnect Format (SPDIF), including the timing of the modulating Rx clock (SPDIF_SR_CLK) for SPDIF in Rx mode and the timing of the modulating Tx clock (SPDIF_ST_CLK) for SPDIF in Tx mode.

Table 71. SPDIF Timing Parameters

| Characteristics | Symbol | Timing Parameter Range | | Unit |
|--|---------|------------------------|------|------|
| | | Min | Max | |
| SPDIF_IN Skew: asynchronous inputs, no specs apply | — | — | 0.7 | ns |
| SPDIF_OUT output (Load = 50pf) | | | | |
| • Skew | — | — | 1.5 | ns |
| • Transition rising | — | — | 24.2 | |
| • Transition falling | — | — | 31.3 | |
| SPDIF_OUT1 output (Load = 30pf) | | | | |
| • Skew | — | — | 1.5 | ns |
| • Transition rising | — | — | 13.6 | |
| • Transition falling | — | — | 18.0 | |
| Modulating Rx clock (SPDIF_SR_CLK) period | srckp | 40.0 | — | ns |
| SPDIF_SR_CLK high period | srckph | 16.0 | — | ns |
| SPDIF_SR_CLK low period | srckpl | 16.0 | — | ns |
| Modulating Tx clock (SPDIF_ST_CLK) period | stclkp | 40.0 | — | ns |
| SPDIF_ST_CLK high period | stclkph | 16.0 | — | ns |
| SPDIF_ST_CLK low period | stclkpl | 16.0 | — | ns |



Figure 63. SPDIF_SR_CLK Timing Diagram



Figure 64. SPDIF_ST_CLK Timing Diagram

4.12.14 UART I/O Configuration and Timing Parameters

4.12.14.1 UART RS-232 Serial Mode Timing

The following sections describe the electrical information of the UART module in the RS-232 mode.

4.12.14.1.1 UART Transmitter

Figure 65 depicts the transmit timing of UART in the RS-232 serial mode, with 8 data bit/1 stop bit format. Table 72 lists the UART RS-232 serial mode transmits timing characteristics.



Figure 65. UART RS-232 Serial Mode Transmit Timing Diagram

Table 72. RS-232 Serial Mode Transmit Timing Parameters

| ID | Parameter | Symbol | Min | Max | Unit |
|-----|-------------------|------------|---------------------------------------|-----------------------------------|------|
| UA1 | Transmit Bit Time | t_{Tbit} | $1/F_{baud_rate}^1 - T_{ref_clk}^2$ | $1/F_{baud_rate} + T_{ref_clk}$ | — |

¹ F_{baud_rate} : Baud rate frequency. The maximum baud rate the UART can support is $(ipg_perclk \text{ frequency})/16$.

² T_{ref_clk} : The period of UART reference clock ref_clk (ipg_perclk after RFDIV divider).

4.12.14.1.2 UART Receiver

Figure 66 depicts the RS-232 serial mode receives timing with 8 data bit/1 stop bit format. Table 73 lists serial mode receive timing characteristics.



Figure 66. UART RS-232 Serial Mode Receive Timing Diagram

Table 73. RS-232 Serial Mode Receive Timing Parameters

| ID | Parameter | Symbol | Min | Max | Unit |
|-----|-------------------------------|------------|---|---|------|
| UA2 | Receive Bit Time ¹ | t_{Rbit} | $1/F_{baud_rate}^2 - 1/(16 \times F_{baud_rate})$ | $1/F_{baud_rate} + 1/(16 \times F_{baud_rate})$ | — |

¹ The UART receiver can tolerate $1/(16 \times F_{baud_rate})$ tolerance in each bit. But accumulation tolerance in one frame must not exceed $3/(16 \times F_{baud_rate})$.

² F_{baud_rate} : Baud rate frequency. The maximum baud rate the UART can support is $(ipg_perclk \text{ frequency})/16$.

4.12.14.1.3 UART IrDA Mode Timing

The following subsections give the UART transmit and receive timings in IrDA mode.

UART IrDA Mode Transmitter

Figure 67 depicts the UART IrDA mode transmit timing, with 8 data bit/1 stop bit format. Table 74 lists the transmit timing characteristics.



Figure 67. UART IrDA Mode Transmit Timing Diagram

Table 74. IrDA Mode Transmit Timing Parameters

| ID | Parameter | Symbol | Min | Max | Unit |
|-----|--------------------------------|----------------|---|---|------|
| UA3 | Transmit Bit Time in IrDA mode | t_{TIRbit} | $1/F_{baud_rate}^1 - T_{ref_clk}^2$ | $1/F_{baud_rate} + T_{ref_clk}$ | — |
| UA4 | Transmit IR Pulse Duration | $t_{TIRpulse}$ | $(3/16) \times (1/F_{baud_rate}) - T_{ref_clk}$ | $(3/16) \times (1/F_{baud_rate}) + T_{ref_clk}$ | — |

¹ $F_{\text{baud_rate}}$: Baud rate frequency. The maximum baud rate the UART can support is $(ipg_perclk \text{ frequency})/16$.

² $T_{\text{ref_clk}}$: The period of UART reference clock ref_clk (ipg_perclk after RFDIV divider).

UART IrDA Mode Receiver

Figure 68 depicts the UART IrDA mode receive timing, with 8 data bit/1 stop bit format. Table 75 lists the receive timing characteristics.

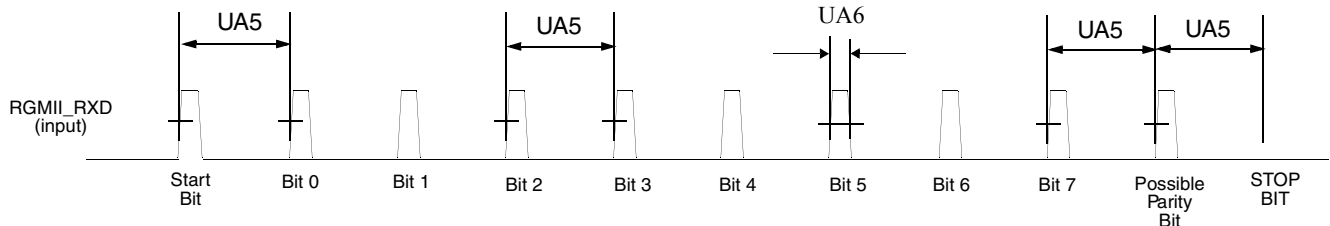


Figure 68. UART IrDA Mode Receive Timing Diagram

Table 75. IrDA Mode Receive Timing Parameters

| ID | Parameter | Symbol | Min | Max | Unit |
|-----|--|-----------------------|---|---|------|
| UA5 | Receive Bit Time ¹ in IrDA mode | t_{RIRbit} | $1/F_{\text{baud_rate}}^2 - 1/(16 \times F_{\text{baud_rate}})$ | $1/F_{\text{baud_rate}} + 1/(16 \times F_{\text{baud_rate}})$ | — |
| UA6 | Receive IR Pulse Duration | t_{RIRpulse} | 1.41 μs | $(5/16) \times (1/F_{\text{baud_rate}})$ | — |

¹ The UART receiver can tolerate $1/(16 \times F_{\text{baud_rate}})$ tolerance in each bit. But accumulation tolerance in one frame must not exceed $3/(16 \times F_{\text{baud_rate}})$.

² $F_{\text{baud_rate}}$: Baud rate frequency. The maximum baud rate the UART can support is $(ipg_perclk \text{ frequency})/16$.

4.12.15 USB PHY Parameters

This section describes the USB-OTG PHY parameters.

The USB PHY meets the electrical compliance requirements defined in the Universal Serial Bus Revision 2.0 OTG with the following amendments.

- USB ENGINEERING CHANGE NOTICE
 - Title: 5V Short Circuit Withstand Requirement Change
 - Applies to: Universal Serial Bus Specification, Revision 2.0
- Errata for USB Revision 2.0 April 27, 2000 as of 12/7/2000
- USB ENGINEERING CHANGE NOTICE
 - Title: Pull-up/Pull-down resistors
 - Applies to: Universal Serial Bus Specification, Revision 2.0
- USB ENGINEERING CHANGE NOTICE
 - Title: Suspend Current Limit Changes
 - Applies to: Universal Serial Bus Specification, Revision 2.0

Electrical Characteristics

- USB ENGINEERING CHANGE NOTICE
 - Title: USB 2.0 Phase Locked SOFs
 - Applies to: Universal Serial Bus Specification, Revision 2.0
- On-The-Go and Embedded Host Supplement to the USB Revision 2.0 Specification
 - Revision 2.0 plus errata and ecn June 4, 2010
- Battery Charging Specification (available from USB-IF)
 - Revision 1.2, December 7, 2010
 - Portable device only

4.13 A/D converter

The following subsections provide information about A/D converter.

4.13.1 12-bit ADC electrical characteristics

4.13.1.1 12-bit ADC operating conditions

Table 76. 12-bit ADC Operating Conditions

| Characteristic | Conditions | Symb | Min | Typ ¹ | Max | Unit | Comment |
|--------------------------|---|-------------------|-------------------|-------------------|-------------------|-------|---------------------------|
| Supply voltage | Absolute | V _{DDAD} | 3.0 | - | 3.6 | V | — |
| | Delta to VDD (VDD-VDDAD) ² | ΔVDDAD | -100 | 0 | 100 | mV | — |
| Ground voltage | Delta to VSS (VSS-VSSAD) | ΔVSSAD | -100 | 0 | 100 | mV | — |
| Ref Voltage High | — | V _{REFH} | 1.13 | V _{DDAD} | V _{DDAD} | V | — |
| Ref Voltage Low | — | V _{REFL} | V _{SSAD} | V _{SSAD} | V _{SSAD} | V | — |
| Input Voltage | — | V _{ADIN} | V _{REFL} | — | V _{REFH} | V | — |
| Input Capacitance | 8/10/12 bit modes | C _{ADIN} | — | 1.5 | 2 | pF | — |
| Input Resistance | ADLPC=0, ADHSC=1 | R _{ADIN} | — | 5 | 7 | kohms | — |
| | ADLPC=0, ADHSC=0 | | — | 12.5 | 15 | kohms | — |
| | ADLPC=1, ADHSC=0 | | — | 25 | 30 | kohms | — |
| Analog Source Resistance | 12 bit mode f _{ADCK} = 40MHz ADLSMP=0, ADSTS=10, ADHSC=1 | R _{AS} | — | — | 1 | kohms | T _{samp} =150 ns |

R_{AS} depends on Sample Time Setting (ADLSMP, ADSTS) and ADC Power Mode (ADHSC, ADLPC). See charts for Minimum Sample Time vs R_{AS}

Table 76. 12-bit ADC Operating Conditions (continued)

| Characteristic | Conditions | Symb | Min | Typ ¹ | Max | Unit | Comment |
|--------------------------------|---------------------------------|------------|-----|------------------|-----|------|---------|
| ADC Conversion Clock Frequency | ADLPC=0, ADHSC=1 12 bit mode | f_{ADCK} | 4 | — | 40 | MHz | — |
| | ADLPC=0, ADHSC=0 12 bit mode | | 4 | — | 30 | MHz | — |
| | ADLPC=1, ADHSC=0 12 bit mode | | 4 | — | 20 | MHz | — |

¹ Typical values assume VDDAD = 3.0 V, Temp = 25°C, f_{ADCK} =20 MHz unless otherwise stated. Typical values are for reference only and are not tested in production.

² DC potential differences



Figure 69. 12-bit ADC Input Impedance Equivalency Diagram

4.13.1.1.1 12-bit ADC characteristics

Table 77. 12-bit ADC Characteristics ($V_{REFH} = V_{DDAD}$, $V_{REFL} = V_{SSAD}$)

| Characteristic | Conditions ¹ | Symb | Min | Typ ² | Max | Unit | Comment |
|-------------------------------|-------------------------|-------------|-----|------------------|-----|---------|-----------------------------|
| [L:] Supply Current | ADLPC=1, ADHSC=0 | I_{DDAD} | — | 250 | — | μA | ADLSMP=0 ADSTS=10 ADCO=1 |
| | ADLPC=0, ADHSC=0 | | | 350 | | | |
| | ADLPC=0, ADHSC=1 | | | 400 | | | |
| [L:] Supply Current | Stop, Reset, Module Off | I_{DDAD} | — | 0.01 | 0.8 | μA | — |
| ADC Asynchronous Clock Source | ADHSC=0 | f_{ADACK} | — | 10 | — | MHz | $t_{ADACK} = 1/f_{ADACK}$ |
| | ADHSC=1 | | | 20 | | | |
| Sample Cycles | ADLSMP=0, ADSTS=00 | Csamp | — | 2 | — | cycles | — |
| | ADLSMP=0, ADSTS=01 | | | 4 | | | |
| | ADLSMP=0, ADSTS=10 | | | 6 | | | |
| | ADLSMP=0, ADSTS=11 | | | 8 | | | |
| | ADLSMP=1, ADSTS=00 | | | 12 | | | |
| | ADLSMP=1, ADSTS=01 | | | 16 | | | |
| | ADLSMP=1, ADSTS=10 | | | 20 | | | |
| | ADLSMP=1, ADSTS=11 | | | 24 | | | |

Table 77. 12-bit ADC Characteristics ($V_{REFH} = V_{DDAD}$, $V_{REFL} = V_{SSAD}$) (continued)

| Characteristic | Conditions ¹ | Symb | Min | Typ ² | Max | Unit | Comment |
|-------------------------------------|-------------------------|-------|-----|------------------|-----|--|-------------|
| Conversion Cycles | ADLSMP=0 ADSTS=00 | Cconv | — | 28 | — | cycles | — |
| | ADLSMP=0 ADSTS=01 | | | 30 | | | |
| | ADLSMP=0 ADSTS=10 | | | 32 | | | |
| | ADLSMP=0 ADSTS=11 | | | 34 | | | |
| | ADLSMP=1 ADSTS=00 | | | 38 | | | |
| | ADLSMP=1 ADSTS=01 | | | 42 | | | |
| | ADLSMP=1 ADSTS=10 | | | 46 | | | |
| | ADLSMP=1, ADSTS=11 | | | 50 | | | |
| Conversion Time | ADLSMP=0 ADSTS=00 | Tconv | — | 0.7 | — | μs | Fadc=40 MHz |
| | ADLSMP=0 ADSTS=01 | | | 0.75 | | | |
| | ADLSMP=0 ADSTS=10 | | | 0.8 | | | |
| | ADLSMP=0 ADSTS=11 | | | 0.85 | | | |
| | ADLSMP=1 ADSTS=00 | | | 0.95 | | | |
| | ADLSMP=1 ADSTS=01 | | | 1.05 | | | |
| | ADLSMP=1 ADSTS=10 | | | 1.15 | | | |
| | ADLSMP=1, ADSTS=11 | | | 1.25 | | | |
| [P:][C:] Total Unadjusted Error | 12 bit mode | TUE | — | 4.5 | — | LSB 1 LSB = $(V_{REFH} - V_{REFL})/2$ N | — |
| | 10 bit mode | | | 2 | | | |
| | 8 bit mode | | | 1.5 | | | |
| [P:][C:] Differential Non-Linearity | 12 bit mode | DNL | — | 1 | — | LSB | — |
| | 10bit mode | | | 0.5 | | | |
| | 8 bit mode | | | 0.2 | | | |

Electrical Characteristics

Table 77. 12-bit ADC Characteristics ($V_{REFH} = V_{DDAD}$, $V_{REFL} = V_{SSAD}$) (continued)

| Characteristic | Conditions ¹ | Symb | Min | Typ ² | Max | Unit | Comment |
|--------------------------------------|-------------------------|-----------------|----------------------------|------------------|-----|------|---------|
| [P:][C:] Integral Non-Linearity | 12 bit mode | INL | — | 2.6 | — | LSB | — |
| | 10bit mode | | — | 0.8 | — | | |
| | 8 bit mode | | — | 0.3 | — | | |
| Zero-Scale Error | 12 bit mode | E _{ZS} | — | -0.3 | — | LSB | — |
| | 10bit mode | | — | -0.15 | — | | |
| | 8 bit mode | | — | -0.15 | — | | |
| Full-Scale Error | 12 bit mode | E _{FS} | — | -2.5 | — | LSB | — |
| | 10bit mode | | — | -0.6 | — | | |
| | 8 bit mode | | — | -0.3 | — | | |
| [L:] Effective Number of Bits | 12 bit mode | ENOB | 10.1 | 10.7 | — | Bits | — |
| [L:] Signal to Noise plus Distortion | See ENOB | SINAD | SINAD = 6.02 x ENOB + 1.76 | | | dB | — |

¹ All accuracy numbers assume the ADC is calibrated with $V_{REFH}=V_{DDAD}$

² Typical values assume $V_{DDAD} = 3.0$ V, Temp = 25°C, $F_{adck}=20$ MHz unless otherwise stated. Typical values are for reference only and are not tested in production.

NOTE

The ADC electrical spec would be met with the calibration enabled configuration.

5 Boot Mode Configuration

This section provides information on boot mode configuration pins allocation and boot devices interfaces allocation.

5.1 Boot Mode Configuration Pins

[Table 78](#) provides boot options, functionality, fuse values, and associated pins. Several input pins are also sampled at reset and can be used to override fuse values, depending on the value of BT_FUSE_SEL fuse. The boot option pins are in effect when BT_FUSE_SEL fuse is '0' (cleared, which is the case for an unblown fuse). For detailed boot mode options configured by the boot mode pins, see the i.MX 6ULL Fuse Map document and the System Boot chapter in *i.MX 6ULL Reference Manual (IMX6ULLRM)*.

Table 78. Fuses and Associated Pins Used for Boot

| Pin | Direction at reset | eFuse name | Details |
|------------|----------------------------|------------|---------------------|
| BOOT_MODE0 | Input with 100 K pull-down | N/A | Boot mode selection |
| BOOT_MODE1 | Input with 100 K pull-down | N/A | Boot mode selection |

Table 78. Fuses and Associated Pins Used for Boot (continued)

| Pin | Direction at reset | eFuse name | Details |
|------------|----------------------------|------------|--|
| LCD_DATA00 | Input with 100 K pull-down | BT_CFG1[0] | Boot Options, Pin value overrides fuse settings for BT_FUSE_SEL = '0'. Signal Configuration as Fuse Override Input at Power Up. These are special I/O lines that control the boot up configuration during product development. In production, the boot configuration can be controlled by fuses. |
| LCD_DATA01 | Input with 100 K pull-down | BT_CFG1[1] | |
| LCD_DATA02 | Input with 100 K pull-down | BT_CFG1[2] | |
| LCD_DATA03 | Input with 100 K pull-down | BT_CFG1[3] | |
| LCD_DATA04 | Input with 100 K pull-down | BT_CFG1[4] | |
| LCD_DATA05 | Input with 100 K pull-down | BT_CFG1[5] | |
| LCD_DATA06 | Input with 100 K pull-down | BT_CFG1[6] | |
| LCD_DATA07 | Input with 100 K pull-down | BT_CFG1[7] | |
| LCD_DATA08 | Input with 100 K pull-down | BT_CFG2[0] | |
| LCD_DATA09 | Input with 100 K pull-down | BT_CFG2[1] | |
| LCD_DATA10 | Input with 100 K pull-down | BT_CFG2[2] | |
| LCD_DATA11 | Input with 100 K pull-down | BT_CFG2[3] | |
| LCD_DATA12 | Input with 100 K pull-down | BT_CFG2[4] | |
| LCD_DATA13 | Input with 100 K pull-down | BT_CFG2[5] | |
| LCD_DATA14 | Input with 100 K pull-down | BT_CFG2[6] | |
| LCD_DATA15 | Input with 100 K pull-down | BT_CFG2[7] | |
| LCD_DATA16 | Input with 100 K pull-down | BT_CFG4[0] | |
| LCD_DATA17 | Input with 100 K pull-down | BT_CFG4[1] | |
| LCD_DATA18 | Input with 100 K pull-down | BT_CFG4[2] | |
| LCD_DATA19 | Input with 100 K pull-down | BT_CFG4[3] | |
| LCD_DATA20 | Input with 100 K pull-down | BT_CFG4[4] | |
| LCD_DATA21 | Input with 100 K pull-down | BT_CFG4[5] | |
| LCD_DATA22 | Input with 100 K pull-down | BT_CFG4[6] | |
| LCD_DATA23 | Input with 100 K pull-down | BT_CFG4[7] | |

5.2 Boot Device Interface Allocation

The following tables list the interfaces that can be used by the boot process in accordance with the specific boot mode configuration. The tables also describe the interface’s specific modes and IOMUXC allocation, which are configured during boot when appropriate.

Table 79. QSPI Boot trough QSPI

| Ball Name | Signal Name | Mux Mode | Common | Quad Mode | + Port A DQS | + Port A CS1 | + Port B | + Port B DQS | + Port B CS1 |
|-----------|--------------|----------|--------|-----------|--------------|--------------|----------|--------------|--------------|
| NAND_WP_B | qspi.A_SCLK | Alt2 | Yes | Yes | | | | | |
| NAND_DQS | qspi.A_SS0_B | Alt2 | Yes | Yes | | | | | |

Table 79. QSPI Boot trough QSPI (continued)

| | | | | | | | | | |
|--------------|----------------|------|-----|-----|-----|-----|-----|-----|-----|
| NAND_READY_B | qspi.A_DATA[0] | Alt2 | Yes | Yes | | | | | |
| NAND_CE0_B | qspi.A_DATA[1] | Alt2 | Yes | Yes | | | | | |
| NAND_CE1_B | qspi.A_DATA[2] | Alt2 | Yes | Yes | | | | | |
| NAND_CLE | qspi.A_DATA[3] | Alt2 | Yes | Yes | | | | | |
| NAND_DATA05 | qspi.B_DATA[3] | Alt2 | | | | | Yes | | |
| NAND_DATA04 | qspi.B_DATA[2] | Alt2 | | | | | Yes | | |
| NAND_DATA03 | qspi.B_DATA[1] | Alt2 | | | | | Yes | | |
| NAND_DATA02 | qspi.B_DATA[0] | Alt2 | | | | | Yes | | |
| NAND_WE_B | qspi.B_SS0_B | Alt2 | | | | | Yes | | |
| NAND_RE_B | qspi.B_SCLK | Alt2 | | | | | Yes | | |
| NAND_DATA07 | qspi.A_SS1_B | Alt2 | | | | Yes | | | |
| NAND_ALE | qspi.A_DQS | Alt2 | | | Yes | | | | |
| NAND_DATA00 | qspi.B_SS1_B | Alt2 | | | | | | | Yes |
| NAND_DATA01 | qspi.B_DQS | Alt2 | | | | | | Yes | |

Table 80. SPI Boot through ECSP11

| Ball Name | Signal Name | Mux Mode | Common | BOOT_CFG4 [5:4]=00b | BOOT_CFG4 [5:4]=01b | BOOT_CFG4 [5:4]=10b | BOOT_CFG4 [5:4]=11b |
|------------|-------------|----------|--------|---------------------|---------------------|---------------------|---------------------|
| CSI_DATA07 | ecspi1.MISO | Alt 3 | Yes | | | | |
| CSI_DATA06 | ecspi1.MOSI | Alt 3 | Yes | | | | |
| CSI_DATA04 | ecspi1.SCLK | Alt 3 | Yes | | | | |
| CSI_DATA05 | ecspi1.SS0 | Alt 3 | | Yes | | | |
| LCD_DATA05 | ecspi1.SS1 | Alt 8 | | | Yes | | |
| LCD_DATA06 | ecspi1.SS2 | Alt 8 | | | | Yes | |
| LCD_DATA07 | ecspi1.SS3 | Alt 8 | | | | | Yes |

Table 81. SPI Boot through ECSP12

| Ball Name | Signal Name | Mux Mode | Common | BOOT_CFG4 [5:4]=00b | BOOT_CFG4 [5:4]=01b | BOOT_CFG4 [5:4]=10b | BOOT_CFG4 [5:4]=11b |
|------------|-------------|----------|--------|---------------------|---------------------|---------------------|---------------------|
| CSI_DATA03 | ecspi2.MISO | Alt 3 | Yes | | | | |
| CSI_DATA02 | ecspi2.MOSI | Alt 3 | Yes | | | | |
| CSI_DATA00 | ecspi2.SCLK | Alt 3 | Yes | | | | |
| CSI_DATA01 | ecspi2.SS0 | Alt 3 | | Yes | | | |
| LCD_HSYNC | ecspi2.SS1 | Alt 8 | | | Yes | | |

Boot Mode Configuration

Table 81. SPI Boot through ECSPi2 (continued)

| | | | | | | | |
|-----------|------------|-------|--|--|--|-----|-----|
| LCD_VSYNC | ecspi2.SS2 | Alt 8 | | | | Yes | |
| LCD_RESET | ecspi2.SS3 | Alt 8 | | | | | Yes |

Table 82. SPI Boot through ECSPi3

| Ball Name | Signal Name | Mux Mode | Common | BOOT_CFG4 [5:4]=00b | BOOT_CFG4[5:4]=01b | BOOT_CFG4[5:4]=10b | BOOT_CFG4 [5:4]=11b |
|---------------|-------------|----------|--------|---------------------|---------------------|---------------------|---------------------|
| UART2_RTS_B | ecspi3.MISO | Alt 8 | Yes | | | | |
| UART2_CTS_B | ecspi3.MOSI | Alt 8 | Yes | | | | |
| UART2_RX_DATA | ecspi3.SCLK | Alt 8 | Yes | | | | |
| UART2_TX_DATA | ecspi3.SS0 | Alt 8 | | Yes | | | |
| NAND_ALE | ecspi3.SS1 | Alt 8 | | | Yes | | |
| NAND_RE_B | ecspi3.SS2 | Alt 8 | | | | Yes | |
| NAND_WE_B | ecspi3.SS3 | Alt 8 | | | | | Yes |

Table 83. SPI Boot through ECSPi4

| Ball Name | Signal Name | Mux Mode | Common | BOOT_CFG4 [5:4]=00b | BOOT_CFG4[5:4]=01b | BOOT_CFG4[5:4]=10b | BOOT_CFG 4[5:4]=11b |
|----------------|-------------|----------|--------|---------------------|---------------------|---------------------|---------------------|
| ENET2_TX_CLK | ecspi4.MISO | Alt 3 | Yes | | | | |
| ENET2_TX_EN | ecspi4.MOSI | Alt 3 | Yes | | | | |
| ENET2_TX_DATA1 | ecspi4.SCLK | Alt 3 | Yes | | | | |
| ENET2_RX_ER | ecspi4.SS0 | Alt 3 | | Yes | | | |
| NAND_DATA01 | ecspi4.SS1 | Alt 8 | | | Yes | | |
| NAND_DATA02 | ecspi4.SS2 | Alt 8 | | | | Yes | |
| NAND_DATA03 | ecspi4.SS3 | Alt 8 | | | | | Yes |

Table 84. NAND Boot through GPiMI

| Ball Name | Signal Name | Mux Mode | Common | BOOT_CFG1[3:2]= 01b | BOOT_CFG1[3:2]= 10b |
|--------------|-----------------|----------|--------|---------------------|---------------------|
| NAND_CLE | rawnand.CLE | Alt 0 | Yes | | |
| NAND_ALE | rawnand.ALE | Alt 0 | Yes | | |
| NAND_WP_B | rawnand.WP_B | Alt 0 | Yes | | |
| NAND_READY_B | rawnand.READY_B | Alt 0 | Yes | | |
| NAND_CE0_B | rawnand.CE0_B | Alt 0 | Yes | | |
| NAND_CE1_B | rawnand.CE1_B | Alt 0 | | Yes | Yes |
| NAND_RE_B | rawnand.RE_B | Alt 0 | Yes | | |

Table 84. NAND Boot through GPMI (continued)

| Ball Name | Signal Name | Mux Mode | Common | BOOT_CFG1[3:2]= 01b | BOOT_CFG1[3:2]= 10b |
|-------------|----------------|----------|--------|------------------------|------------------------|
| NAND_WE_B | rawnand.WE_B | Alt 0 | Yes | | |
| NAND_DATA00 | rawnand.DATA00 | Alt 0 | Yes | | |
| NAND_DATA01 | rawnand.DATA01 | Alt 0 | Yes | | |
| NAND_DATA02 | rawnand.DATA02 | Alt 0 | Yes | | |
| NAND_DATA03 | rawnand.DATA03 | Alt 0 | Yes | | |
| NAND_DATA04 | rawnand.DATA04 | Alt 0 | Yes | | |
| NAND_DATA05 | rawnand.DATA05 | Alt 0 | Yes | | |
| NAND_DATA06 | rawnand.DATA06 | Alt 0 | Yes | | |
| NAND_DATA07 | rawnand.DATA07 | Alt 0 | Yes | | |
| NAND_DQS | rawnand.DQS | Alt 0 | Yes | | |
| CSI_MCLK | rawnand.CE2_B | Alt 2 | | | Yes |
| CSI_PIXCLK | rawnand.CE3_B | Alt 2 | | | Yes |

Table 85. SD/MMC Boot through USDHC1

| Ball Name | Signal Name | Mux Mode | Common | 4-bit | 8-bit | BOOT_CFG1[1]=1 (SD Power Cycle) | SDMMC MFG mode |
|--------------|----------------|----------|--------|-------|-------|------------------------------------|----------------------|
| UART1_RTS_B | usdhc1.CD_B | Alt 2 | | | | | Yes |
| SD1_CLK | usdhc1.CLK | Alt 0 | Yes | | | | |
| SD1_CMD | usdhc1.CMD | Alt 0 | Yes | | | | |
| SD1_DATA0 | usdhc1.DATA0 | Alt 0 | Yes | | | | |
| SD1_DATA1 | usdhc1.DATA1 | Alt 0 | | Yes | Yes | | |
| SD1_DATA2 | usdhc1.DATA2 | Alt 0 | | Yes | Yes | | |
| SD1_DATA3 | usdhc1.DATA3 | Alt 0 | Yes | | | | |
| NAND_READY_B | usdhc1.DATA4 | Alt 1 | | | Yes | | |
| NAND_CE0_B | usdhc1.DATA5 | Alt 1 | | | Yes | | |
| NAND_CE1_B | usdhc1.DATA6 | Alt 1 | | | Yes | | |
| NAND_CLE | usdhc1.DATA7 | Alt 1 | | | Yes | | |
| GPIO1_IO09 | usdhc1.RESET_B | Alt 5 | | | | Yes | |
| GPIO1_IO05 | usdhc1.VSELECT | Alt 4 | | | | Yes | |

Table 86. SD/MMC Boot through USDHC2

| Ball Name | Signal Name | Mux Mode | Common | 4-bit | 8-bit | BOOT_CFG1[1]=1 (SD Power Cycle) |
|-------------|----------------|----------|--------|-------|-------|------------------------------------|
| NAND_RE_B | usdhc2.CLK | Alt 1 | Yes | | | |
| NAND_WE_B | usdhc2.CMD | Alt 1 | Yes | | | |
| NAND_DATA00 | usdhc2.DATA0 | Alt 1 | Yes | | | |
| NAND_DATA01 | usdhc2.DATA1 | Alt 1 | | Yes | Yes | |
| NAND_DATA02 | usdhc2.DATA2 | Alt 1 | | Yes | Yes | |
| NAND_DATA03 | usdhc2.DATA3 | Alt 1 | Yes | | | |
| NAND_DATA04 | usdhc2.DATA4 | Alt 1 | | | Yes | |
| NAND_DATA05 | usdhc2.DATA5 | Alt 1 | | | Yes | |
| NAND_DATA06 | usdhc2.DATA6 | Alt 1 | | | Yes | |
| NAND_DATA07 | usdhc2.DATA7 | Alt 1 | | | Yes | |
| NAND_ALE | usdhc2.RESET_B | Alt 5 | | | | Yes |
| GPIO1_IO08 | usdhc2.VSELECT | Alt 4 | | | | Yes |

Table 87. NOR/OneNAND Boot through EIM

| Ball Name | Signal Name | Mux Mode | Common | ADL16 Non-Mux | AD16 Mux |
|-------------|-------------|----------|--------|------------------|----------|
| CSI_DATA00 | weim.AD[0] | Alt 4 | Yes | | |
| CSI_DATA01 | weim.AD[1] | Alt 4 | Yes | | |
| CSI_DATA02 | weim.AD[2] | Alt 4 | Yes | | |
| CSI_DATA03 | weim.AD[3] | Alt 4 | Yes | | |
| CSI_DATA04 | weim.AD[4] | Alt 4 | Yes | | |
| CSI_DATA05 | weim.AD[5] | Alt 4 | Yes | | |
| CSI_DATA06 | weim.AD[6] | Alt 4 | Yes | | |
| CSI_DATA07 | weim.AD[7] | Alt 4 | Yes | | |
| NAND_DATA00 | weim.AD[8] | Alt 4 | Yes | | |
| NAND_DATA01 | weim.AD[9] | Alt 4 | Yes | | |
| NAND_DATA02 | weim.AD[10] | Alt 4 | Yes | | |
| NAND_DATA03 | weim.AD[11] | Alt 4 | Yes | | |
| NAND_DATA04 | weim.AD[12] | Alt 4 | Yes | | |
| NAND_DATA05 | weim.AD[13] | Alt 4 | Yes | | |
| NAND_DATA06 | weim.AD[14] | Alt 4 | Yes | | |
| NAND_DATA07 | weim.AD[15] | Alt 4 | Yes | | |

Table 87. NOR/OneNAND Boot through EIM (continued)

| Ball Name | Signal Name | Mux Mode | Common | ADL16 Non-Mux | AD16 Mux |
|--------------|---------------|----------|--------|---------------|----------|
| NAND_CLE | weim.ADDR[16] | Alt 4 | | Yes | Yes |
| NAND_ALE | weim.ADDR[17] | Alt 4 | | Yes | Yes |
| NAND_CE1_B | weim.ADDR[18] | Alt 4 | | Yes | Yes |
| SD1_CMD | weim.ADDR[19] | Alt 4 | | Yes | Yes |
| SD1_CLK | weim.ADDR[20] | Alt 4 | | Yes | Yes |
| SD1_DATA0 | weim.ADDR[21] | Alt 4 | | Yes | Yes |
| SD1_DATA1 | weim.ADDR[22] | Alt 4 | | Yes | Yes |
| SD1_DATA2 | weim.ADDR[23] | Alt 4 | | Yes | Yes |
| SD1_DATA3 | weim.ADDR[24] | Alt 4 | | Yes | Yes |
| ENET2_RXER | weim.ADDR[25] | Alt 4 | | Yes | Yes |
| ENET2_CRS_DV | weim.ADDR[26] | Alt 4 | | Yes | Yes |
| CSI_MCLK | weim.CS0_B | Alt 4 | Yes | | |
| LCD_DATA08 | weim.DATA[0] | Alt 4 | | Yes | |
| LCD_DATA09 | weim.DATA[1] | Alt 4 | | Yes | |
| LCD_DATA10 | weim.DATA[2] | Alt 4 | | Yes | |
| LCD_DATA11 | weim.DATA[3] | Alt 4 | | Yes | |
| LCD_DATA12 | weim.DATA[4] | Alt 4 | | Yes | |
| LCD_DATA13 | weim.DATA[5] | Alt 4 | | Yes | |
| LCD_DATA14 | weim.DATA[6] | Alt 4 | | Yes | |
| LCD_DATA15 | weim.DATA[7] | Alt 4 | | Yes | |
| LCD_DATA16 | weim.DATA[8] | Alt 4 | | Yes | |
| LCD_DATA17 | weim.DATA[9] | Alt 4 | | Yes | |
| LCD_DATA18 | weim.DATA[10] | Alt 4 | | Yes | |
| LCD_DATA19 | weim.DATA[11] | Alt 4 | | Yes | |
| LCD_DATA20 | weim.DATA[12] | Alt 4 | | Yes | |
| LCD_DATA21 | weim.DATA[13] | Alt 4 | | Yes | |
| LCD_DATA22 | weim.DATA[14] | Alt 4 | | Yes | |
| LCD_DATA23 | weim.DATA[15] | Alt 4 | | Yes | |
| NAND_RE_B | weim.EB_B[0] | Alt 4 | | Yes | Yes |
| NAND_WE_B | weim.EB_B[1] | Alt 4 | | Yes | Yes |
| CSI_HSYNC | weim.LBA_B | Alt 4 | Yes | | |

Table 87. NOR/OneNAND Boot through EIM (continued)

| Ball Name | Signal Name | Mux Mode | Common | ADL16 Non-Mux | AD16 Mux |
|------------|-------------|----------|--------|---------------|----------|
| CSI_PIXCLK | weim.OE | Alt 4 | Yes | | |
| CSI_VSYNC | weim.RW | Alt 4 | Yes | | |

Table 88. Serial Download through UART1

| Ball Name | Signal Name | Mux Mode | Common |
|---------------|---------------|----------|--------|
| UART1_TX_DATA | uart1.TX_DATA | Alt 0 | Yes |
| UART1_RX_DATA | uart1.RX_DATA | Alt 0 | Yes |

Table 89. Serial Download through UART2

| Ball Name | Signal Name | Mux Mode | Common |
|---------------|---------------|----------|--------|
| UART2_TX_DATA | uart2.TX_DATA | Alt 0 | Yes |
| UART2_RX_DATA | uart2.RX_DATA | Alt 0 | Yes |

6 Package Information and Contact Assignments

This section includes the contact assignment information and mechanical package drawing.

6.1 14 x 14 mm Package Information

6.1.1 14 x 14 mm, 0.8 mm Pitch, Ball Matrix

[Figure 70](#) shows the top, bottom, and side views of the 14 x 14 mm BGA package.



Figure 70. 14 x 14 mm BGA, Case x Package Top, Bottom, and Side Views

6.1.2 14 x 14 mm Supplies Contact Assignments and Functional Contact Assignments

Table 90 shows the device connection list for ground, sense, and reference contact signals.

Table 90. 14 x 14 mm Supplies Contact Assignment

| Supply Rail Name | Ball(s) Position(s) | Remark |
|------------------|---|--------|
| ADC_VREFH | M13 | — |
| DRAM_VREF | P4 | — |
| GPIA0 | R13 | — |
| NGND_KELO | M12 | — |
| NVCC_CSI | F4 | — |
| NVCC_DRAM | G6, H6, J6, K6, L6, M6 | — |
| NVCC_DRAM_2P5 | N6 | — |
| NVCC_ENET | F13 | — |
| NVCC_GPIO | J13 | — |
| NVCC_LCD | E13 | — |
| NVCC_NAND | E7 | — |
| NVCC_PLL | P13 | — |
| NVCC_SD1 | C4 | — |
| NVCC_UART | H13 | — |
| VDD_ARM_CAP | G9, G10, G11, H11 | — |
| VDD_HIGH_CAP | R14, R15 | — |
| VDD_HIGH_IN | N13 | — |
| VDD_SNVS_CAP | N12 | — |
| VDD_SNVS_IN | P12 | — |
| VDD_SOC_CAP | G8, H8, J8, J11, K8, K11, L8, L9, L10, L11 | — |
| VDD_SOC_IN | H9, H10, J9, J10, K9, 10 | — |
| VDD_USB_CAP | R12 | — |
| VDDA_ADC_3P3 | L13 | — |
| VSS | A1, A17, C3, C7, C11, C15, E8, E11, F6, F7, F8, F9, F10, F11, F12, G3, G5, G7, G12, G15, H7, H12, J5, J7, J12, K7, K12, L3, L7, L12, M7, M8, M9, M10, M11, N3, N5, R3, R5, R7, R11, R16, R17, T14, U1, U14, U17 | — |

Table 91 shows an alpha-sorted list of functional contact assignments for the 14 x 14 mm package.

Table 91. 14 x 14 mm Functional Contact Assignments

| Ball Name | 14x14 Ball | Power Group | Ball Type | Out of Reset Condition | | | |
|-------------------|------------|--------------|-----------|------------------------|--------------------|--------------|------------------|
| | | | | Default Mode | Default Function | Input/Output | Value |
| BOOT_MODE0 | T10 | VDD_SNVS_IN | GPIO | ALT5 | GPIO5_IO10 | Input | 100 kΩ pull-down |
| BOOT_MODE1 | U10 | VDD_SNVS_IN | GPIO | ALT5 | GPIO5_IO11 | Input | 100 kΩ pull-down |
| CCM_CLK1_N | P16 | VDD_HIGH_CAP | CCM | — | CCM_CLK1_N | — | — |
| CCM_CLK1_P | P17 | VDD_HIGH_CAP | CCM | — | CCM_CLK1_P | — | — |
| CCM_PMIC_STBY_REQ | U9 | VDD_SNVS_IN | CCM | ALT0 | CCM_PMIC_VSTBY_REQ | Output | — |
| CSI_DATA00 | E4 | NVCC_CSI | GPIO | ALT5 | GPIO4_IO21 | Input | Keeper |
| CSI_DATA01 | E3 | NVCC_CSI | GPIO | ALT5 | GPIO4_IO22 | Input | Keeper |
| CSI_DATA02 | E2 | NVCC_CSI | GPIO | ALT5 | GPIO4_IO23 | Input | Keeper |
| CSI_DATA03 | E1 | NVCC_CSI | GPIO | ALT5 | GPIO4_IO24 | Input | Keeper |
| CSI_DATA04 | D4 | NVCC_CSI | GPIO | ALT5 | GPIO4_IO25 | Input | Keeper |
| CSI_DATA05 | D3 | NVCC_CSI | GPIO | ALT5 | GPIO4_IO26 | Input | Keeper |
| CSI_DATA06 | D2 | NVCC_CSI | GPIO | ALT5 | GPIO4_IO27 | Input | Keeper |
| CSI_DATA07 | D1 | NVCC_CSI | GPIO | ALT5 | GPIO4_IO28 | Input | Keeper |
| CSI_HSYNC | F3 | NVCC_CSI | GPIO | ALT5 | GPIO4_IO20 | Input | Keeper |
| CSI_MCLK | F5 | NVCC_CSI | GPIO | ALT5 | GPIO4_IO17 | Input | Keeper |
| CSI_PIXCLK | E5 | NVCC_CSI | GPIO | ALT5 | GPIO4_IO18 | Input | Keeper |
| CSI_VSYNC | F2 | NVCC_CSI | GPIO | ALT5 | GPIO4_IO19 | Input | Keeper |
| DRAM_ADDR00 | L5 | NVCC_DRAM | MMDC | ALT0 | DRAM_ADDR00 | Output | 100 kΩ pull-up |
| DRAM_ADDR01 | H2 | NVCC_DRAM | DDR | ALT0 | DRAM_ADDR01 | Output | 100 kΩ pull-up |
| DRAM_ADDR02 | K1 | NVCC_DRAM | DDR | ALT0 | DRAM_ADDR02 | Output | 100 kΩ pull-up |
| DRAM_ADDR03 | M2 | NVCC_DRAM | DDR | ALT0 | DRAM_ADDR03 | Output | 100 kΩ pull-up |
| DRAM_ADDR04 | K4 | NVCC_DRAM | DDR | ALT0 | DRAM_ADDR04 | Output | 100 kΩ pull-up |
| DRAM_ADDR05 | L1 | NVCC_DRAM | DDR | ALT0 | DRAM_ADDR05 | Output | 100 kΩ pull-up |
| DRAM_ADDR06 | G2 | NVCC_DRAM | DDR | ALT0 | DRAM_ADDR06 | Output | 100 kΩ pull-up |

Table 91. 14 x 14 mm Functional Contact Assignments (continued)

| | | | | | | | |
|-------------|----|-----------|-----|------|-------------|--------|---------------------------|
| DRAM_ADDR07 | H4 | NVCC_DRAM | DDR | ALT0 | DRAM_ADDR07 | Output | 100 k Ω pull-up |
| DRAM_ADDR08 | J4 | NVCC_DRAM | DDR | ALT0 | DRAM_ADDR08 | Output | 100 k Ω pull-up |
| DRAM_ADDR09 | L2 | NVCC_DRAM | DDR | ALT0 | DRAM_ADDR09 | Output | 100 k Ω pull-up |
| DRAM_ADDR10 | M4 | NVCC_DRAM | DDR | ALT0 | DRAM_ADDR10 | Output | 100 k Ω pull-up |
| DRAM_ADDR11 | K3 | NVCC_DRAM | DDR | ALT0 | DRAM_ADDR11 | Output | 100 k Ω pull-up |
| DRAM_ADDR12 | L4 | NVCC_DRAM | DDR | ALT0 | DRAM_ADDR12 | Output | 100 k Ω pull-up |
| DRAM_ADDR13 | H3 | NVCC_DRAM | DDR | ALT0 | DRAM_ADDR13 | Output | 100 k Ω pull-up |
| DRAM_ADDR14 | G1 | NVCC_DRAM | DDR | ALT0 | DRAM_ADDR14 | Output | 100 k Ω pull-up |
| DRAM_ADDR15 | K5 | NVCC_DRAM | DDR | ALT0 | DRAM_ADDR15 | Output | 100 k Ω pull-up |
| DRAM_CAS_B | J2 | NVCC_DRAM | DDR | ALT0 | DRAM_CAS_B | Output | 100 k Ω pull-up |
| DRAM_CS0_B | N2 | NVCC_DRAM | DDR | ALT0 | DRAM_CS0_B | Output | 100 k Ω pull-up |
| DRAM_CS1_B | H5 | NVCC_DRAM | DDR | ALT0 | DRAM_CS1_B | Output | 100 k Ω pull-up |
| DRAM_DATA00 | T4 | NVCC_DRAM | DDR | ALT0 | DRAM_DATA00 | Input | 100 k Ω pull-up |
| DRAM_DATA01 | U6 | NVCC_DRAM | DDR | ALT0 | DRAM_DATA01 | Input | 100 k Ω pull-up |
| DRAM_DATA02 | T6 | NVCC_DRAM | DDR | ALT0 | DRAM_DATA02 | Input | 100 k Ω pull-up |
| DRAM_DATA03 | U7 | NVCC_DRAM | DDR | ALT0 | DRAM_DATA03 | Input | 100 k Ω pull-up |
| DRAM_DATA04 | U8 | NVCC_DRAM | DDR | ALT0 | DRAM_DATA04 | Input | 100 k Ω pull-up |
| DRAM_DATA05 | T8 | NVCC_DRAM | DDR | ALT0 | DRAM_DATA05 | Input | 100 k Ω pull-up |
| DRAM_DATA06 | T5 | NVCC_DRAM | DDR | ALT0 | DRAM_DATA06 | Input | 100 k Ω pull-up |
| DRAM_DATA07 | U4 | NVCC_DRAM | DDR | ALT0 | DRAM_DATA07 | Input | 100 k Ω pull-up |
| DRAM_DATA08 | U2 | NVCC_DRAM | DDR | ALT0 | DRAM_DATA08 | Input | 100 k Ω pull-up |

Table 91. 14 x 14 mm Functional Contact Assignments (continued)

| | | | | | | | |
|---------------|----|-----------|--------|------|---------------|--------|-----------------------------|
| DRAM_DATA09 | U3 | NVCC_DRAM | DDR | ALT0 | DRAM_DATA09 | Input | 100 k Ω pull-up |
| DRAM_DATA10 | U5 | NVCC_DRAM | DDR | ALT0 | DRAM_DATA10 | Input | 100 k Ω pull-up |
| DRAM_DATA11 | R4 | NVCC_DRAM | DDR | ALT0 | DRAM_DATA11 | Input | 100 k Ω pull-up |
| DRAM_DATA12 | P5 | NVCC_DRAM | DDR | ALT0 | DRAM_DATA12 | Input | 100 k Ω pull-up |
| DRAM_DATA13 | P3 | NVCC_DRAM | DDR | ALT0 | DRAM_DATA13 | Input | 100 k Ω pull-up |
| DRAM_DATA14 | R2 | NVCC_DRAM | DDR | ALT0 | DRAM_DATA14 | Input | 100 k Ω pull-up |
| DRAM_DATA15 | R1 | NVCC_DRAM | DDR | ALT0 | DRAM_DATA15 | Input | 100 k Ω pull-up |
| DRAM_DQM0 | T7 | NVCC_DRAM | DDR | ALT0 | DRAM_DQM0 | Output | 100 k Ω pull-up |
| DRAM_DQM1 | T3 | NVCC_DRAM | DDR | ALT0 | DRAM_DQM1 | Output | 100 k Ω pull-up |
| DRAM_ODT0 | N1 | NVCC_DRAM | DDR | ALT0 | DRAM_ODT0 | Output | 100 k Ω pull-down |
| DRAM_ODT1 | F1 | NVCC_DRAM | DDR | ALT0 | DRAM_ODT1 | Output | 100 k Ω pull-down |
| DRAM_RAS_B | M5 | NVCC_DRAM | DDR | ALT0 | DRAM_RAS_B | Output | 100 k Ω pull-up |
| DRAM_RESET | G4 | NVCC_DRAM | DDR | ALT0 | DRAM_RESET | Output | 100 k Ω pull-down |
| DRAM_SDBA0 | M1 | NVCC_DRAM | DDR | ALT0 | DRAM_SDBA0 | Output | 100 k Ω pull-up |
| DRAM_SDBA1 | H1 | NVCC_DRAM | DDR | ALT0 | DRAM_SDBA1 | Output | 100 k Ω pull-up |
| DRAM_SDBA2 | K2 | NVCC_DRAM | DDR | ALT0 | DRAM_SDBA2 | Output | 100 k Ω pull-up |
| DRAM_SDCKE0 | M3 | NVCC_DRAM | DDR | ALT0 | DRAM_SDCKE0 | Output | 100 k Ω pull-down |
| DRAM_SDCKE1 | J3 | NVCC_DRAM | DDR | ALT0 | DRAM_SDCKE1 | Output | 100 k Ω pull-down |
| DRAM_SDCLK0_N | P2 | NVCC_DRAM | DDRCLK | ALT0 | DRAM_SDCLK0_N | Input | 100 k Ω pull-up |
| DRAM_SDCLK0_P | P1 | NVCC_DRAM | DDRCLK | ALT0 | DRAM_SDCLK0_P | Input | 100 k Ω pull-up |
| DRAM_SDQS0_N | P7 | NVCC_DRAM | DDRCLK | ALT0 | DRAM_SDQS0_N | Input | 100 k Ω pull-down |

Table 91. 14 x 14 mm Functional Contact Assignments (continued)

| | | | | | | | |
|----------------|-----|-----------|--------|------|--------------|--------|--------------------------|
| DRAM_SDQS0_P | P6 | NVCC_DRAM | DDRCLK | ALT0 | DRAM_SDQS0_P | Input | 100 k Ω pull-down |
| DRAM_SDQS1_N | T2 | NVCC_DRAM | DDRCLK | ALT0 | DRAM_SDQS1_N | Input | 100 k Ω pull-down |
| DRAM_SDQS1_P | T1 | NVCC_DRAM | DDRCLK | ALT0 | DRAM_SDQS1_P | Input | 100 k Ω pull-down |
| DRAM_SDWE_B | J1 | NVCC_DRAM | DDR | ALT0 | DRAM_SDWE_B | Output | 100 k Ω pull-up |
| DRAM_ZQPAD | N4 | NVCC_DRAM | GPIO | — | DRAM_ZQPAD | Input | Keeper |
| ENET1_RX_DATA0 | F16 | NVCC_ENET | GPIO | ALT5 | GPIO2_IO0 | Input | Keeper |
| ENET1_RX_DATA1 | E17 | NVCC_ENET | GPIO | ALT5 | GPIO2_IO1 | Input | Keeper |
| ENET1_RX_EN | E16 | NVCC_ENET | GPIO | ALT5 | GPIO2_IO2 | Input | Keeper |
| ENET1_RX_ER | D15 | NVCC_ENET | GPIO | ALT5 | GPIO2_IO7 | Input | Keeper |
| ENET1_TX_CLK | F14 | NVCC_ENET | GPIO | ALT5 | GPIO2_IO6 | Input | Keeper |
| ENET1_TX_DATA0 | E15 | NVCC_ENET | GPIO | ALT5 | GPIO2_IO3 | Input | Keeper |
| ENET1_TX_DATA1 | E14 | NVCC_ENET | GPIO | ALT5 | GPIO2_IO4 | Input | Keeper |
| ENET1_TX_EN | F15 | NVCC_ENET | GPIO | ALT5 | GPIO2_IO5 | Input | Keeper |
| ENET2_RX_DATA0 | C17 | NVCC_ENET | GPIO | ALT5 | GPIO2_IO8 | Input | Keeper |
| ENET2_RX_DATA1 | C16 | NVCC_ENET | GPIO | ALT5 | GPIO2_IO9 | Input | Keeper |
| ENET2_RX_EN | B17 | NVCC_ENET | GPIO | ALT5 | GPIO2_IO10 | Input | Keeper |
| ENET2_RX_ER | D16 | NVCC_ENET | GPIO | ALT5 | GPIO2_IO15 | Input | Keeper |
| ENET2_TX_CLK | D17 | NVCC_ENET | GPIO | ALT5 | GPIO2_IO14 | Input | Keeper |
| ENET2_TX_DATA0 | A15 | NVCC_ENET | GPIO | ALT5 | GPIO2_IO11 | Input | Keeper |
| ENET2_TX_DATA1 | A16 | NVCC_ENET | GPIO | ALT5 | GPIO2_IO12 | Input | Keeper |
| ENET2_TX_EN | B15 | NVCC_ENET | GPIO | ALT5 | GPIO2_IO13 | Input | Keeper |
| GPIO1_IO00 | K13 | NVCC_GPIO | GPIO | ALT5 | GPIO1_IO00 | Input | Keeper |
| GPIO1_IO01 | L15 | NVCC_GPIO | GPIO | ALT5 | GPIO1_IO01 | Input | Keeper |
| GPIO1_IO02 | L14 | NVCC_GPIO | GPIO | ALT5 | GPIO1_IO02 | Input | Keeper |
| GPIO1_IO03 | L17 | NVCC_GPIO | GPIO | ALT5 | GPIO1_IO03 | Input | Keeper |
| GPIO1_IO04 | M16 | NVCC_GPIO | GPIO | ALT5 | GPIO1_IO04 | Input | Keeper |
| GPIO1_IO05 | M17 | NVCC_GPIO | GPIO | ALT5 | GPIO1_IO05 | Input | Keeper |
| GPIO1_IO06 | K17 | NVCC_GPIO | GPIO | ALT5 | GPIO1_IO06 | Input | Keeper |
| GPIO1_IO07 | L16 | NVCC_GPIO | GPIO | ALT5 | GPIO1_IO07 | Input | Keeper |
| GPIO1_IO08 | N17 | NVCC_GPIO | GPIO | ALT5 | GPIO1_IO08 | Input | Keeper |
| GPIO1_IO09 | M15 | NVCC_GPIO | GPIO | ALT5 | GPIO1_IO09 | Input | Keeper |

Table 91. 14 x 14 mm Functional Contact Assignments (continued)

| | | | | | | | |
|-------------|-----|-----------|------|------|------------|--------|----------------|
| JTAG_MOD | P15 | NVCC_GPIO | SJC | ALT0 | SJC_MOD | Input | 100 kΩ pull-up |
| JTAG_TCK | M14 | NVCC_GPIO | SJC | ALT0 | SJC_TCK | Input | 47 kΩ pull-up |
| JTAG_TDI | N16 | NVCC_GPIO | SJC | ALT0 | SJC_TDI | Input | 47 kΩ pull-up |
| JTAG_TDO | N15 | NVCC_GPIO | SJC | ALT0 | SJC_TDO | Output | Keeper |
| JTAG_TMS | P14 | NVCC_GPIO | SJC | ALT0 | SJC_TMS | Input | 47 kΩ pull-up |
| JTAG_TRST_B | N14 | NVCC_GPIO | SJC | ALT0 | SJC_TRSTB | Input | 47 kΩ pull-up |
| LCD_CLK | A8 | NVCC_LCD | GPIO | ALT5 | GPIO3_IO0 | Input | Keeper |
| LCD_DATA00 | B9 | NVCC_LCD | GPIO | ALT5 | GPIO3_IO5 | Input | Keeper |
| LCD_DATA01 | A9 | NVCC_LCD | GPIO | ALT5 | GPIO3_IO6 | Input | Keeper |
| LCD_DATA02 | E10 | NVCC_LCD | GPIO | ALT5 | GPIO3_IO7 | Input | Keeper |
| LCD_DATA03 | D10 | NVCC_LCD | GPIO | ALT5 | GPIO3_IO8 | Input | Keeper |
| LCD_DATA04 | C10 | NVCC_LCD | GPIO | ALT5 | GPIO3_IO9 | Input | Keeper |
| LCD_DATA05 | B10 | NVCC_LCD | GPIO | ALT5 | GPIO3_IO10 | Input | Keeper |
| LCD_DATA06 | A10 | NVCC_LCD | GPIO | ALT5 | GPIO3_IO11 | Input | Keeper |
| LCD_DATA07 | D11 | NVCC_LCD | GPIO | ALT5 | GPIO3_IO12 | Input | Keeper |
| LCD_DATA08 | B11 | NVCC_LCD | GPIO | ALT5 | GPIO3_IO13 | Input | Keeper |
| LCD_DATA09 | A11 | NVCC_LCD | GPIO | ALT5 | GPIO3_IO14 | Input | Keeper |
| LCD_DATA10 | E12 | NVCC_LCD | GPIO | ALT5 | GPIO3_IO15 | Input | Keeper |
| LCD_DATA11 | D12 | NVCC_LCD | GPIO | ALT5 | GPIO3_IO16 | Input | Keeper |
| LCD_DATA12 | C12 | NVCC_LCD | GPIO | ALT5 | GPIO3_IO17 | Input | Keeper |
| LCD_DATA13 | B12 | NVCC_LCD | GPIO | ALT5 | GPIO3_IO18 | Input | Keeper |
| LCD_DATA14 | A12 | NVCC_LCD | GPIO | ALT5 | GPIO3_IO19 | Input | Keeper |
| LCD_DATA15 | D13 | NVCC_LCD | GPIO | ALT5 | GPIO3_IO20 | Input | Keeper |
| LCD_DATA16 | C13 | NVCC_LCD | GPIO | ALT5 | GPIO3_IO21 | Input | Keeper |
| LCD_DATA17 | B13 | NVCC_LCD | GPIO | ALT5 | GPIO3_IO22 | Input | Keeper |
| LCD_DATA18 | A13 | NVCC_LCD | GPIO | ALT5 | GPIO3_IO23 | Input | Keeper |
| LCD_DATA19 | D14 | NVCC_LCD | GPIO | ALT5 | GPIO3_IO24 | Input | Keeper |
| LCD_DATA20 | C14 | NVCC_LCD | GPIO | ALT5 | GPIO3_IO25 | Input | Keeper |
| LCD_DATA21 | B14 | NVCC_LCD | GPIO | ALT5 | GPIO3_IO26 | Input | Keeper |
| LCD_DATA22 | A14 | NVCC_LCD | GPIO | ALT5 | GPIO3_IO27 | Input | Keeper |
| LCD_DATA23 | B16 | NVCC_LCD | GPIO | ALT5 | GPIO3_IO28 | Input | Keeper |

Table 91. 14 x 14 mm Functional Contact Assignments (continued)

| | | | | | | | |
|--------------|-----|--------------|--------|------|-------------|-------|------------------------|
| LCD_ENABLE | B8 | NVCC_LCD | GPIO | ALT5 | GPIO3_IO1 | Input | Keeper |
| LCD_HSYNC | D9 | NVCC_LCD | GPIO | ALT5 | GPIO3_IO2 | Input | Keeper |
| LCD_RESET | E9 | NVCC_LCD | GPIO | ALT5 | GPIO3_IO4 | Input | Keeper |
| LCD_VSYNC | C9 | NVCC_LCD | GPIO | ALT5 | GPIO3_IO3 | Input | Keeper |
| NAND_ALE | B4 | NVCC_NAND | GPIO | ALT5 | GPIO4_IO10 | Input | Keeper |
| NAND_CE0_B | C5 | NVCC_NAND | GPIO | ALT5 | GPIO4_IO13 | Input | Keeper |
| NAND_CE1_B | B5 | NVCC_NAND | GPIO | ALT5 | GPIO4_IO14 | Input | Keeper |
| NAND_CLE | A4 | NVCC_NAND | GPIO | ALT5 | GPIO4_IO15 | Input | Keeper |
| NAND_DATA00 | D7 | NVCC_NAND | GPIO | ALT5 | GPIO4_IO2 | Input | Keeper |
| NAND_DATA01 | B7 | NVCC_NAND | GPIO | ALT5 | GPIO4_IO3 | Input | Keeper |
| NAND_DATA02 | A7 | NVCC_NAND | GPIO | ALT5 | GPIO4_IO4 | Input | Keeper |
| NAND_DATA03 | D6 | NVCC_NAND | GPIO | ALT5 | GPIO4_IO5 | Input | Keeper |
| NAND_DATA04 | C6 | NVCC_NAND | GPIO | ALT5 | GPIO4_IO6 | Input | Keeper |
| NAND_DATA05 | B6 | NVCC_NAND | GPIO | ALT5 | GPIO4_IO7 | Input | Keeper |
| NAND_DATA06 | A6 | NVCC_NAND | GPIO | ALT5 | GPIO4_IO8 | Input | Keeper |
| NAND_DATA07 | A5 | NVCC_NAND | GPIO | ALT5 | GPIO4_IO9 | Input | Keeper |
| NAND_DQS | E6 | NVCC_NAND | GPIO | ALT5 | GPIO4_IO16 | Input | Keeper |
| NAND_RE_B | D8 | NVCC_NAND | GPIO | ALT5 | GPIO4_IO0 | Input | Keeper |
| NAND_READY_B | A3 | NVCC_NAND | GPIO | ALT5 | GPIO4_IO12 | Input | Keeper |
| NAND_WE_B | C8 | NVCC_NAND | GPIO | ALT5 | GPIO4_IO1 | Input | Keeper |
| NAND_WP_B | D5 | NVCC_NAND | GPIO | ALT5 | GPIO4_IO11 | Input | Keeper |
| ONOFF | R8 | VDD_SNVS_IN | SRC | ALT0 | SRC_RESET_B | Input | 100 k Ω pull-up |
| POR_B | P8 | VDD_SNVS_IN | SRC | ALT0 | SRC_POR_B | Input | 100 k Ω pull-up |
| RTC_XTALI | T11 | VDD_SNVS_CAP | ANALOG | — | RTC_XTALI | — | — |
| RTC_XTALO | U11 | VDD_SNVS_CAP | ANALOG | — | RTC_XTALO | — | — |
| SD1_CLK | C1 | NVCC_SD | GPIO | ALT5 | GPIO2_IO17 | Input | Keeper |
| SD1_CMD | C2 | NVCC_SD | GPIO | ALT5 | GPIO2_IO16 | Input | Keeper |
| SD1_DATA0 | B3 | NVCC_SD | GPIO | ALT5 | GPIO2_IO18 | Input | Keeper |
| SD1_DATA1 | B2 | NVCC_SD | GPIO | ALT5 | GPIO2_IO19 | Input | Keeper |
| SD1_DATA2 | B1 | NVCC_SD | GPIO | ALT5 | GPIO2_IO20 | Input | Keeper |
| SD1_DATA3 | A2 | NVCC_SD | GPIO | ALT5 | GPIO2_IO21 | Input | Keeper |

Table 91. 14 x 14 mm Functional Contact Assignments (continued)

| | | | | | | | |
|------------------|-----|-------------|------|------|--------------------------------------|--------|-------------------------------------|
| SNVS_PMIC_ON_REQ | T9 | VDD_SNVS_IN | GPIO | ALT0 | SNVS_PMIC_ON_REQ | Output | 100 kΩ pull-up |
| SNVS_TAMPER0 | R10 | VDD_SNVS_IN | GPIO | ALT5 | GPIO5_IO00/SNVS_TAMPER0 ¹ | Input | Keeper/Not connected ^{1,2} |
| SNVS_TAMPER1 | R9 | VDD_SNVS_IN | GPIO | ALT5 | GPIO5_IO01/SNVS_TAMPER1 ¹ | Input | Keeper/Not connected ^{1,2} |
| SNVS_TAMPER2 | P11 | VDD_SNVS_IN | GPIO | ALT5 | GPIO5_IO02/SNVS_TAMPER2 ¹ | Input | Keeper/Not connected ^{1,2} |
| SNVS_TAMPER3 | P10 | VDD_SNVS_IN | GPIO | ALT5 | GPIO5_IO03/SNVS_TAMPER3 ¹ | Input | Keeper/Not connected ^{1,2} |
| SNVS_TAMPER4 | P9 | VDD_SNVS_IN | GPIO | ALT5 | GPIO5_IO04/SNVS_TAMPER4 ¹ | Input | Keeper/Not connected ^{1,2} |
| SNVS_TAMPER5 | N8 | VDD_SNVS_IN | GPIO | ALT5 | GPIO5_IO05/SNVS_TAMPER5 ¹ | Input | Keeper/Not connected ^{1,2} |
| SNVS_TAMPER6 | N11 | VDD_SNVS_IN | GPIO | ALT5 | GPIO5_IO06/SNVS_TAMPER6 ¹ | Input | Keeper/Not connected ^{1,2} |
| SNVS_TAMPER7 | N10 | VDD_SNVS_IN | GPIO | ALT5 | GPIO5_IO07/SNVS_TAMPER7 ¹ | Input | Keeper/Not connected ^{1,2} |
| SNVS_TAMPER8 | N9 | VDD_SNVS_IN | GPIO | ALT5 | GPIO5_IO08/SNVS_TAMPER8 ¹ | Input | Keeper/Not connected ^{1,2} |
| SNVS_TAMPER9 | R6 | VDD_SNVS_IN | GPIO | ALT5 | GPIO5_IO09/SNVS_TAMPER9 ¹ | Input | Keeper/Not connected ^{1,2} |
| TEST_MODE | N7 | VDD_SNVS_IN | TCU | ALT0 | TCU_TEST_MODE | Input | Keeper |
| UART1_CTS_B | K15 | NVCC_UART | GPIO | ALT5 | GPIO1_IO18 | Input | Keeper |
| UART1_RTS_B | J14 | NVCC_UART | GPIO | ALT5 | GPIO1_IO19 | Input | Keeper |
| UART1_RX_DATA | K16 | NVCC_UART | GPIO | ALT5 | GPIO1_IO17 | Input | Keeper |

Table 91. 14 x 14 mm Functional Contact Assignments (continued)

| | | | | | | | |
|----------------|-----|-------------|------------|------|----------------|-------|--------|
| UART1_TX_DATA | K14 | NVCC_UART | GPIO | ALT5 | GPIO1_IO16 | Input | Keeper |
| UART2_CTS_B | J15 | NVCC_UART | GPIO | ALT5 | GPIO1_IO22 | Input | Keeper |
| UART2_RTS_B | H14 | NVCC_UART | GPIO | ALT5 | GPIO1_IO23 | Input | Keeper |
| UART2_RX_DATA | J16 | NVCC_UART | GPIO | ALT5 | GPIO1_IO21 | Input | Keeper |
| UART2_TX_DATA | J17 | NVCC_UART | GPIO | ALT5 | GPIO1_IO20 | Input | Keeper |
| UART3_CTS_B | H15 | NVCC_UART | GPIO | ALT5 | GPIO1_IO26 | Input | Keeper |
| UART3_RTS_B | G14 | NVCC_UART | GPIO | ALT5 | GPIO1_IO27 | Input | Keeper |
| UART3_RX_DATA | H16 | NVCC_UART | GPIO | ALT5 | GPIO1_IO25 | Input | Keeper |
| UART3_TX_DATA | H17 | NVCC_UART | GPIO | ALT5 | GPIO1_IO24 | Input | Keeper |
| UART4_RX_DATA | G16 | NVCC_UART | GPIO | ALT5 | GPIO1_IO29 | Input | Keeper |
| UART4_TX_DATA | G17 | NVCC_UART | GPIO | ALT5 | GPIO1_IO28 | Input | Keeper |
| UART5_RX_DATA | G13 | NVCC_UART | GPIO | ALT5 | GPIO1_IO31 | Input | Keeper |
| UART5_TX_DATA | F17 | NVCC_UART | GPIO | ALT5 | GPIO1_IO30 | Input | Keeper |
| USB_OTG1_CHD_B | U16 | OPEN DRAIN | GPIO | — | USB_OTG1_CHD_B | — | — |
| USB_OTG1_DN | T15 | VDD_USB_CAP | ANALOG | — | USB_OTG1_DN | — | — |
| USB_OTG1_DP | U15 | VDD_USB_CAP | ANALOG | — | USB_OTG1_DP | — | — |
| USB_OTG1_VBUS | T12 | USB_VBUS | VBUS POWER | — | USB_OTG1_VBUS | — | — |
| USB_OTG2_DN | T13 | VDD_USB_CAP | ANALOG | — | USB_OTG2_DN | — | — |
| USB_OTG2_DP | U13 | VDD_USB_CAP | ANALOG | — | USB_OTG2_DP | — | — |
| USB_OTG2_VBUS | U12 | USB_VBUS | VBUS POWER | — | USB_OTG2_VBUS | — | — |
| XTALI | T16 | NVCC_PLL | ANALOG | — | XTALI | — | — |
| XTALO | T17 | NVCC_PLL | ANALOG | — | XTALO | — | — |

¹ SNVS_TAMPER0 to SNVS_TAMPER9 can be configured as GPIO or tamper detection pin, it is depending on the fuse setting TAMPER_PIN_DISABLE[1:0]. When the pad is configured as GPIO, the value is keeper out of reset.

² SNVS_TAMPER0 to SNVS_TAMPER9 is input unconnected in the following conditions.

—SNVS low power mode when configured as GPIO

—Tamper functions are not used when configured as TAMPER detection pins

It is required to connect external 1M Ohm pull-up or pull-down resistors to the pad to avoid the undesired leakage under two conditions above.

6.1.3 14 x 14 mm, 0.8 mm Pitch, Ball Map

Table 92 shows the 14 x 14 mm, 0.8 mm pitch ball map for the i.MX 6ULL.

Table 92. 14 x 14 mm, 0.8 mm Pitch, Ball Map

| | G | F | E | D | C | B | A |
|--|---------------|----------------|----------------|--------------|----------------|-------------|----------------|
| | DRAM_ADDR14 | DRAM_ODT1 | CSI_DATA03 | CSI_DATA07 | SD1_CLK | SD1_DATA2 | VSS |
| | DRAM_ADDR06 | CSI_VSYNC | CSI_DATA02 | CSI_DATA06 | SD1_CMD | SD1_DATA1 | SD1_DATA3 |
| | VSS | CSI_HSYNC | CSI_DATA01 | CSI_DATA05 | VSS | SD1_DATA0 | NAND_READY_B |
| | DRAM_RESET | NVCC_CSI | CSI_DATA00 | CSI_DATA04 | NVCC_SD1 | NAND_ALE | NAND_CLE |
| | VSS | CSI_MCLK | CSI_PIXCLK | NAND_WP_B | NAND_CE0_B | NAND_CE1_B | NAND_DATA07 |
| | NVCC_DRAM | VSS | NAND_DQS | NAND_DATA03 | NAND_DATA04 | NAND_DATA05 | NAND_DATA06 |
| | VSS | VSS | NVCC_NAND | NAND_DATA00 | VSS | NAND_DATA01 | NAND_DATA02 |
| | VDD_SOC_CAP | VSS | VSS | NAND_RE_B | NAND_WE_B | LCD_ENABLE | LCD_CLK |
| | VDD_ARM_CAP | VSS | LCD_RESET | LCD_HSYNC | LCD_VSYNC | LCD_DATA00 | LCD_DATA01 |
| | VDD_ARM_CAP | VSS | LCD_DATA02 | LCD_DATA03 | LCD_DATA04 | LCD_DATA05 | LCD_DATA06 |
| | VDD_ARM_CAP | VSS | VSS | LCD_DATA07 | VSS | LCD_DATA08 | LCD_DATA09 |
| | VSS | VSS | LCD_DATA10 | LCD_DATA11 | LCD_DATA12 | LCD_DATA13 | LCD_DATA14 |
| | UART5_RX_DATA | NVCC_ENET | NVCC_LCD | LCD_DATA15 | LCD_DATA16 | LCD_DATA17 | LCD_DATA18 |
| | UART3_RTS_B | ENET1_TX_CLK | ENET1_TX_DATA1 | LCD_DATA19 | LCD_DATA20 | LCD_DATA21 | LCD_DATA22 |
| | VSS | ENET1_TX_EN | ENET1_TX_DATA0 | ENET1_RX_ER | VSS | ENET2_TX_EN | ENET2_TX_DATA0 |
| | UART4_RX_DATA | ENET1_RX_DATA0 | ENET1_RX_EN | ENET2_RX_ER | ENET2_RX_DATA1 | LCD_DATA23 | ENET2_TX_DATA1 |
| | UART4_TX_DATA | UART5_TX_DATA | ENET1_RX_DATA1 | ENET2_TX_CLK | ENET2_RX_DATA0 | ENET2_RX_EN | VSS |
| | G | F | E | D | C | B | A |

Table 92. 14 x 14 mm, 0.8 mm Pitch, Ball Map (continued)

| P | N | M | L | K | J | H |
|---------------|---------------|-------------|--------------|---------------|---------------|---------------|
| DRAM_SDCLK0_P | DRAM_ODT0 | DRAM_SDBA0 | DRAM_ADDR05 | DRAM_ADDR02 | DRAM_SDWE_B | DRAM_SDBA1 |
| DRAM_SDCLK0_N | DRAM_CS0_B | DRAM_ADDR03 | DRAM_ADDR09 | DRAM_SDBA2 | DRAM_CAS_B | DRAM_ADDR01 |
| DRAM_DATA13 | VSS | DRAM_SDCKE0 | VSS | DRAM_ADDR11 | DRAM_SDCKE1 | DRAM_ADDR13 |
| DRAM_VREF | DRAM_ZQPAD | DRAM_ADDR10 | DRAM_ADDR12 | DRAM_ADDR04 | DRAM_ADDR08 | DRAM_ADDR07 |
| DRAM_DATA12 | VSS | DRAM_RAS_B | DRAM_ADDR00 | DRAM_ADDR15 | VSS | DRAM_CS1_B |
| DRAM_SDQS0_P | NVCC_DRAM_2P5 | NVCC_DRAM | NVCC_DRAM | NVCC_DRAM | NVCC_DRAM | NVCC_DRAM |
| DRAM_SDQS0_N | TEST_MODE | VSS | VSS | VSS | VSS | VSS |
| POR_B | SNVS_TAMPER5 | VSS | VDD_SOC_CAP | VDD_SOC_CAP | VDD_SOC_CAP | VDD_SOC_CAP |
| SNVS_TAMPER4 | SNVS_TAMPER8 | VSS | VDD_SOC_CAP | VDD_SOC_IN | VDD_SOC_IN | VDD_SOC_IN |
| SNVS_TAMPER3 | SNVS_TAMPER7 | VSS | VDD_SOC_CAP | VDD_SOC_IN | VDD_SOC_IN | VDD_SOC_IN |
| SNVS_TAMPER2 | SNVS_TAMPER6 | VSS | VDD_SOC_CAP | VDD_SOC_CAP | VDD_SOC_CAP | VDD_ARM_CAP |
| VDD_SNVS_IN | VDD_SNVS_CAP | NGND_KEL0 | VSS | VSS | VSS | VSS |
| NVCC_PLL | VDD_HIGH_IN | ADC_VREFH | VDDA_ADC_3P3 | GPIO1_IO00 | NVCC_GPIO | NVCC_UART |
| JTAG_TMS | JTAG_TRST_B | JTAG_TCK | GPIO1_IO02 | UART1_TX_DATA | UART1_RTS_B | UART2_RTS_B |
| JTAG_MOD | JTAG_TDO | GPIO1_IO09 | GPIO1_IO01 | UART1_CTS_B | UART2_CTS_B | UART3_CTS_B |
| CCM_CLK1_N | JTAG_TDI | GPIO1_IO04 | GPIO1_IO07 | UART1_RX_DATA | UART2_RX_DATA | UART3_RX_DATA |
| CCM_CLK1_P | GPIO1_IO08 | GPIO1_IO05 | GPIO1_IO03 | GPIO1_IO06 | UART2_TX_DATA | UART3_TX_DATA |
| P | N | M | L | K | J | H |

Table 92. 14 x 14 mm, 0.8 mm Pitch, Ball Map (continued)

| | U | T | R |
|----|-------------------|------------------|--------------|
| 1 | VSS | DRAM_SDQS1_P | DRAM_DATA15 |
| 2 | DRAM_DATA08 | DRAM_SDQS1_N | DRAM_DATA14 |
| 3 | DRAM_DATA09 | DRAM_DQM1 | VSS |
| 4 | DRAM_DATA07 | DRAM_DATA00 | DRAM_DATA11 |
| 5 | DRAM_DATA10 | DRAM_DATA06 | VSS |
| 6 | DRAM_DATA01 | DRAM_DATA02 | SNVS_TAMPER9 |
| 7 | DRAM_DATA03 | DRAM_DQM0 | VSS |
| 8 | DRAM_DATA04 | DRAM_DATA05 | ONOFF |
| 9 | CCM_PMIC_STBY_REQ | SNVS_PMIC_ON_REQ | SNVS_TAMPER1 |
| 10 | BOOT_MODE1 | BOOT_MODE0 | SNVS_TAMPER0 |
| 11 | RTC_XTALO | RTC_XTALI | VSS |
| 12 | USB_OTG2_VBUS | USB_OTG1_VBUS | VDD_USB_CAP |
| 13 | USB_OTG2_DP | USB_OTG2_DN | GPANAIO |
| 14 | VSS | VSS | VDD_HIGH_CAP |
| 15 | USB_OTG1_DP | USB_OTG1_DN | VDD_HIGH_CAP |
| 16 | USB_OTG1_CHD_B | XTALI | VSS |
| 17 | VSS | XTALO | VSS |
| | U | T | R |

6.2 9 x 9 mm Package Information

6.2.1 9 x 9 mm, 0.5 mm Pitch, Ball Matrix

Figure 71 shows the top, bottom, and side views of the 9 x 9 mm BGA package.



Figure 71. 9 x 9 mm BGA, Case x Package Top, Bottom, and Side Views

i.MX 6ULL Applications Processors for Consumer Products, Rev. 1.1, 05/2017

6.2.2 9 x 9 mm Supplies Contact Assignments and Functional Contact Assignments

Table 93 shows the device connection list for ground, sense, and reference contact signals.

Table 93. 9 x 9 mm Supplies Contact Assignment

| Supply Rail Name | Ball(s) Position(s) | Remark |
|------------------|---|--------|
| ADC_VREFH | N13 | — |
| DRAM_VREF | T1 | — |
| GPANAIO | T11 | — |
| NGND_KEL0 | M10 | — |
| NVCC_CSI | E5 | — |
| NVCC_DRAM | G5, L5, M5, N6 | — |
| NVCC_DRAM_2P5 | K6 | — |
| NVCC_ENET | G13 | — |
| NVCC_GPIO | M13 | — |
| NVCC_LCD | E13 | — |
| NVCC_NAND | E11 | — |
| NVCC_PLL | T13 | — |
| NVCC_SD1 | E7 | — |
| NVCC_UART | L13 | — |
| VDD_ARM_CAP | G9, G10, G11, H9, H10, H11 | — |
| VDD_HIGH_CAP | U11 | — |
| VDD_HIGH_IN | U15 | — |
| VDD_SNVS_CAP | N12 | — |
| VDD_SNVS_IN | P12 | — |
| VDD_SOC_CAP | G7, G8, H7, H8, J7, J8, K7, K8, L7, L8 | — |
| VDD_SOC_IN | J9, J10, J11, K9, K10, K11, L9, L10, L11 | — |
| VDD_USB_CAP | N11 | — |
| VDDA_ADC_3P3 | T17 | — |
| VSS | A2, A7, A12, A17, B1, C15, F1, F3, F8, F10, F17, H6, H12, J3, J15, K12, M1, M3, M8, M17, R3, R9, R12, R15, U1, U6, U13, U17 | — |

Table 94 shows an alpha-sorted list of functional contact assignments for the 9 x 9 mm package.

Table 94. 9 x 9 mm Functional Contact Assignments

| Ball Name | 9x9 Ball | Power Group | Ball Type | Out of Reset Condition | | | |
|-------------------|----------|--------------|-----------|------------------------|--------------------|--------------|------------------|
| | | | | Default Mode | Default Function | Input/Output | Value |
| BOOT_MODE0 | T8 | VDD_SNVS_IN | GPIO | ALT5 | GPIO5_IO10 | Input | 100 kΩ pull-down |
| BOOT_MODE1 | U8 | VDD_SNVS_IN | GPIO | ALT5 | GPIO5_IO11 | Input | 100 kΩ pull-down |
| CCM_CLK1_N | U16 | VDD_HIGH_CAP | LVDS | — | CCM_CLK1_N | — | — |
| CCM_CLK1_P | T16 | VDD_HIGH_CAP | LVDS | — | CCM_CLK1_P | — | — |
| CCM_PMIC_STBY_REQ | U7 | VDD_SNVS_IN | GPIO | ALT0 | CCM_PMIC_VSTBY_REQ | Output | — |
| CSI_DATA00 | C3 | NVCC_CSI | GPIO | ALT5 | GPIO4_IO21 | Input | Keeper |
| CSI_DATA01 | D4 | NVCC_CSI | GPIO | ALT5 | GPIO4_IO22 | Input | Keeper |
| CSI_DATA02 | B2 | NVCC_CSI | GPIO | ALT5 | GPIO4_IO23 | Input | Keeper |
| CSI_DATA03 | D1 | NVCC_CSI | GPIO | ALT5 | GPIO4_IO24 | Input | Keeper |
| CSI_DATA04 | C4 | NVCC_CSI | GPIO | ALT5 | GPIO4_IO25 | Input | Keeper |
| CSI_DATA05 | B3 | NVCC_CSI | GPIO | ALT5 | GPIO4_IO26 | Input | Keeper |
| CSI_DATA06 | A3 | NVCC_CSI | GPIO | ALT5 | GPIO4_IO27 | Input | Keeper |
| CSI_DATA07 | C2 | NVCC_CSI | GPIO | ALT5 | GPIO4_IO28 | Input | Keeper |
| CSI_HSYNC | D2 | NVCC_CSI | GPIO | ALT5 | GPIO4_IO20 | Input | Keeper |
| CSI_MCLK | C1 | NVCC_CSI | GPIO | ALT5 | GPIO4_IO17 | Input | Keeper |
| CSI_PIXCLK | D5 | NVCC_CSI | GPIO | ALT5 | GPIO4_IO18 | Input | Keeper |
| CSI_VSYNC | D3 | NVCC_CSI | GPIO | ALT5 | GPIO4_IO19 | Input | Keeper |
| DRAM_ADDR00 | G1 | NVCC_DRAM | DDR | ALT0 | DRAM_ADDR00 | Output | 100 kΩ pull-up |
| DRAM_ADDR01 | G2 | NVCC_DRAM | DDR | ALT0 | DRAM_ADDR01 | Output | 100 kΩ pull-up |
| DRAM_ADDR02 | H1 | NVCC_DRAM | DDR | ALT0 | DRAM_ADDR02 | Output | 100 kΩ pull-up |
| DRAM_ADDR03 | J2 | NVCC_DRAM | DDR | ALT0 | DRAM_ADDR03 | Output | 100 kΩ pull-up |
| DRAM_ADDR04 | M4 | NVCC_DRAM | DDR | ALT0 | DRAM_ADDR04 | Output | 100 kΩ pull-up |
| DRAM_ADDR05 | H2 | NVCC_DRAM | DDR | ALT0 | DRAM_ADDR05 | Output | 100 kΩ pull-up |
| DRAM_ADDR06 | E4 | NVCC_DRAM | DDR | ALT0 | DRAM_ADDR06 | Output | 100 kΩ pull-up |

Table 94. 9 x 9 mm Functional Contact Assignments (continued)

| | | | | | | | |
|-------------|----|-----------|-----|------|-------------|--------|------------------------|
| DRAM_ADDR07 | J4 | NVCC_DRAM | DDR | ALT0 | DRAM_ADDR07 | Output | 100 k Ω pull-up |
| DRAM_ADDR08 | J5 | NVCC_DRAM | DDR | ALT0 | DRAM_ADDR08 | Output | 100 k Ω pull-up |
| DRAM_ADDR09 | J1 | NVCC_DRAM | DDR | ALT0 | DRAM_ADDR09 | Output | 100 k Ω pull-up |
| DRAM_ADDR10 | M2 | NVCC_DRAM | DDR | ALT0 | DRAM_ADDR10 | Output | 100 k Ω pull-up |
| DRAM_ADDR11 | K5 | NVCC_DRAM | DDR | ALT0 | DRAM_ADDR11 | Output | 100 k Ω pull-up |
| DRAM_ADDR12 | L3 | NVCC_DRAM | DDR | ALT0 | DRAM_ADDR12 | Output | 100 k Ω pull-up |
| DRAM_ADDR13 | H4 | NVCC_DRAM | DDR | ALT0 | DRAM_ADDR13 | Output | 100 k Ω pull-up |
| DRAM_ADDR14 | E3 | NVCC_DRAM | DDR | ALT0 | DRAM_ADDR14 | Output | 100 k Ω pull-up |
| DRAM_ADDR15 | E2 | NVCC_DRAM | DDR | ALT0 | DRAM_ADDR15 | Output | 100 k Ω pull-up |
| DRAM_CAS_B | G4 | NVCC_DRAM | DDR | ALT0 | DRAM_CAS_B | Output | 100 k Ω pull-up |
| DRAM_CS0_B | L1 | NVCC_DRAM | DDR | ALT0 | DRAM_CS0_B | Output | 100 k Ω pull-up |
| DRAM_CS1_B | H5 | NVCC_DRAM | DDR | ALT0 | DRAM_CS1_B | Output | 100 k Ω pull-up |
| DRAM_DATA00 | T3 | NVCC_DRAM | DDR | ALT0 | DRAM_DATA00 | Input | 100 k Ω pull-up |
| DRAM_DATA01 | N5 | NVCC_DRAM | DDR | ALT0 | DRAM_DATA01 | Input | 100 k Ω pull-up |
| DRAM_DATA02 | T4 | NVCC_DRAM | DDR | ALT0 | DRAM_DATA02 | Input | 100 k Ω pull-up |
| DRAM_DATA03 | T5 | NVCC_DRAM | DDR | ALT0 | DRAM_DATA03 | Input | 100 k Ω pull-up |
| DRAM_DATA04 | U5 | NVCC_DRAM | DDR | ALT0 | DRAM_DATA04 | Input | 100 k Ω pull-up |
| DRAM_DATA05 | T6 | NVCC_DRAM | DDR | ALT0 | DRAM_DATA05 | Input | 100 k Ω pull-up |
| DRAM_DATA06 | R4 | NVCC_DRAM | DDR | ALT0 | DRAM_DATA06 | Input | 100 k Ω pull-up |
| DRAM_DATA07 | U3 | NVCC_DRAM | DDR | ALT0 | DRAM_DATA07 | Input | 100 k Ω pull-up |
| DRAM_DATA08 | P1 | NVCC_DRAM | DDR | ALT0 | DRAM_DATA08 | Input | 100 k Ω pull-up |

Table 94. 9 x 9 mm Functional Contact Assignments (continued)

| | | | | | | | |
|---------------|----|-----------|------------|------|---------------|--------|-----------------------------|
| DRAM_DATA09 | U2 | NVCC_DRAM | DDR | ALT0 | DRAM_DATA09 | Input | 100 k Ω pull-up |
| DRAM_DATA10 | P3 | NVCC_DRAM | DDR | ALT0 | DRAM_DATA10 | Input | 100 k Ω pull-up |
| DRAM_DATA11 | R2 | NVCC_DRAM | DDR | ALT0 | DRAM_DATA11 | Input | 100 k Ω pull-up |
| DRAM_DATA12 | P4 | NVCC_DRAM | DDR | ALT0 | DRAM_DATA12 | Input | 100 k Ω pull-up |
| DRAM_DATA13 | N2 | NVCC_DRAM | DDR | ALT0 | DRAM_DATA13 | Input | 100 k Ω pull-up |
| DRAM_DATA14 | N1 | NVCC_DRAM | DDR | ALT0 | DRAM_DATA14 | Input | 100 k Ω pull-up |
| DRAM_DATA15 | P2 | NVCC_DRAM | DDR | ALT0 | DRAM_DATA15 | Input | 100 k Ω pull-up |
| DRAM_DQM0 | U4 | NVCC_DRAM | DDR | ALT0 | DRAM_DQM0 | Output | 100 k Ω pull-up |
| DRAM_DQM1 | R1 | NVCC_DRAM | DDR | ALT0 | DRAM_DQM1 | Output | 100 k Ω pull-up |
| DRAM_ODT0 | K2 | NVCC_DRAM | DDR | ALT0 | DRAM_ODT0 | Output | 100 k Ω pull-down |
| DRAM_ODT1 | E1 | NVCC_DRAM | DDR | ALT0 | DRAM_ODT1 | Output | 100 k Ω pull-down |
| DRAM_RAS_B | L4 | NVCC_DRAM | DDR | ALT0 | DRAM_RAS_B | Output | 100 k Ω pull-up |
| DRAM_RESET | F2 | NVCC_DRAM | DDR | ALT0 | DRAM_RESET | Output | 100 k Ω pull-down |
| DRAM_SDBA0 | H3 | NVCC_DRAM | DDR | ALT0 | DRAM_SDBA0 | Output | 100 k Ω pull-up |
| DRAM_SDBA1 | F5 | NVCC_DRAM | DDR | ALT0 | DRAM_SDBA1 | Output | 100 k Ω pull-up |
| DRAM_SDBA2 | G3 | NVCC_DRAM | DDR | ALT0 | DRAM_SDBA2 | Output | 100 k Ω pull-up |
| DRAM_SDCKE0 | L2 | NVCC_DRAM | DDR | ALT0 | DRAM_SDCKE0 | Output | 100 k Ω pull-down |
| DRAM_SDCKE1 | K1 | NVCC_DRAM | DDR | ALT0 | DRAM_SDCKE1 | Output | 100 k Ω pull-down |
| DRAM_SDCLK0_N | K4 | NVCC_DRAM | DDRC LK | ALT0 | DRAM_SDCLK0_N | Input | 100 k Ω pull-up |
| DRAM_SDCLK0_P | K3 | NVCC_DRAM | DDRC LK | ALT0 | DRAM_SDCLK0_P | Input | 100 k Ω pull-up |
| DRAM_SDQS0_N | R5 | NVCC_DRAM | DDRC LK | ALT0 | DRAM_SDQS0_N | Input | 100 k Ω pull-down |

Table 94. 9 x 9 mm Functional Contact Assignments (continued)

| | | | | | | | |
|----------------|-----|-----------|---------|------|--------------|--------|------------------|
| DRAM_SDQS0_P | P5 | NVCC_DRAM | DDRC LK | ALT0 | DRAM_SDQS0_P | Input | 100 kΩ pull-down |
| DRAM_SDQS1_N | N4 | NVCC_DRAM | DDRC LK | ALT0 | DRAM_SDQS1_P | Input | 100 kΩ pull-down |
| DRAM_SDQS1_P | N3 | NVCC_DRAM | DDRC LK | ALT0 | DRAM_SDQS1_N | Input | 100 kΩ pull-down |
| DRAM_SDWE_B | F4 | NVCC_DRAM | DDR | ALT0 | DRAM_SDWE_B | Output | 100 kΩ pull-up |
| DRAM_ZQPAD | T2 | NVCC_DRAM | GPIO | — | DRAM_ZQPAD | Input | Keeper |
| ENET1_RX_DATA0 | G17 | NVCC_ENET | GPIO | ALT5 | GPIO2_IO0 | Input | Keeper |
| ENET1_RX_DATA1 | F16 | NVCC_ENET | GPIO | ALT5 | GPIO2_IO1 | Input | Keeper |
| ENET1_RX_EN | G16 | NVCC_ENET | GPIO | ALT5 | GPIO2_IO2 | Input | Keeper |
| ENET1_RX_ER | G14 | NVCC_ENET | GPIO | ALT5 | GPIO2_IO7 | Input | Keeper |
| ENET1_TX_CLK | G15 | NVCC_ENET | GPIO | ALT5 | GPIO2_IO6 | Input | Keeper |
| ENET1_TX_DATA0 | E16 | NVCC_ENET | GPIO | ALT5 | GPIO2_IO3 | Input | Keeper |
| ENET1_TX_DATA1 | F13 | NVCC_ENET | GPIO | ALT5 | GPIO2_IO4 | Input | Keeper |
| ENET1_TX_EN | F15 | NVCC_ENET | GPIO | ALT5 | GPIO2_IO5 | Input | Keeper |
| ENET2_RX_DATA0 | E17 | NVCC_ENET | GPIO | ALT5 | GPIO2_IO8 | Input | Keeper |
| ENET2_RX_DATA1 | D17 | NVCC_ENET | GPIO | ALT5 | GPIO2_IO9 | Input | Keeper |
| ENET2_RX_EN | D16 | NVCC_ENET | GPIO | ALT5 | GPIO2_IO10 | Input | Keeper |
| ENET2_RX_ER | H13 | NVCC_ENET | GPIO | ALT5 | GPIO2_IO15 | Input | Keeper |
| ENET2_TX_CLK | H14 | NVCC_ENET | GPIO | ALT5 | GPIO2_IO14 | Input | Keeper |
| ENET2_TX_DATA0 | E14 | NVCC_ENET | GPIO | ALT5 | GPIO2_IO11 | Input | Keeper |
| ENET2_TX_DATA1 | F14 | NVCC_ENET | GPIO | ALT5 | GPIO2_IO12 | Input | Keeper |
| ENET2_TX_EN | E15 | NVCC_ENET | GPIO | ALT5 | GPIO2_IO13 | Input | Keeper |
| GPIO1_IO00 | M14 | NVCC_GPIO | GPIO | ALT5 | GPIO1_IO00 | Input | Keeper |
| GPIO1_IO01 | M15 | NVCC_GPIO | GPIO | ALT5 | GPIO1_IO01 | Input | Keeper |
| GPIO1_IO02 | M16 | NVCC_GPIO | GPIO | ALT5 | GPIO1_IO02 | Input | Keeper |
| GPIO1_IO03 | N16 | NVCC_GPIO | GPIO | ALT5 | GPIO1_IO03 | Input | Keeper |
| GPIO1_IO04 | N17 | NVCC_GPIO | GPIO | ALT5 | GPIO1_IO04 | Input | Keeper |
| GPIO1_IO05 | P15 | NVCC_GPIO | GPIO | ALT5 | GPIO1_IO05 | Input | Keeper |
| GPIO1_IO06 | N15 | NVCC_GPIO | GPIO | ALT5 | GPIO1_IO06 | Input | Keeper |
| GPIO1_IO07 | N14 | NVCC_GPIO | GPIO | ALT5 | GPIO1_IO07 | Input | Keeper |
| GPIO1_IO08 | P14 | NVCC_GPIO | GPIO | ALT5 | GPIO1_IO08 | Input | Keeper |
| GPIO1_IO09 | P16 | NVCC_GPIO | GPIO | ALT5 | GPIO1_IO09 | Input | Keeper |

Table 94. 9 x 9 mm Functional Contact Assignments (continued)

| | | | | | | | |
|-------------|-----|-----------|------|------|------------|--------|----------------|
| JTAG_MOD | R13 | NVCC_GPIO | SJC | ALT0 | SJC_MOD | Input | 100 kΩ pull-up |
| JTAG_TCK | R17 | NVCC_GPIO | SJC | ALT0 | SJC_TCK | Input | 47 kΩ pull-up |
| JTAG_TDI | P17 | NVCC_GPIO | SJC | ALT0 | SJC_TDI | Input | 47 kΩ pull-up |
| JTAG_TDO | R16 | NVCC_GPIO | SJC | ALT0 | SJC_TDO | Output | Keeper |
| JTAG_TMS | R14 | NVCC_GPIO | SJC | ALT0 | SJC_TMS | Input | 47 kΩ pull-up |
| JTAG_TRST_B | P13 | NVCC_GPIO | SJC | ALT0 | SJC_TRSTB | Input | 47 kΩ pull-up |
| LCD_CLK | C11 | NVCC_LCD | GPIO | ALT5 | GPIO3_IO0 | Input | Keeper |
| LCD_DATA00 | D11 | NVCC_LCD | GPIO | ALT5 | GPIO3_IO5 | Input | Keeper |
| LCD_DATA01 | B12 | NVCC_LCD | GPIO | ALT5 | GPIO3_IO6 | Input | Keeper |
| LCD_DATA02 | D10 | NVCC_LCD | GPIO | ALT5 | GPIO3_IO7 | Input | Keeper |
| LCD_DATA03 | B11 | NVCC_LCD | GPIO | ALT5 | GPIO3_IO8 | Input | Keeper |
| LCD_DATA04 | A11 | NVCC_LCD | GPIO | ALT5 | GPIO3_IO9 | Input | Keeper |
| LCD_DATA05 | D12 | NVCC_LCD | GPIO | ALT5 | GPIO3_IO10 | Input | Keeper |
| LCD_DATA06 | D13 | NVCC_LCD | GPIO | ALT5 | GPIO3_IO11 | Input | Keeper |
| LCD_DATA07 | C12 | NVCC_LCD | GPIO | ALT5 | GPIO3_IO12 | Input | Keeper |
| LCD_DATA08 | B13 | NVCC_LCD | GPIO | ALT5 | GPIO3_IO13 | Input | Keeper |
| LCD_DATA09 | A13 | NVCC_LCD | GPIO | ALT5 | GPIO3_IO14 | Input | Keeper |
| LCD_DATA10 | D14 | NVCC_LCD | GPIO | ALT5 | GPIO3_IO15 | Input | Keeper |
| LCD_DATA11 | C13 | NVCC_LCD | GPIO | ALT5 | GPIO3_IO16 | Input | Keeper |
| LCD_DATA12 | C14 | NVCC_LCD | GPIO | ALT5 | GPIO3_IO17 | Input | Keeper |
| LCD_DATA13 | A14 | NVCC_LCD | GPIO | ALT5 | GPIO3_IO18 | Input | Keeper |
| LCD_DATA14 | B14 | NVCC_LCD | GPIO | ALT5 | GPIO3_IO19 | Input | Keeper |
| LCD_DATA15 | A16 | NVCC_LCD | GPIO | ALT5 | GPIO3_IO20 | Input | Keeper |
| LCD_DATA16 | A15 | NVCC_LCD | GPIO | ALT5 | GPIO3_IO21 | Input | Keeper |
| LCD_DATA17 | D15 | NVCC_LCD | GPIO | ALT5 | GPIO3_IO22 | Input | Keeper |
| LCD_DATA18 | B15 | NVCC_LCD | GPIO | ALT5 | GPIO3_IO23 | Input | Keeper |
| LCD_DATA19 | E12 | NVCC_LCD | GPIO | ALT5 | GPIO3_IO24 | Input | Keeper |
| LCD_DATA20 | B17 | NVCC_LCD | GPIO | ALT5 | GPIO3_IO25 | Input | Keeper |
| LCD_DATA21 | C16 | NVCC_LCD | GPIO | ALT5 | GPIO3_IO26 | Input | Keeper |
| LCD_DATA22 | B16 | NVCC_LCD | GPIO | ALT5 | GPIO3_IO27 | Input | Keeper |
| LCD_DATA23 | C17 | NVCC_LCD | GPIO | ALT5 | GPIO3_IO28 | Input | Keeper |

Table 94. 9 x 9 mm Functional Contact Assignments (continued)

| | | | | | | | |
|--------------|-----|----------------------|------------|------|-------------|-------|----------------|
| LCD_ENABLE | A10 | NVCC_LCD | GPIO | ALT5 | GPIO3_IO1 | Input | Keeper |
| LCD_HSYNC | B10 | NVCC_LCD | GPIO | ALT5 | GPIO3_IO2 | Input | Keeper |
| LCD_RESET | E10 | NVCC_LCD | GPIO | ALT5 | GPIO3_IO4 | Input | Keeper |
| LCD_VSYNC | C10 | NVCC_LCD | GPIO | ALT5 | GPIO3_IO3 | Input | Keeper |
| NAND_ALE | D8 | NVCC_NAND | GPIO | ALT5 | GPIO4_IO10 | Input | Keeper |
| NAND_CE0_B | E8 | NVCC_NAND | GPIO | ALT5 | GPIO4_IO13 | Input | Keeper |
| NAND_CE1_B | B6 | NVCC_NAND | GPIO | ALT5 | GPIO4_IO14 | Input | Keeper |
| NAND_CLE | B7 | NVCC_NAND | GPIO | ALT5 | GPIO4_IO15 | Input | Keeper |
| NAND_DATA00 | D7 | NVCC_NAND | GPIO | ALT5 | GPIO4_IO2 | Input | Keeper |
| NAND_DATA01 | A9 | NVCC_NAND | GPIO | ALT5 | GPIO4_IO3 | Input | Keeper |
| NAND_DATA02 | C9 | NVCC_NAND | GPIO | ALT5 | GPIO4_IO4 | Input | Keeper |
| NAND_DATA03 | C7 | NVCC_NAND | GPIO | ALT5 | GPIO4_IO5 | Input | Keeper |
| NAND_DATA04 | C8 | NVCC_NAND | GPIO | ALT5 | GPIO4_IO6 | Input | Keeper |
| NAND_DATA05 | A6 | NVCC_NAND | GPIO | ALT5 | GPIO4_IO7 | Input | Keeper |
| NAND_DATA06 | B9 | NVCC_NAND | GPIO | ALT5 | GPIO4_IO8 | Input | Keeper |
| NAND_DATA07 | B8 | NVCC_NAND | GPIO | ALT5 | GPIO4_IO9 | Input | Keeper |
| NAND_DQS | E6 | NVCC_NAND | GPIO | ALT5 | GPIO4_IO16 | Input | Keeper |
| NAND_RE_B | D9 | NVCC_NAND | GPIO | ALT5 | GPIO4_IO0 | Input | Keeper |
| NAND_READY_B | E9 | NVCC_NAND | GPIO | ALT5 | GPIO4_IO12 | Input | Keeper |
| NAND_WE_B | A8 | NVCC_NAND | GPIO | ALT5 | GPIO4_IO1 | Input | Keeper |
| NAND_WP_B | D6 | NVCC_NAND | GPIO | ALT5 | GPIO4_IO11 | Input | Keeper |
| ONOFF | R6 | VDD_SNVS_IN | SRC | ALT0 | SRC_RESET_B | Input | 100 kΩ pull-up |
| POR_B | R10 | VDD_SNVS_IN | SRC | ALT0 | SRC_POR_B | Input | 100 kΩ pull-up |
| RTC_XTALI | T12 | VDD_SNVS_C A P | ANAL OG | — | RTC_XTALI | — | — |
| RTC_XTALO | U12 | VDD_SNVS_C A P | ANAL OG | — | RTC_XTALO | — | — |
| SD1_CLK | C5 | NVCC_SD | GPIO | ALT5 | GPIO2_IO17 | Input | Keeper |
| SD1_CMD | C6 | NVCC_SD | GPIO | ALT5 | GPIO2_IO16 | Input | Keeper |
| SD1_DATA0 | A5 | NVCC_SD | GPIO | ALT5 | GPIO2_IO18 | Input | Keeper |
| SD1_DATA1 | A4 | NVCC_SD | GPIO | ALT5 | GPIO2_IO19 | Input | Keeper |
| SD1_DATA2 | B5 | NVCC_SD | GPIO | ALT5 | GPIO2_IO20 | Input | Keeper |
| SD1_DATA3 | B4 | NVCC_SD | GPIO | ALT5 | GPIO2_IO21 | Input | Keeper |

Table 94. 9 x 9 mm Functional Contact Assignments (continued)

| | | | | | | | |
|------------------|-----|-------------|------|------|--------------------------------------|--------|-------------------------------------|
| SNVS_PMIC_ON_REQ | T7 | VDD_SNVS_IN | GPIO | ALT0 | SNVS_PMIC_ON_REQ | Output | 100 kΩ pull-up |
| SNVS_TAMPER0 | R8 | VDD_SNVS_IN | GPIO | ALT5 | GPIO5_IO00/SNVS_TAMPER0 ¹ | Input | Keeper ^{1,2} |
| SNVS_TAMPER1 | P6 | VDD_SNVS_IN | GPIO | ALT5 | GPIO5_IO01/SNVS_TAMPER1 ¹ | Input | Keeper/Not connected ^{1,2} |
| SNVS_TAMPER2 | N10 | VDD_SNVS_IN | GPIO | ALT5 | GPIO5_IO02/SNVS_TAMPER2 ¹ | Input | Keeper/Not connected ^{1,2} |
| SNVS_TAMPER3 | P10 | VDD_SNVS_IN | GPIO | ALT5 | GPIO5_IO03/SNVS_TAMPER3 ¹ | Input | Keeper/Not connected ^{1,2} |
| SNVS_TAMPER4 | P7 | VDD_SNVS_IN | GPIO | ALT5 | GPIO5_IO04/SNVS_TAMPER4 ¹ | Input | Keeper/Not connected ^{1,2} |
| SNVS_TAMPER5 | P8 | VDD_SNVS_IN | GPIO | ALT5 | GPIO5_IO05/SNVS_TAMPER5 ¹ | Input | Keeper/Not connected ^{1,2} |
| SNVS_TAMPER6 | R7 | VDD_SNVS_IN | GPIO | ALT5 | GPIO5_IO06/SNVS_TAMPER6 ¹ | Input | Keeper/Not connected ^{1,2} |
| SNVS_TAMPER7 | N9 | VDD_SNVS_IN | GPIO | ALT5 | GPIO5_IO07/SNVS_TAMPER7 ¹ | Input | Keeper/Not connected ^{1,2} |
| SNVS_TAMPER8 | N8 | VDD_SNVS_IN | GPIO | ALT5 | GPIO5_IO08/SNVS_TAMPER8 ¹ | Input | Keeper/Not connected ^{1,2} |
| SNVS_TAMPER9 | P9 | VDD_SNVS_IN | GPIO | ALT5 | GPIO5_IO09/SNVS_TAMPER9 ¹ | Input | Keeper/Not connected ^{1,2} |
| TEST_MODE | N7 | VDD_SNVS_IN | TCU | ALT0 | TCU_TEST_MODE | Input | Keeper |
| UART1_CTS_B | L14 | NVCC_UART | GPIO | ALT5 | GPIO1_IO18 | Input | Keeper |
| UART1_RTS_B | K14 | NVCC_UART | GPIO | ALT5 | GPIO1_IO19 | Input | Keeper |
| UART1_RX_DATA | L17 | NVCC_UART | GPIO | ALT5 | GPIO1_IO17 | Input | Keeper |
| UART1_TX_DATA | L15 | NVCC_UART | GPIO | ALT5 | GPIO1_IO16 | Input | Keeper |

Table 94. 9 x 9 mm Functional Contact Assignments (continued)

| | | | | | | | |
|----------------|-----|-------------|-------------------|------|----------------|-------|--------|
| UART2_CTS_B | J17 | NVCC_UART | GPIO | ALT5 | GPIO1_IO22 | Input | Keeper |
| UART2_RTS_B | J14 | NVCC_UART | GPIO | ALT5 | GPIO1_IO23 | Input | Keeper |
| UART2_RX_DATA | K16 | NVCC_UART | GPIO | ALT5 | GPIO1_IO21 | Input | Keeper |
| UART2_TX_DATA | L16 | NVCC_UART | GPIO | ALT5 | GPIO1_IO20 | Input | Keeper |
| UART3_CTS_B | H16 | NVCC_UART | GPIO | ALT5 | GPIO1_IO26 | Input | Keeper |
| UART3_RTS_B | H15 | NVCC_UART | GPIO | ALT5 | GPIO1_IO27 | Input | Keeper |
| UART3_RX_DATA | K15 | NVCC_UART | GPIO | ALT5 | GPIO1_IO25 | Input | Keeper |
| UART3_TX_DATA | K17 | NVCC_UART | GPIO | ALT5 | GPIO1_IO24 | Input | Keeper |
| UART4_RX_DATA | H17 | NVCC_UART | GPIO | ALT5 | GPIO1_IO29 | Input | Keeper |
| UART4_TX_DATA | J16 | NVCC_UART | GPIO | ALT5 | GPIO1_IO28 | Input | Keeper |
| UART5_RX_DATA | J13 | NVCC_UART | GPIO | ALT5 | GPIO1_IO31 | Input | Keeper |
| UART5_TX_DATA | K13 | NVCC_UART | GPIO | ALT5 | GPIO1_IO30 | Input | Keeper |
| USB_OTG1_CHD_B | T15 | OPEN DRAIN | GPIO | — | USB_OTG1_CHD_B | — | — |
| USB_OTG1_DN | R11 | VDD_USB_CAP | ANAL OG | — | USB_OTG1_DN | — | — |
| USB_OTG1_DP | P11 | VDD_USB_CAP | ANAL OG | — | USB_OTG1_DP | — | — |
| USB_OTG1_VBUS | T9 | USB_VBUS | VBUS POWE R | — | USB_OTG1_VBUS | — | — |
| USB_OTG2_DN | T10 | VDD_USB_CAP | ANAL OG | — | USB_OTG2_DN | — | — |
| USB_OTG2_DP | U10 | VDD_USB_CAP | ANAL OG | — | USB_OTG2_DP | — | — |
| USB_OTG2_VBUS | U9 | USB_VBUS | VBUS POWE R | — | USB_OTG2_VBUS | — | — |
| XTALI | T14 | NVCC_PLL | ANAL OG | — | XTALI | — | — |
| XTALO | U14 | NVCC_PLL | ANAL OG | — | XTALO | — | — |

¹ SNVS_TAMPER0 to SNVS_TAMPER9 can be configured as GPIO or tamper detection pin, it is depending on the fuse setting TAMPER_PIN_DISABLE[1:0]. When the pad is configured as GPIO, the value is keeper out of reset.

² SNVS_TAMPER0 to SNVS_TAMPER9 is input unconnected in the following conditions.

—SNVS low power mode when configured as GPIO

—Tamper functions are not used when configured as TAMPER detection pins

It is required to connect external 1M Ohm pull-up or pull-down resistors to the pad to avoid the undesired leakage under two conditions above.

6.2.3 9 x 9 mm, 0.5 mm Pitch, Ball Map

Table 95 shows the 9 x 9 mm, 0.5 mm pitch ball map for the i.MX 6ULL.

Table 95. 9x9 mm, 0.5 mm Pitch, Ball Map

| G | F | E | D | C | B | A |
|----------------|----------------|----------------|----------------|-------------|-------------|-------------|
| DRAM_ADDR00 | VSS | DRAM_ODT1 | CSI_DATA03 | CSI_MCLK | VSS | 1 |
| DRAM_ADDR01 | DRAM_RESET | DRAM_ADDR15 | CSI_HSYNC | CSI_DATA07 | CSI_DATA02 | VSS |
| DRAM_SDBA2 | VSS | DRAM_ADDR14 | CSI_VSYNC | CSI_DATA00 | CSI_DATA05 | CSI_DATA06 |
| DRAM_CAS_B | DRAM_SDWE_B | DRAM_ADDR06 | CSI_DATA01 | CSI_DATA04 | SD1_DATA3 | SD1_DATA1 |
| NVCC_DRAM | DRAM_SDBA1 | NVCC_CSI | CSI_PIXCLK | SD1_CLK | SD1_DATA2 | SD1_DATA0 |
| | | NAND_DQS | NAND_WP_B | SD1_CMD | NAND_CE1_B | NAND_DATA05 |
| VDD_SOC_CAP | | NVCC_SD1 | NAND_DATA00 | NAND_DATA03 | NAND_CLE | VSS |
| VDD_SOC_CAP | VSS | NAND_CE0_B | NAND_ALE | NAND_DATA04 | NAND_DATA07 | NAND_WEB |
| VDD_ARM_CAP | | NAND_READY_B | NAND_RE_B | NAND_DATA02 | NAND_DATA06 | NAND_DATA01 |
| VDD_ARM_CAP | VSS | LCD_RESET | LCD_DATA02 | LCD_VSYNC | LCD_HSYNC | LCD_ENABLE |
| VDD_ARM_CAP | | NVCC_NAND | LCD_DATA00 | LCD_CLK | LCD_DATA03 | LCD_DATA04 |
| | | LCD_DATA19 | LCD_DATA05 | LCD_DATA07 | LCD_DATA01 | VSS |
| NVCC_ENET | ENET1_TX_DATA1 | NVCC_LCD | LCD_DATA06 | LCD_DATA11 | LCD_DATA08 | LCD_DATA09 |
| ENET1_RX_ER | ENET2_TX_DATA1 | ENET2_TX_DATA0 | LCD_DATA10 | LCD_DATA12 | LCD_DATA14 | LCD_DATA13 |
| ENET1_TX_CLK | ENET1_TX_EN | ENET2_TX_EN | LCD_DATA17 | VSS | LCD_DATA18 | LCD_DATA16 |
| ENET1_RX_EN | ENET1_RX_DATA1 | ENET1_TX_DATA0 | ENET2_RX_EN | LCD_DATA21 | LCD_DATA22 | LCD_DATA15 |
| ENET1_RX_DATA0 | VSS | ENET2_RX_DATA0 | ENET2_RX_DATA1 | LCD_DATA23 | LCD_DATA20 | VSS |
| G | F | E | D | C | B | A |

Table 95. 9x9 mm, 0.5 mm Pitch, Ball Map (continued)

| P | N | M | L | K | J | H |
|--------------|--------------|-------------|---------------|---------------|---------------|---------------|
| DRAM_DATA08 | DRAM_DATA14 | VSS | DRAM_CS0_B | DRAM_SDCKE1 | DRAM_ADDR09 | DRAM_ADDR02 |
| DRAM_DATA15 | DRAM_DATA13 | DRAM_ADDR10 | DRAM_SDCKE0 | DRAM_ODT0 | DRAM_ADDR03 | DRAM_ADDR05 |
| DRAM_DATA10 | DRAM_SDQS1_P | VSS | DRAM_ADDR12 | DRAM_SDCLK0_P | VSS | DRAM_SDBA0 |
| DRAM_DATA12 | DRAM_SDQS1_N | DRAM_ADDR04 | DRAM_RAS_B | DRAM_SDCLK0_N | DRAM_ADDR07 | DRAM_ADDR13 |
| DRAM_SDQS0_P | DRAM_DATA01 | NVCC_DRAM | NVCC_DRAM | DRAM_ADDR11 | DRAM_ADDR08 | DRAM_CSI_B |
| SNVS_TAMPER1 | NVCC_DRAM | | | NVCC_DRAM_2P5 | | VSS |
| SNVS_TAMPER4 | TEST_MODE | | VDD_SOC_CAP | VDD_SOC_CAP | VDD_SOC_CAP | VDD_SOC_CAP |
| SNVS_TAMPER5 | SNVS_TAMPER8 | VSS | VDD_SOC_CAP | VDD_SOC_CAP | VDD_SOC_CAP | VDD_SOC_CAP |
| SNVS_TAMPER9 | SNVS_TAMPER7 | | VDD_SOC_IN | VDD_SOC_IN | VDD_SOC_IN | VDD_ARM_CAP |
| SNVS_TAMPER3 | SNVS_DAMPER2 | NGND_KEL0 | VDD_SOC_IN | VDD_SOC_IN | VDD_SOC_IN | VDD_ARM_CAP |
| USB_OTG1_DP | VDD_USB_CAP | | VDD_SOC_IN | VDD_SOC_IN | VDD_SOC_IN | VDD_ARM_CAP |
| VDD_SNVS_IN | VDD_SNVS_CAP | | | VSS | | VSS |
| JTAG_TRST_B | ADC_VREFH | NVCC_GPIO | NVCC_UART | UART5_TX_DATA | UART5_RX_DATA | ENET2_RX_ER |
| GPIO1_IO08 | GPIO1_IO07 | GPIO1_IO00 | UART1_CTS_B | UART1_RTS_B | UART2_RTS_B | ENET2_TX_CLK |
| GPIO1_IO05 | GPIO1_IO06 | GPIO1_IO01 | UART1_TX_DATA | UART3_RX_DATA | VSS | UART3_RTS_B |
| GPIO1_IO09 | GPIO1_IO03 | GPIO1_IO02 | UART2_TX_DATA | UART2_RX_DATA | UART4_TX_DATA | UART3_CTS_B |
| JTAG_TDI | GPIO1_IO04 | VSS | UART1_RX_DATA | UART3_TX_DATA | UART2_CTS_B | UART4_RX_DATA |
| P | N | M | L | K | J | H |

Table 95. 9x9 mm, 0.5 mm Pitch, Ball Map (continued)

| | U | T | R |
|----|-------------------|------------------|--------------|
| 1 | VSS | DRAM_VREF | DRAM_DM1 |
| 2 | DRAM_DATA09 | DRAM_ZQPAD | DRAM_DATA11 |
| 3 | DRAM_DATA07 | DRAM_DATA00 | VSS |
| 4 | DRAM_DQM0 | DRAM_DATA02 | DRAM_DATA06 |
| 5 | DRAM_DATA04 | DRAM_DATA03 | DRAM_SDQS0_N |
| 6 | VSS | DRAM_DATA05 | ONOFF |
| 7 | CCM_PMIC_STBY_REQ | SNVS_PMIC_ON_REQ | SNVS_TAMPER6 |
| 8 | BOOT_MODE1 | BOOT_MODE0 | SNVS_TAMPER0 |
| 9 | USB_OTG2_VBUS | USB_OTG1_VBUS | VSS |
| 10 | USB_OTG2_DP | USB_OTG2_DN | POR_B |
| 11 | VDD_HIGH_CAP | GPANAIO | USB_OTG1_DN |
| 12 | RTC_XTALO | RTC_XTALI | VSS |
| 13 | VSS | NVCC_PLL | JTAG_MOD |
| 14 | XTALO | XTALI | JTAG_TMS |
| 15 | VDD_HIGH_IN | USB_OTG1_CHD_B | VSS |
| 16 | CCM_CLK1_N | CCM_CLK1_P | JTAG_TDO |
| 17 | VSS | VDDA_ADC_3P3 | JTAG_TCK |
| | U | T | R |

7 Revision History

Table 96 provides a revision history for this data sheet.

Table 96. i.MX 6ULL Data Sheet Document Revision History

| Rev. Number | Date | Substantive Change(s) |
|-------------|---------|---|
| 0 | 09/2016 | <ul style="list-style-type: none"> Initial public release |
| 1 | 04/2017 | <ul style="list-style-type: none"> Added two new part numbers in the Table 1, "Ordering Information" Updated the Part differentiator number 3 to Reserved, removed 300 MHz from frequency, and added 900 MHz in the Figure 1, "Part Number Nomenclature—i.MX 6ULL" Updated the DDR I/O supply voltage and added a table not in the Table 7, "Absolute Maximum Ratings" Updated Table 10, "Operating Ranges" Added Max. current for VDD_SOC_IN at 900 MHz in the Table 13, "Maximum Supply Currents" Updated the LDO_2P5 of the LOW POWER IDLE: LDO Bypassed row in the Table 15, "Low Power Mode Current and Power Consumption" Updated the Figure 18, "Asynchronous A/D Muxed Write Access" Added a new Section 4.12.9.1, "LCDIF Signal Mapping" Added a note in the Section 4.2.1, "Power-Up Sequence" Updated VDD_HIGH_CAP pin assignment in the Table 90, "14 x 14 mm Supplies Contact Assignment" Updated VDD_HIGH_CAP pin name in the Table 92, "14 x 14 mm, 0.8 mm Pitch, Ball Map" |
| 1.1 | 05/2017 | <ul style="list-style-type: none"> Changed terminology from "floating" to "not connected" Changed the LV-DDR3 to DDR3L in the Section 1.2, "Features" Added a footnote regarding maximum voltage allowance in the Table 7, "Absolute Maximum Ratings" Updated the minimum value of VDD_SOC_CAP in the Low Power Run Mode: LDO Enabled from the Table 10, "Operating Ranges" Removed the LPSR mode in the Section 4.1.6, "Power Modes" Removed a note in the Section 4.2.1, "Power-Up Sequence" Replaced the MMDC compatible information with a cross reference in the Section 4.6.3, "DDR I/O DC Parameters" and Section 4.7.2, "DDR I/O AC Parameters" Removed the Section 4.9.4, "DDR SDRAM Specific Parameters (DDR3 and LPDDR2)" Added a new Section 4.10, "Multi-Mode DDR Controller (MMDC)" Changed SD3 min to 1.7 ns in the Table 51, "eMMC4.4/4.41 Interface Timing Specification" |



How to Reach Us:

Home Page:

nxp.com

Web Support:

nxp.com/support

Information in this document is provided solely to enable system and software implementers to use NXP products. There are no express or implied copyright licenses granted hereunder to design or fabricate any integrated circuits based on the information in this document. NXP reserves the right to make changes without further notice to any products herein.

NXP makes no warranty, representation, or guarantee regarding the suitability of its products for any particular purpose, nor does NXP assume any liability arising out of the application or use of any product or circuit, and specifically disclaims any and all liability, including without limitation consequential or incidental damages. "Typical" parameters that may be provided in NXP data sheets and/or specifications can and do vary in different applications, and actual performance may vary over time. All operating parameters, including "typicals" must be validated for each customer application by customer, customer's technical experts. NXP does not convey any license under its patent rights nor the rights of others. NXP sells products pursuant to standard terms and conditions of sale, which can be found at the following address:

nxp.com/SalesTermsandConditions.

NXP, the NXP logo, Freescale, the Freescale logo, and the Energy Efficient Solutions logo are trademarks of NXP B.V. All other product or service names are the property of their respective owners. ARM, the ARM Powered logo, and Cortex are trademarks of ARM Limited (or its subsidiaries) in the EU and/or elsewhere. All rights reserved.

© 2016-2017 NXP B.V.

Document Number: IMX6ULLCEC

Rev. 1.1

05/2017

